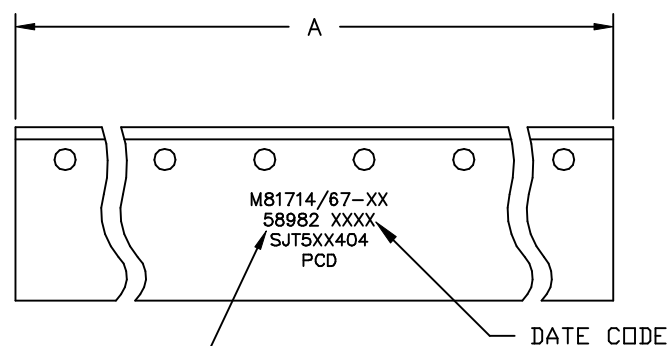
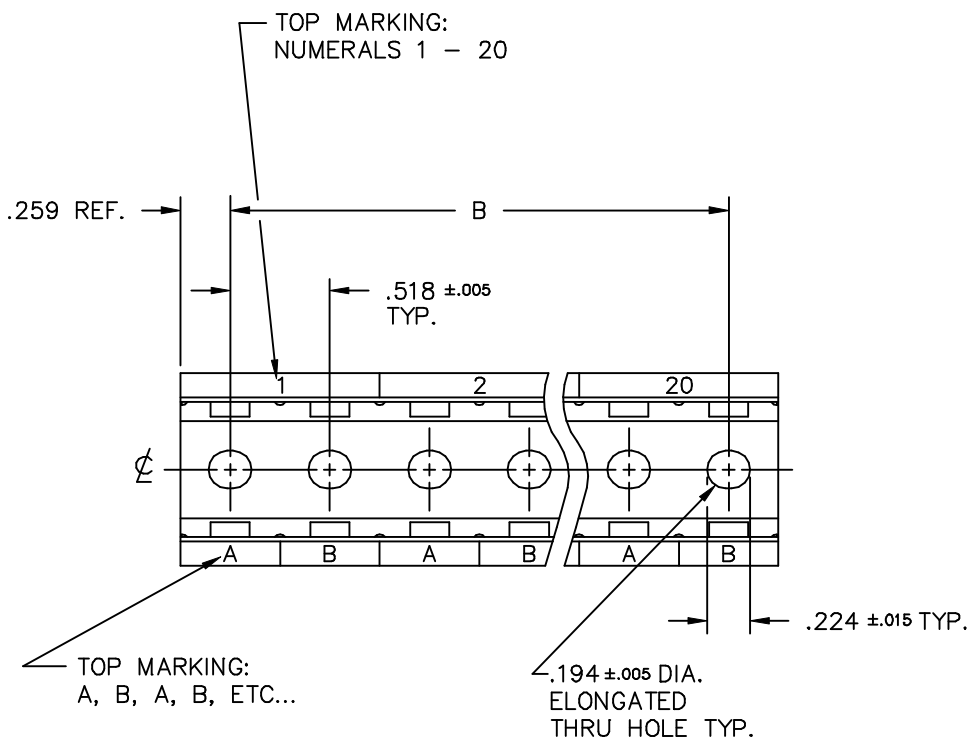


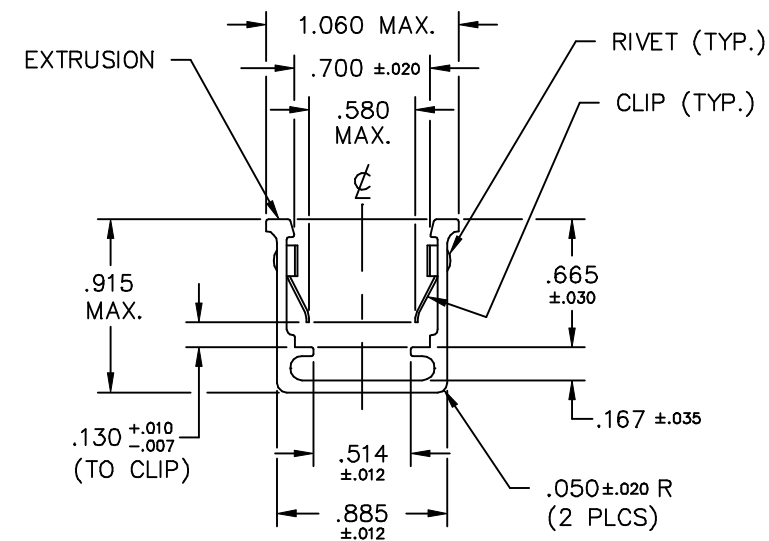
SJT502404

PCD PART NO.	MILITARY PART NO.	QUANTITY OF MODULES PER RAIL (SIZES 16, 20 & 22)	A ±.015	B ±.015
SJT502404	M81714/67-02	2	1.036	.518
SJT503404	M81714/67-03	3	1.554	1.036
SJT504404	M81714/67-04	4	2.072	1.554
SJT505404	M81714/67-05	5	2.590	2.072
SJT506404	M81714/67-06	6	3.108	2.590
SJT507404	M81714/67-07	7	3.626	3.108
SJT508404	M81714/67-08	8	4.144	3.626
SJT509404	M81714/67-09	9	4.662	4.144
SJT510404	M81714/67-10	10	5.180	4.662
SJT512404	M81714/67-12	12	6.216	5.698
SJT513404	M81714/67-13	13	6.734	6.216
SJT514404	M81714/67-14	14	7.252	6.734
SJT515404	M81714/67-15	15	7.770	7.252
SJT516404	M81714/67-16	16	8.288	7.770
SJT518404	M81714/67-18	18	9.324	8.806
SJT519404	M81714/67-19	19	9.842	9.324
SJT520404	M81714/67-20	20	10.360	9.842
SJT521404	M81714/67-21	21	10.875	10.360
SJT525404	M81714/67-25	25	12.950	12.432
SJT530404	M81714/67-30	30	15.540	15.022
SJT532404	M81714/67-32	32	16.576	16.058
SJT540404	M81714/67-40	40	20.720	20.202

REV	ECN	DESCRIPTION	APP'D
-	1357	RELEASE	
A	2493	CHANGE MARKING; REFORMAT	



MARKING (CENTERED ON PART)  
.062 HIGH CHARACTERS:



NOTES:

- PART SHALL MEET ALL REQUIREMENTS OF MIL-T-81714/67.
- MATERIALS:
  - EXTRUSION - ALUMINUM ALLOY 6061-T4, BLACK ANODIZED IN ACCORDANCE WITH MIL-A-8625.
  - CLIP - CORROSION RESISTANT STEEL IN ACCORDANCE WITH MIL-S-25043.
  - RIVET - CORROSION RESISTANT STEEL IN ACCORDANCE WITH QQ-S-766.
- MARKINGS ARE FLUSH WITH SURFACES; COLOR - WHITE.
- RACKS ACCEPT BLOCKS (MODULES) PER MIL-T-81714 SERIES II; PCD SJ SERIES.
- QUANTITY OF SIZE 12 BLOCKS PER RACK IS HALF THE QUANTITY OF SIZE 16, 20 & 22 BLOCKS (SEE TABLE).
- BLOCK REMOVAL TOOLS (REQUIRED TO REMOVE BLOCKS FROM RACK - SUPPLIED SEPARATELY).
  - SIZES 16, 20 & 22 - MILITARY P/N M81714/69-01; PCD P/N CNA051300.
  - SIZE 12 - MILITARY P/N M81714/69-02; PCD P/N CNA052300.

APPLIES TO ALL PCD P/N SJT5XX404

DIMENSIONS ANSI Y14.5M UNITS: INCHES CRITICAL: ◆	TOLERANCES .XX ±.01 .XXX ±.005 ANGLES ±2°	PROJECTION 	REFERENCE SPECIFICATION MIL-T-81714/67		TITLE SOCKET JUNCTION TRACK -MILITARY STYLE-	
ORIGINAL NOT FOR CUSTOMER DISTRIBUTION	THIS DOCUMENT CONTAINS PROPRIETARY INFORMATION WHICH IS THE CONFIDENTIAL PROPERTY OF PCD, INC. PEABODY, MA, USA		DRWN M. CALLA 8-18-88		SIZE B	DWG NO. SJT502404
AW-1004			ENGR J. RUTKOWSKI	CODE: 58982	SCALE: 1X	SHEET 1 OF 1
			APPD			

SJT502404

SJT502404