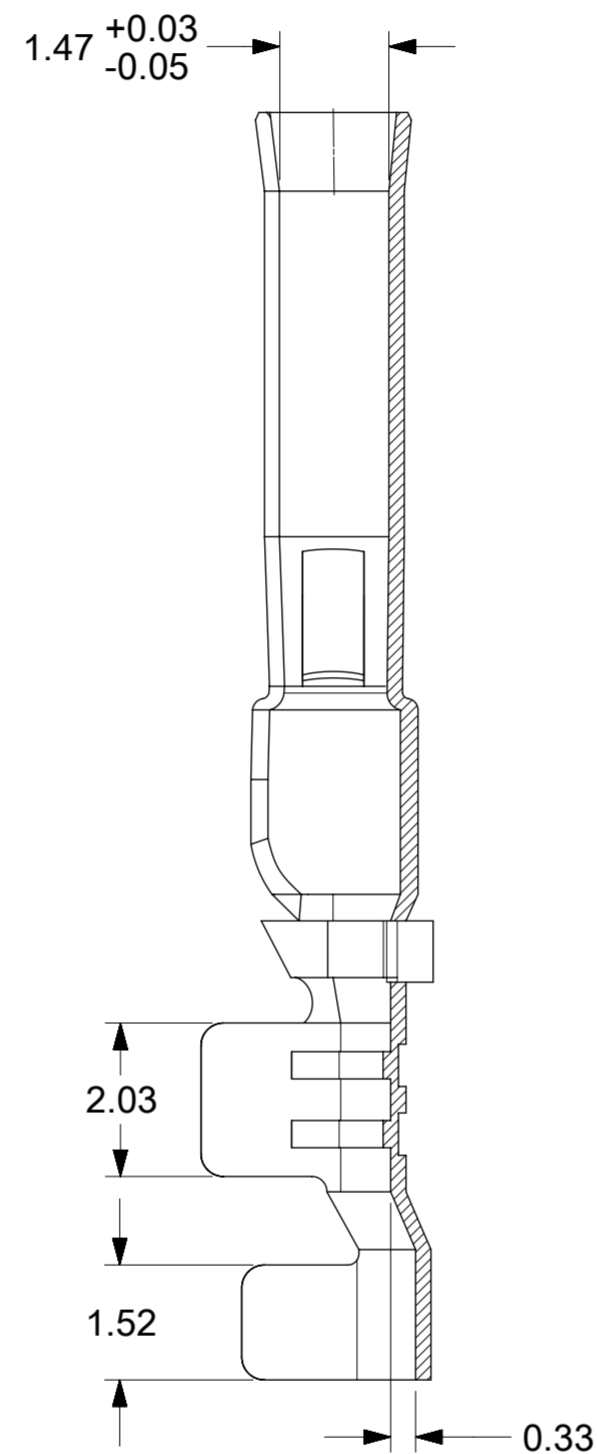
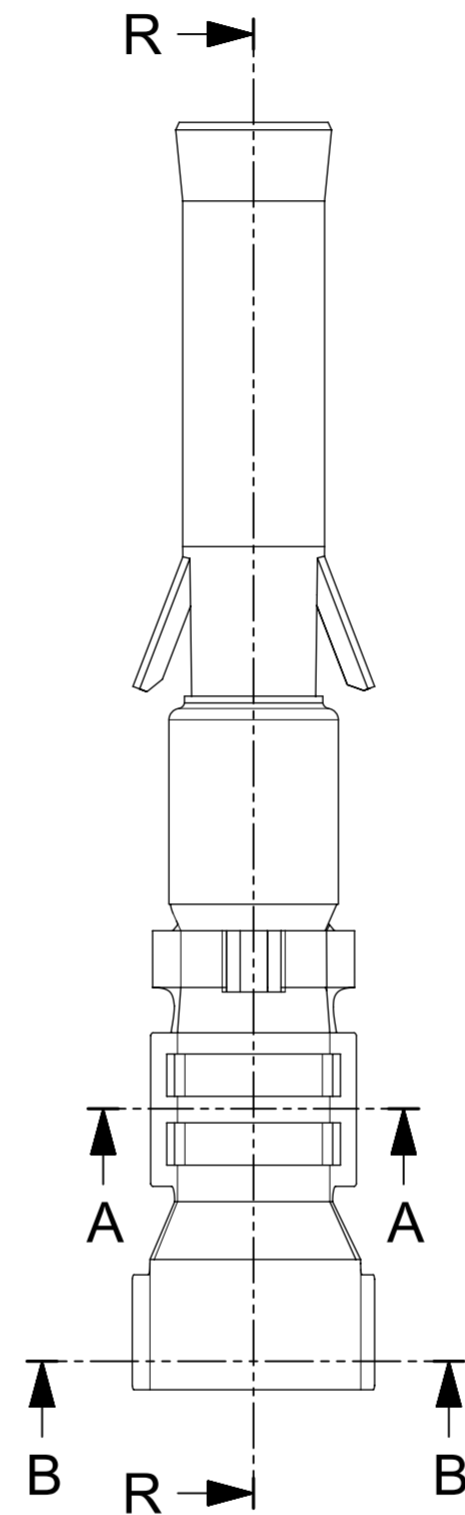


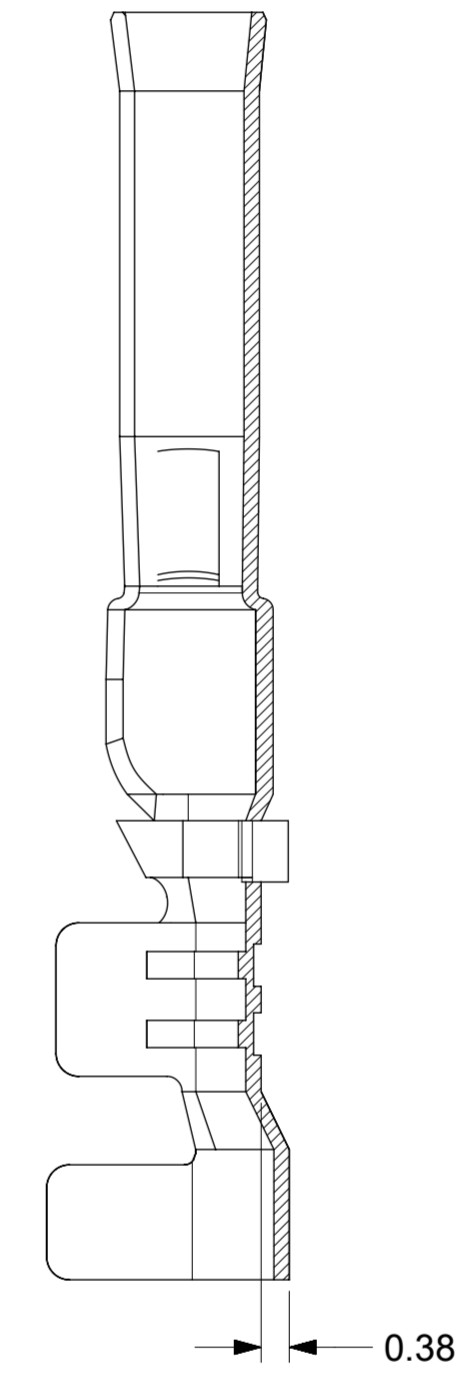
16-18 AWG TERMINAL



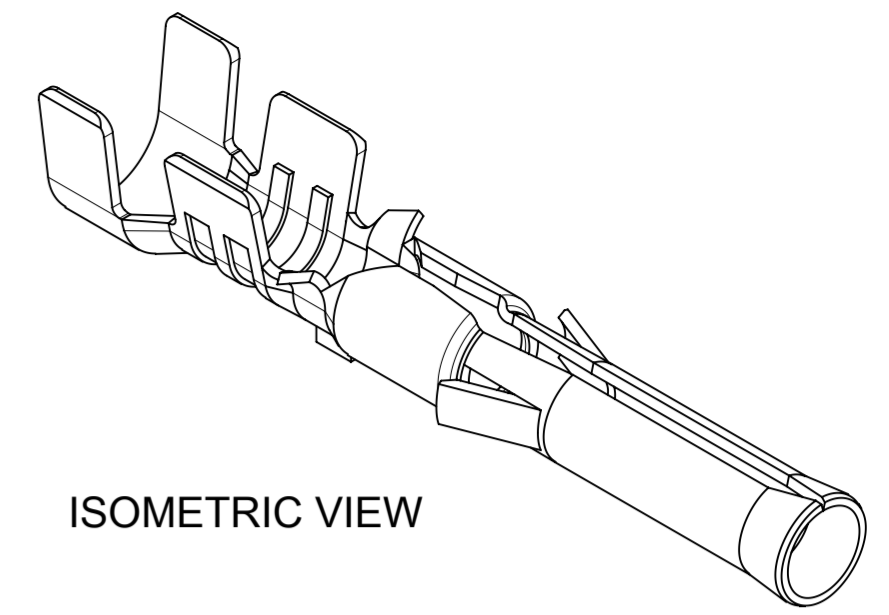
SECTION W-W



16 AWG TERMINAL



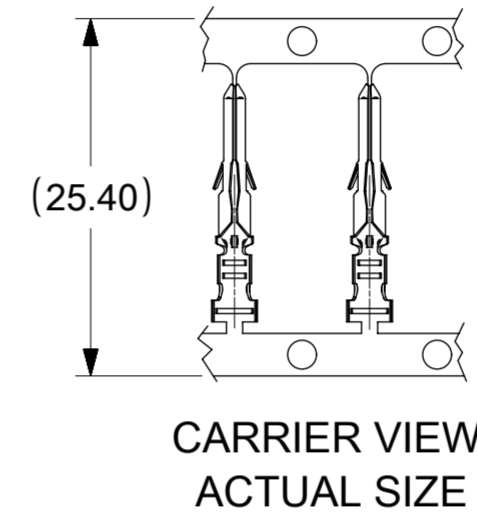
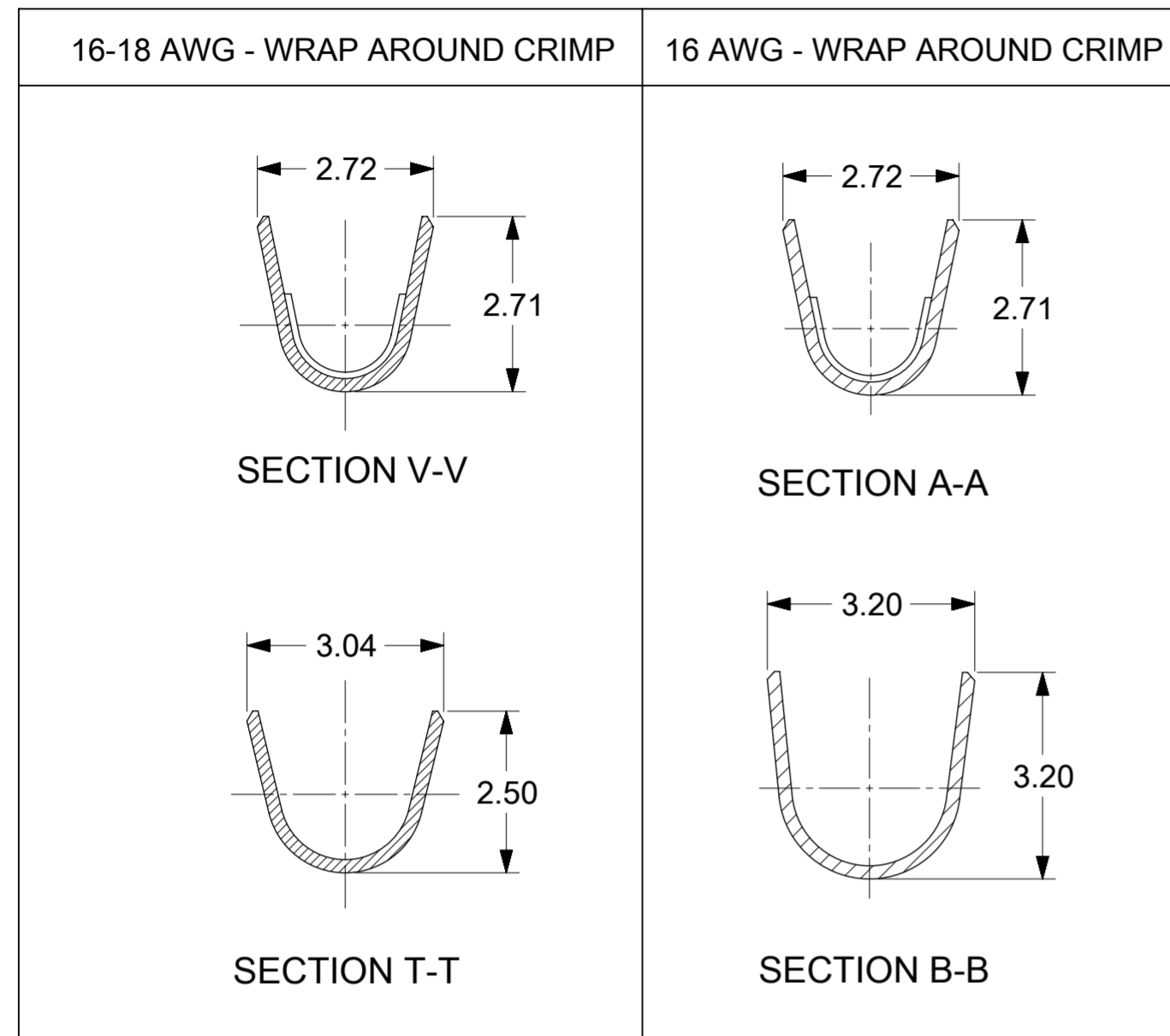
SECTION R-R



ISOMETRIC VIEW

THIS DRAWING CONTAINS INFORMATION THAT IS PROPRIETARY TO MOLEX ELECTRONIC TECHNOLOGIES, LLC AND SHOULD NOT BE USED WITHOUT WRITTEN PERMISSION											
RE-MASTERED IN ELECTRICAL EC NO: 112874 DRWN: ISHWARG CHKD: KPRASAD APP: KPRASAD	2017/01/23	2017/01/27	GENERAL TOLERANCES (UNLESS SPECIFIED)		DIMENSION UNITS	SCALE					
			ANGULAR TOL ± 0.5 °		MM	10:1					
	4 PLACES	±			DRWN BY	DATE	VALUSEAL FEMALE TERMINAL 16-18 & 20-22 AWG				
	3 PLACES	±			SS06	2015/02/27					
	2 PLACES	±	0.25			CHK'D BY	DATE	PRODUCT CUSTOMER DRAWING			
1 PLACE	±	0.35			ISHWARG	2016/07/06					
0 PLACES	±				APPR BY	DATE	SERIES: 173042 MATERIAL NUMBER: SEE TABLE CUSTOMER: GENERAL MARKET				
DRAFT WHERE APPLICABLE MUST REMAIN WITHIN DIMENSIONS				RHODGE		2015/04/06					
D	REV	DRAWING SIZE		THIRD ANGLE PROJECTION		DOCUMENT NUMBER: SD-173042-0001 DOC TYPE: PSD DOC PART: 000 SHEET NUMBER: 1 OF 2					
		A2									

CONDUCTOR AND INSULATOR CRIMP DIMENSIONS



NOTES:

1. MATERIAL: TIN BRASS
2. FINISHES:
HOT TIN DIP (60μ INCHES MIN).
3. PRODUCT SPECIFICATION: 1728770001-PS
4. PACKAGING SPECIFICATION: PK-173041-0001
5. TERMINAL FOR USE WITH RECEPTACLE HOUSING SERIES 172878
6. THIS PARTS CONFORM TO CLASS 'B' REQUIREMENTS OF COSMETIC SPECIFICATION PS-45499-002.

TABLE:

PART NUMBER	SHEET THICKNESS	CRIMP SIZE	WIRE STYLE	INSULATION DIAMETER (MEAN)	REMARKS
173042-0001	0.203	16 AWG	UL 1061	∅1.98	ACTIVE
		18 AWG	UL 1007	∅2.03	ACTIVE
		18 AWG	UL 1095	∅1.90	ACTIVE
173042-0003	0.203	16 AWG	UL 1007	∅2.39	TBD

THIS DRAWING CONTAINS INFORMATION THAT IS PROPRIETARY TO MOLEX ELECTRONIC TECHNOLOGIES, LLC AND SHOULD NOT BE USED WITHOUT WRITTEN PERMISSION

RE-MASTERED IN ELECTRICAL EC NO: 112874 DRWN: ISHWARG CHKD: KPRASAD REV: APPR: 2017/01/23	GENERAL TOLERANCES (UNLESS SPECIFIED)	DIMENSION UNITS	SCALE			
	ANGULAR TOL ± 0.5 °	MM	10:1			
	4 PLACES ±	DRWN BY	DATE		VALUSEAL FEMALE TERMINAL 16-18 & 20-22 AWG	
	3 PLACES ±	SS06	2015/02/27			
	2 PLACES ± 0.25	CHK'D BY	DATE		PRODUCT CUSTOMER DRAWING	
1 PLACE ± 0.35	ISHWARG	2016/07/06				
0 PLACES ±	APPR BY	DATE	SERIES	MATERIAL NUMBER	CUSTOMER	
DRAFT WHERE APPLICABLE MUST REMAIN WITHIN DIMENSIONS	RHODGE	2015/04/06	173042	SEE TABLE	GENERAL MARKET	
	DRAWING SIZE	THIRD ANGLE PROJECTION	DOCUMENT NUMBER			
	A2		SD-173042-0001	DOC TYPE	DOC PART	SHEET NUMBER
			PSD	000	2 OF 2	