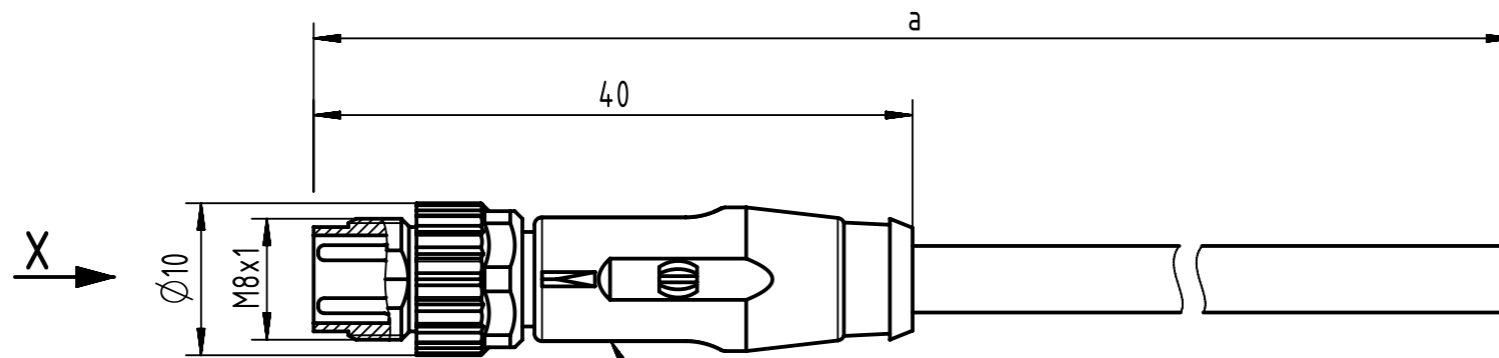
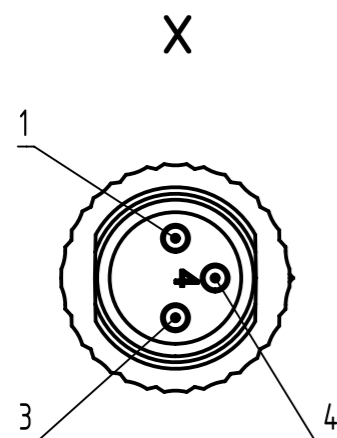


Connector Location A

Connector Location B



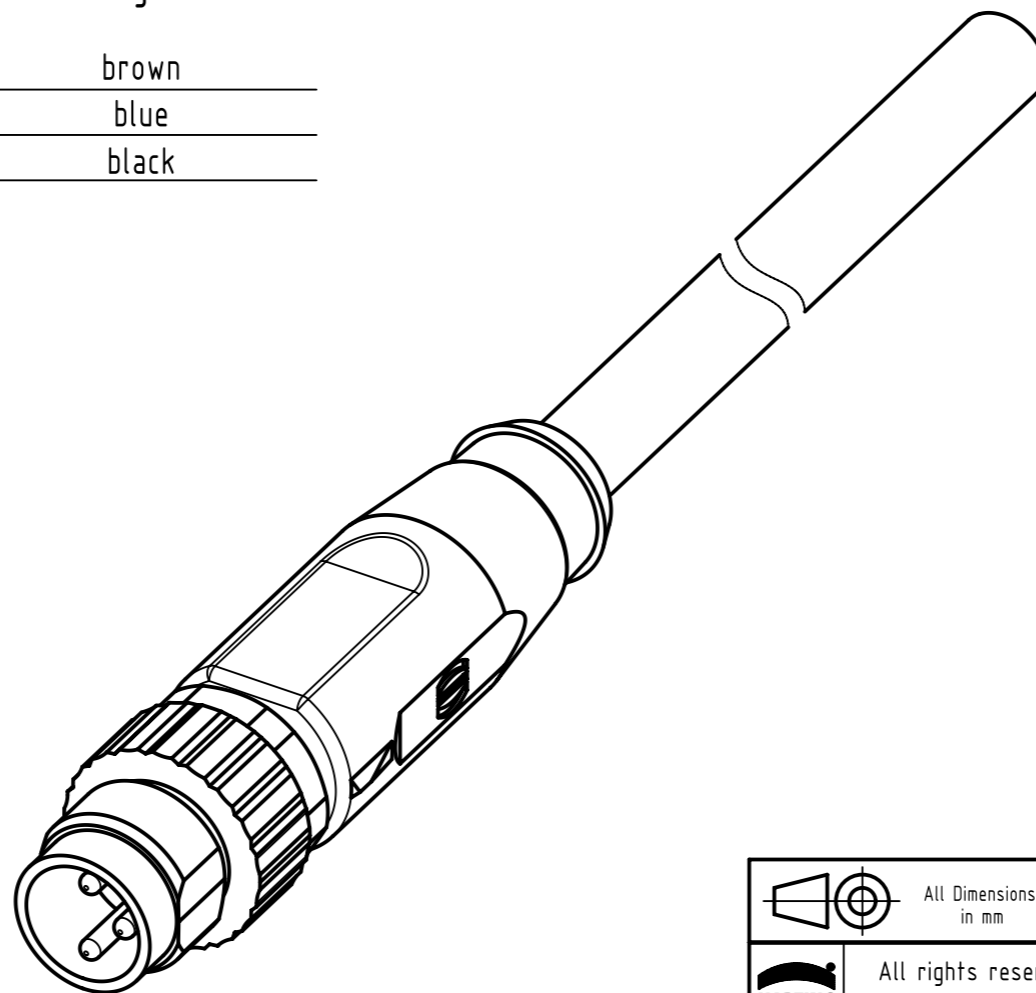
M8 A-coded, 3-pole, male, straight, unshielded



Loading-Plan

- 1 brown
- 3 blue
- 4 black

- Protection level: IP67
 - Temperature range: -25°C ... +80°C



length in "1m" step	40	XXX=400
	39	XXX=390
	.	.
	12	XXX=120
	11	XXX=110
length in "0.1m" step	10	XXX=100
	9.9	XXX=099
	9.8	XXX=098
	.	.
	0.4	XXX=004
	0.3	XXX=003
	0.2	XXX=002
	0.1	XXX=001
Step	a [m]	XXX

4.0 to 40	+1%
0.1 to 3.9	+0.04
a [m]	Tolerance

Part no.	213480003XXXXXX
Type of cable	XX
PVC grey, 3x0.25mm ²	XX=80
PUR black, 3x0.25mm ²	XX=88

All rights reserved Department HCS - RO HARTING Customised Solutions D-32427 Minden		All Dimensions in mm Tech. Character. Free size tol. According to production drawing		Created by COSTEA		Inspected by MUNTEANV		Standardisation AVRAM		Date 2017-10-11		State Final Release	
Title M8 Cable Assembly										Doc-Key / ECM-Nr. 100577956/UGD/009/B 500000126196			
Type TB		Number 213480003XXXXXX						Rev. B		Page 1/1			