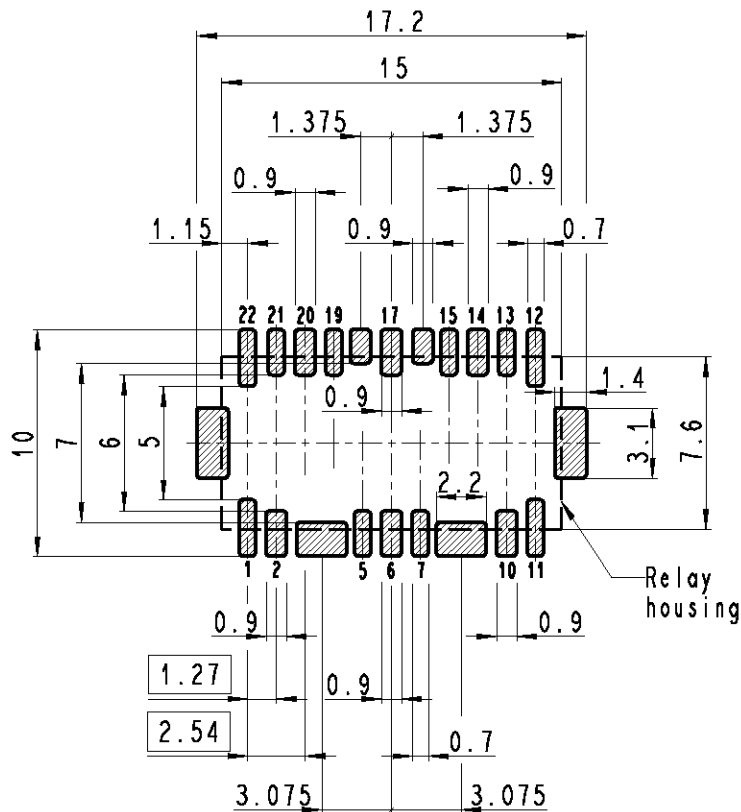
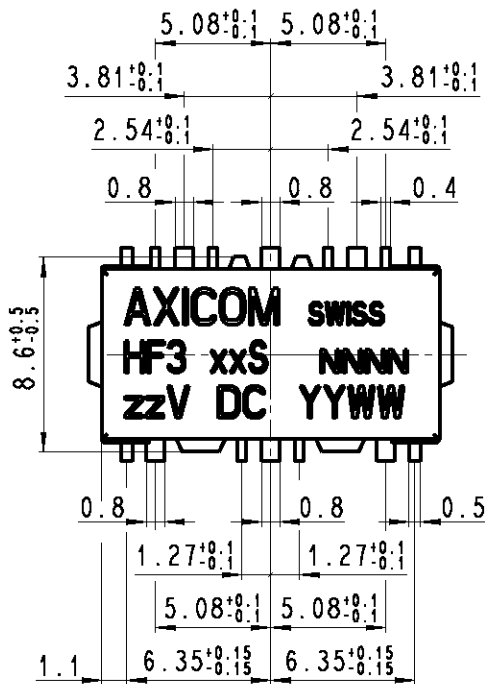
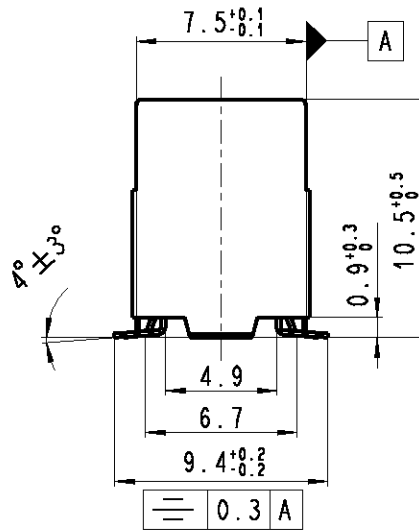
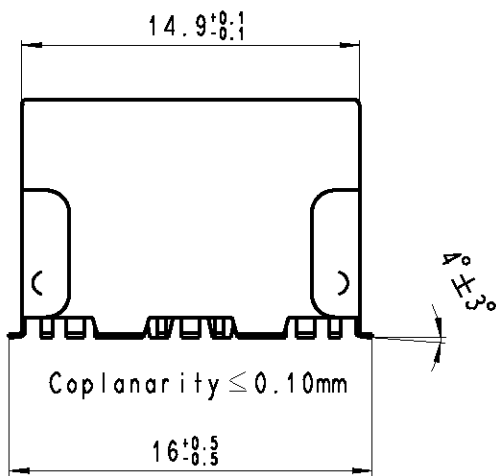


LOC	DIST	REVISIONS					
HJ	-	P	LTR	DESCRIPTION	DATE	DWN	APVD
		F1		REVISED PER ECO-11-005150	25MAR11	RK	HMR



XX = Relay type  
 zz = nominal voltage  
 YYWW = Date code  
 NNNN = Lot number

RELEASED FOR PUBLICATION

THIS DRAWING IS UNPUBLISHED.

ALL RIGHTS RESERVED.

BY -  
© COPYRIGHT

DRAWING ALIAS

DIMENSIONS: mm	DWN	26Jan2007	MATERIAL	FINISH			
	UK 9193		-	-			
TOLERANCES UNLESS OTHERWISE SPECIFIED: DIN 7168-m	CHK	26Jan2007					
	HD 9121						
0 PLC ±- 1 PLC ±- 2 PLC ±- 3 PLC ±- 4 PLC ±- ANGLES ±1°	APVD	26Jan2007	NAME HF3-Relay metal cover 50Ω Dimensions				
	HD 9121						
	PRODUCT SPEC	-	SIZE	CAGE CODE	DRAWING NO	RESTRICTED TO	
	APPLICATION SPEC	-	A4	00779	C-1462051-3	-	
CUSTOMER DRAWING	WEIGHT	-	SCALE	3:1	SHEET	1 OF 1	REV F1