

THIS DRAWING IS UNPUBLISHED.

RELEASED FOR PUBLICATION

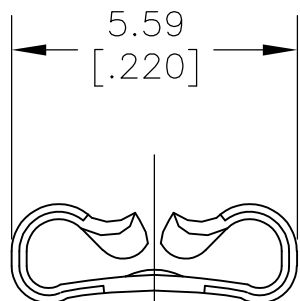
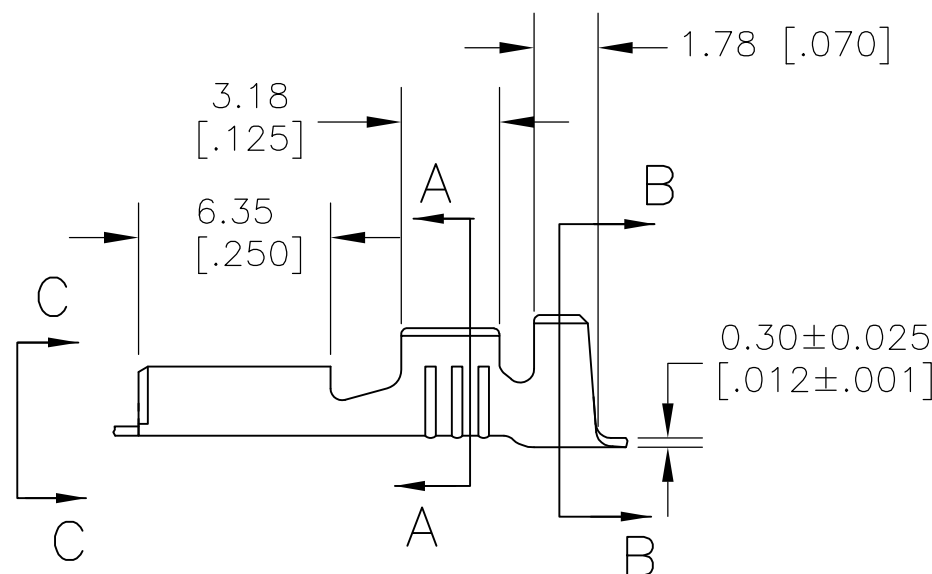
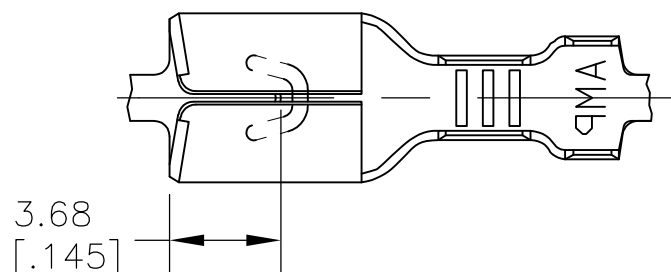
ALL RIGHTS RESERVED.

© COPYRIGHT - By -

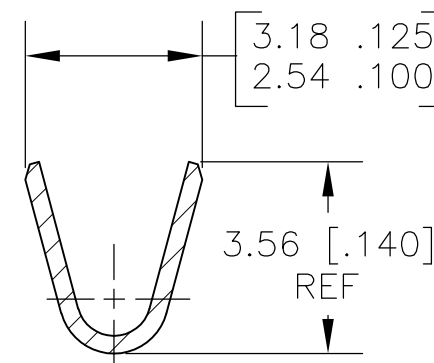
REVISIONS

P	LTR	DESCRIPTION	DATE	DWN	APVD
	A3	REVISED PER ECR-16-018268	29DEC2016	JH	TD

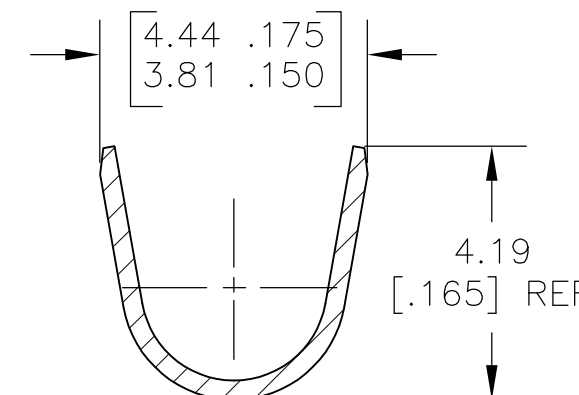
- 1 CONTINUOUS STRIP ON REELS.
- 2 WIRE SIZE #20-#16 AWG
- 3 INSULATION RANGE 2.29-3.30 [.090-.130] DIA
- 4 MATING TAB THK 0.81±0.025 [.032±.001]
- 5 PRELIMINARY-NOT FOR PRODUCTION.



VIEW C-C
SCALE 8:1



SECTION A-A
SCALE 8:1



SECTION B-B
SCALE 8:1

POST TIN	BRASS	1742883-3	5
NICKEL PLATE	CR STEEL	1742883-1	
FINISH	MATERIAL	PART NO	

THIS DRAWING IS A CONTROLLED DOCUMENT.		DWN jr_ruth 03MAR11
DIMENSIONS: MM [INCHES]		CHK PETE_DESANTIS 03MAR11
TOLERANCES UNLESS OTHERWISE SPECIFIED:		APVD PETE_DESANTIS 03MAR11
0 PLC	± -	PRODUCT SPEC
1 PLC	± -	
2 PLC	± 0.25 [.010]	APPLICATION SPEC
3 PLC	± -	
4 PLC	± -	WEIGHT 0.000000
ANGLES	± 5°	CUSTOMER DRAWING
MATERIAL SEE TABLE	FINISH SEE TABLE	SCALE 4:1

STE TE Connectivity			
NAME RECEPTACLE, FASTON, .187 SERIES			
SIZE A3	CAGE CODE 00779	DRAWING NO C-1742883	RESTRICTED TO -
SHEET 1 OF 1		REV A3	