

NOTES, UNLESS OTHERWISE SPECIFIED:

Panduit Tool Number CT-1104 is used to install single and dual wire Panduit insulated and non-insulated loose piece ferrules.

Crimps the following types:

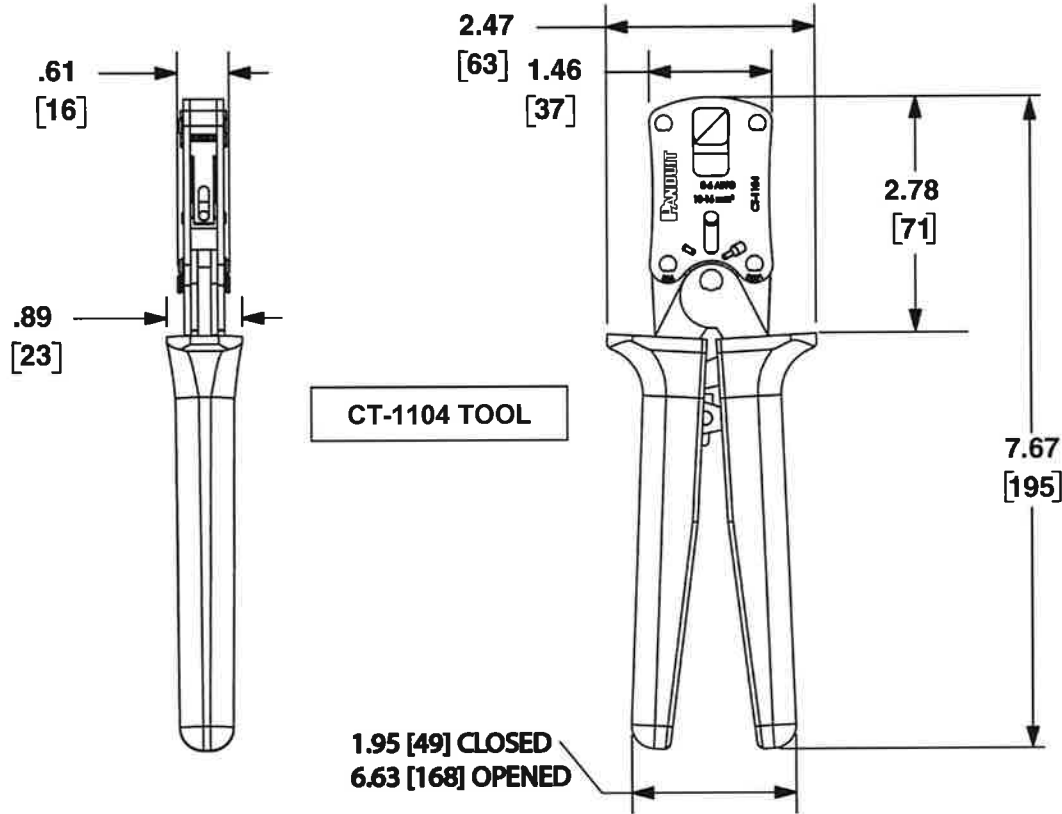
- FTD type: 2 x 10 [6.0mm²] AWG insulated ferrules
- FSD and FSF type: #8 [10.0mm²] – #6 [16.0mm²] AWG insulated ferrules
- F type: #8 [10.0mm²] – #6 [16.0mm²] AWG non-insulated ferrules

TOOL FEATURES INCLUDE:

1. Self-adjusting crimp die for Insulated and non-insulated ferrules. Ferrule size dependent on wire gage. Refer to ferrule packaging for proper ferrule and wire combinations.
2. Controlled cycle mechanism prevents tool from opening before crimp cycle is complete.
3. Manual release lever, push forward in the event that controlled cycle mechanism must be released.
4. Resilient grips to prevent operator fatigue.
NOTE: The grips are NOT intended to insulate against electrical shock.

TOOL WEIGHT: 10.6 oz. (300 gr.)

DIMENSIONS SHOWN IN PARENTHESES ARE MILLIMETERS.



CT-1104 TOOL

1.95 [49] CLOSED
6.63 [168] OPENED

F:\wrkgpr\rvusers\ENGR_DOCS\CUSTOMER DRAWINGS\TP25122B01_02 CT-1104 CD.doc

REV	DATE	BY	CHK	APR	DESCRIPTION	ECN	CT-1104					
							CUSTOMER DRAWING					
							ITEM REVISION NAME:		PANDUIT			
							TP25122B01_02		SEE NOTES			
							UNLESS OTHERWISE SPECIFIED, DIMENSIONAL TOLERANCES ARE:					
							(.x) ± —		(.xxx) ± —		DRAWING NUMBER:	
							(.xx) ± —		ANGLES ± —		TP25122B01	
							THIRD ANGLE PROJECTION					
							DRAWN BY:	DATE:	CHK	SCALE	SHT 1 OF 1	SIZE
							BLR	3-29-06	SRRE	NONE		B