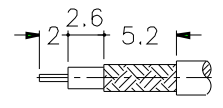
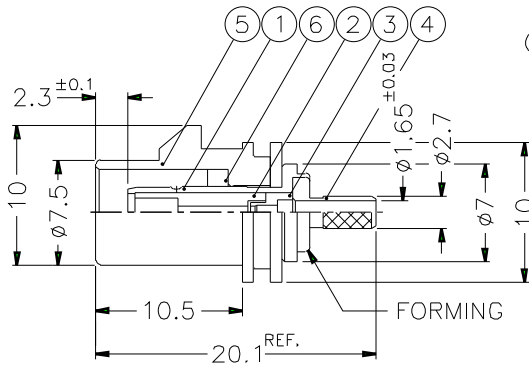
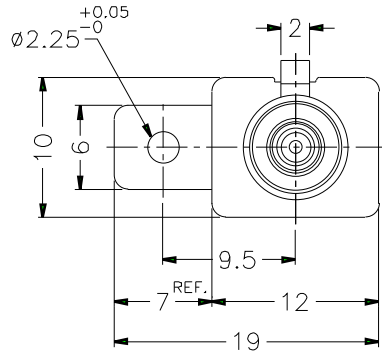


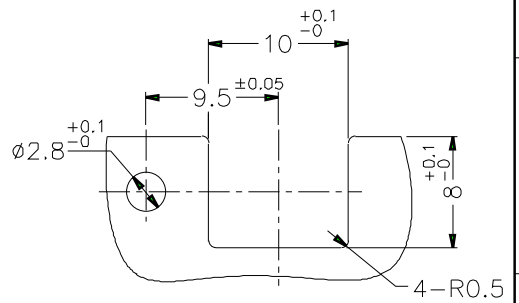
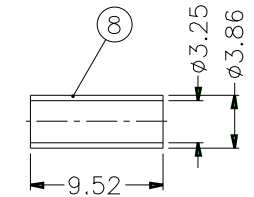
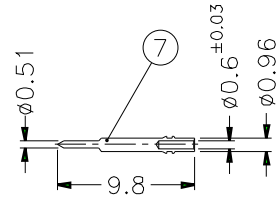
REVISIONS		
ISS	ZONE	DESCRIPTION\PER REQUEST\DATE

CONFIGURATION CONTROL:
NO CHANGES PERMITTED TO DRAWING WITHOUT
PPAP QUALIFIED CUSTOMER APPROVAL



RECOMMENDED
CABLE STRIPPING DIM'S

1. CRIMPED FERRULE
HEX CRIMP SIZE .128"
2. CRIMPED CONTACT PIN
SQ. CRIMP SIZE 0.7 MM



RECOMMENDED
MOUNTING HOLE

TABLE

KEY CODING	D/N	P/N	LOCK COVER
A	FK1321AW-007-NT30G-50	FA1-NASP-C01-0	FKLC10201A
B	FK1321BW-007-NT30G-50	FA1-NBSP-C01-0	FKLC10202A
C	FK1321CW-007-NT30G-50	FA1-NCSP-C01-0	FKLC10203A
D	FK1321DW-007-NT30G-50	FA1-NDSP-C01-0	FKLC10204A
E	FK1321EW-007-NT30G-50	FA1-NESP-C01-0	FKLC10205A
F	FK1321FW-007-NT30G-50	FA1-NFSP-C01-0	FKLC10206A
G	FK1321GW-007-NT30G-50	FA1-NGSP-C01-0	FKLC10207A
H	FK1321HW-007-NT30G-50	FA1-NHSP-C01-0	FKLC10208A
I	FK1321IW-007-NT30G-50	FA1-NISP-C01-0	FKLC10209A
K	FK1321KW-007-NT30G-50	FA1-NKSP-C01-0	FKLC10210A
Z	FK1321ZW-007-NT30G-50	FA1-NZSP-C01-0	FKLC10211A

- NOTES: FINISH (PLATING THICKNESS IN MICRO-INCHES)
1. BRASS PER QQ-B-626, ALLOY 360, 1/2 H ; JIS H3250 C 3604BD OR EQUIVALENT
 2. NICKEL PL. 60 MIN. THICK OVER COPPER STRIKE
 3. GOLD PL. 30 MIN. THICK OVER NICKEL PL. 100 MIN. THICK OVER COPPER STRIKE
 4. TEFLON MIL-P-19468 OR EQUIVALENT
 5. COPPER PER ASTM B-75 ALLOY C12200 OR EQUIVALENT
 6. PBT(WITH 15% GLASS FIBER) PER CHANG CHUN GRADE 4115202 OR EQUIVALENT

NO.	DESCRIPTION	MATERIAL	FINISH	Q'TY	DRAWING NO.	SCALE	2/1	ISSUE	1	PART NO.	DATE	TITLE	
8	FERRULE	NOTE 5	NATURAL	1	FKFR00101A	DIMENSIONS ARE IN MILLIMETERS UNLESS OTHERWISE SPECIFIED TOLERANCES 0.5-6 = ±0.2 6-30 = ±0.4 30-120 = ±0.6 120-315 = ±1 315-1000 = ±1.6 1000-2000 = ±2.4				FA1-NXSP-C01-0	10-04-01'	Danbury,CT,USA-Tainan,Taiwan-Shenzhen,China	
7	CONTACT PIN	NOTE 1	NATURAL	1	FKCP00101A		APPROVED				DATE		10-04-01'
6	RING	NOTE 1	NATURAL	1	FKLR00101A		CHECKED			DATE	10-04-01'	DRAWING NO.	
5	LOCK COVER	NOTE 6	NATURAL	1	SEE TABLE		DRAWN	ANGELA		DATE	10-04-01'	KJ-FK1321XX-007-NT30G-50	
4	BARREL	NOTE 1	NATURAL	1	FKBR00101B							FILE NO.	F:\DWG\FK\FA1\NXSP\C01\0
3	INSULATOR	NOTE 4	NATURAL	1	FKNS00201A								
2	INSULATOR	NOTE 4	NATURAL	1	FKNS00101A								
1	MAIN BODY	NOTE 1	NATURAL	1	FKMB00101A								

Amphenol

Danbury,CT,USA-Tainan,Taiwan-Shenzhen,China

TITLE
FAKRA SMB CRIMP PLUG
(FOR RG-174/U, 188A/U, 316/U CABLE)

DRAWING NO.
KJ-FK1321XX-007-NT30G-50

FILE NO. F:\DWG\FK\FA1\NXSP\C01\0