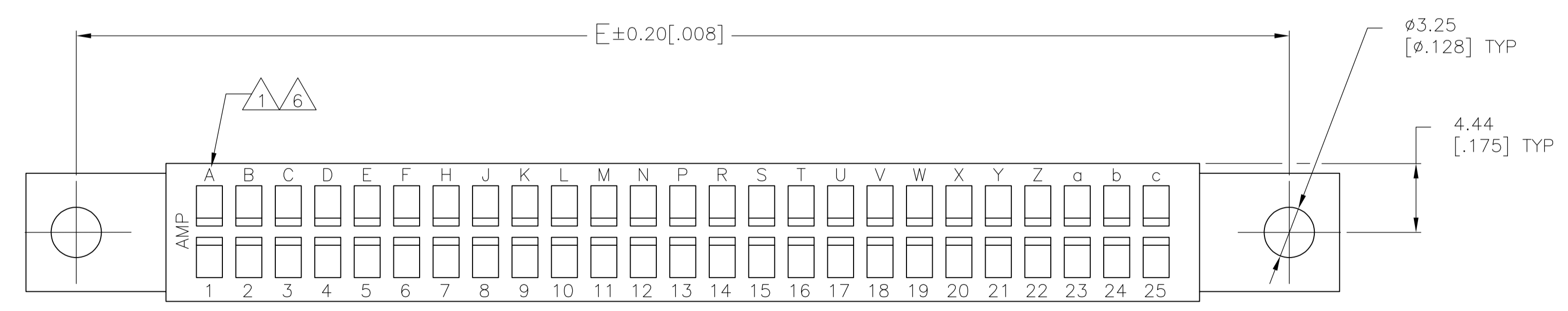
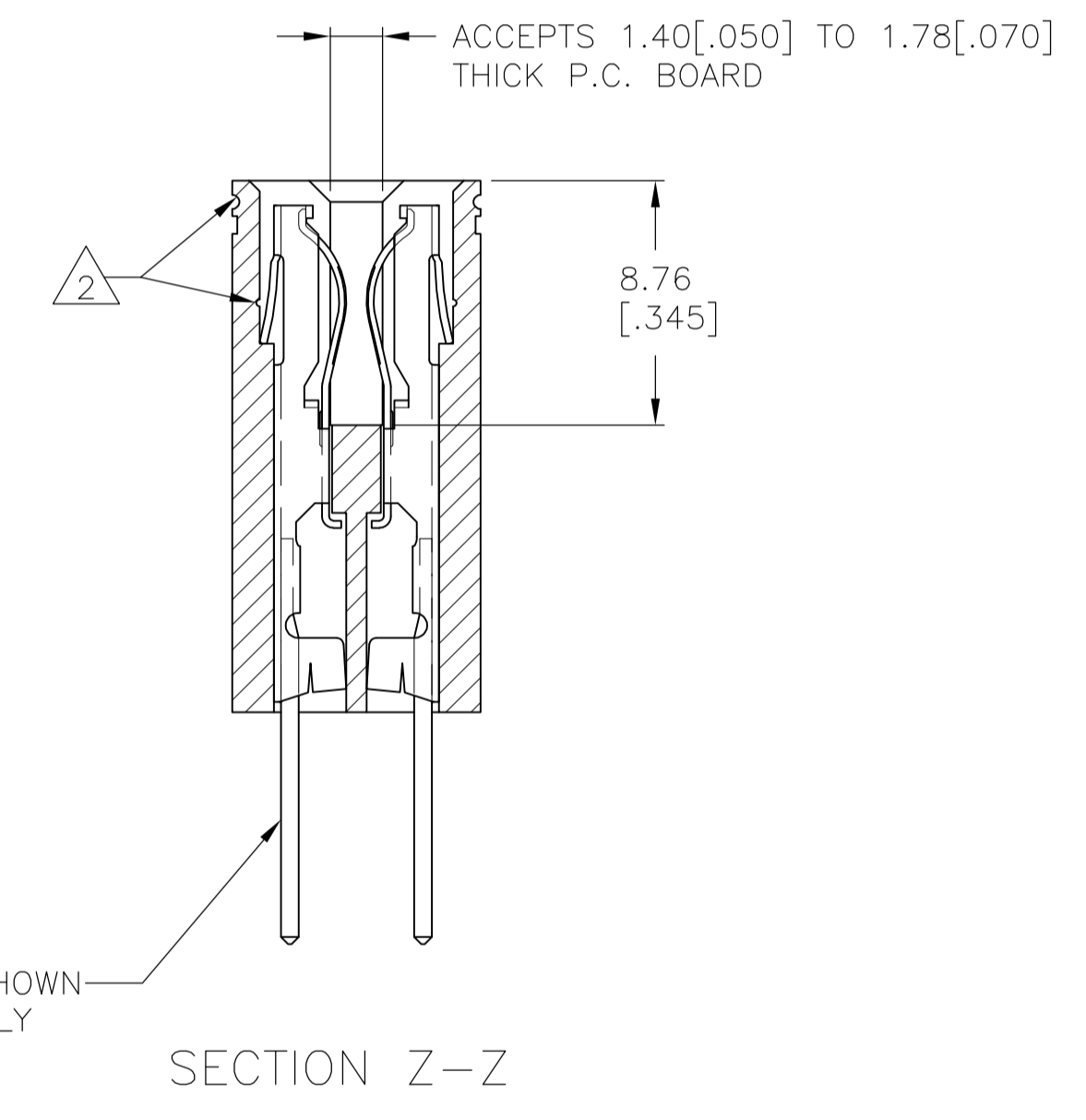
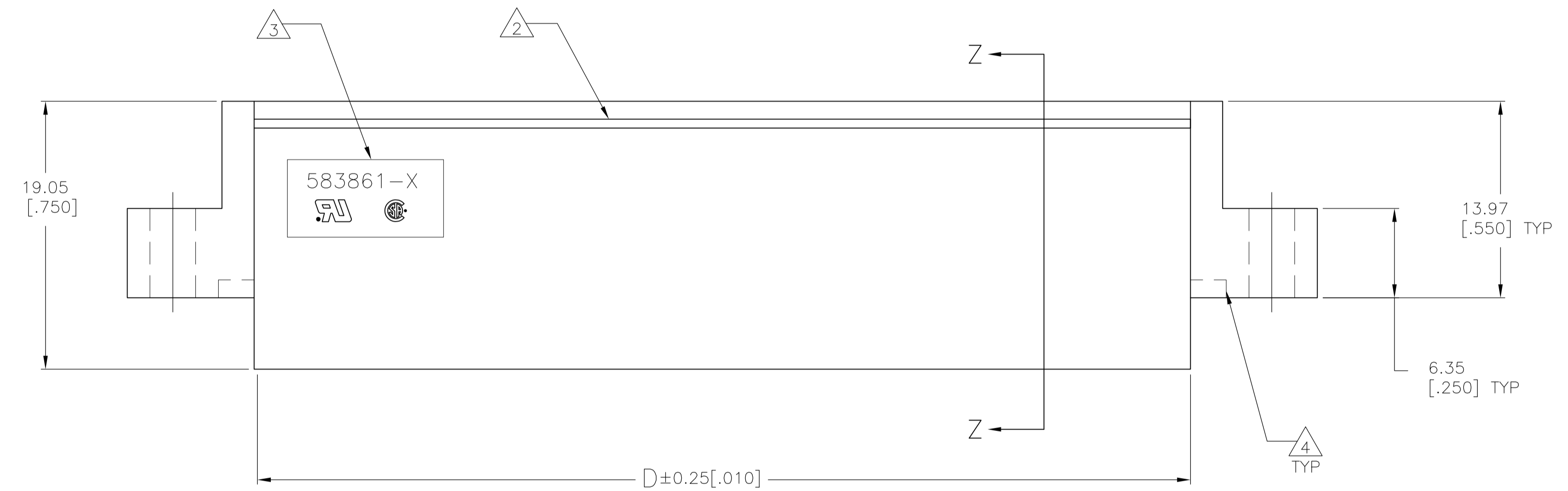
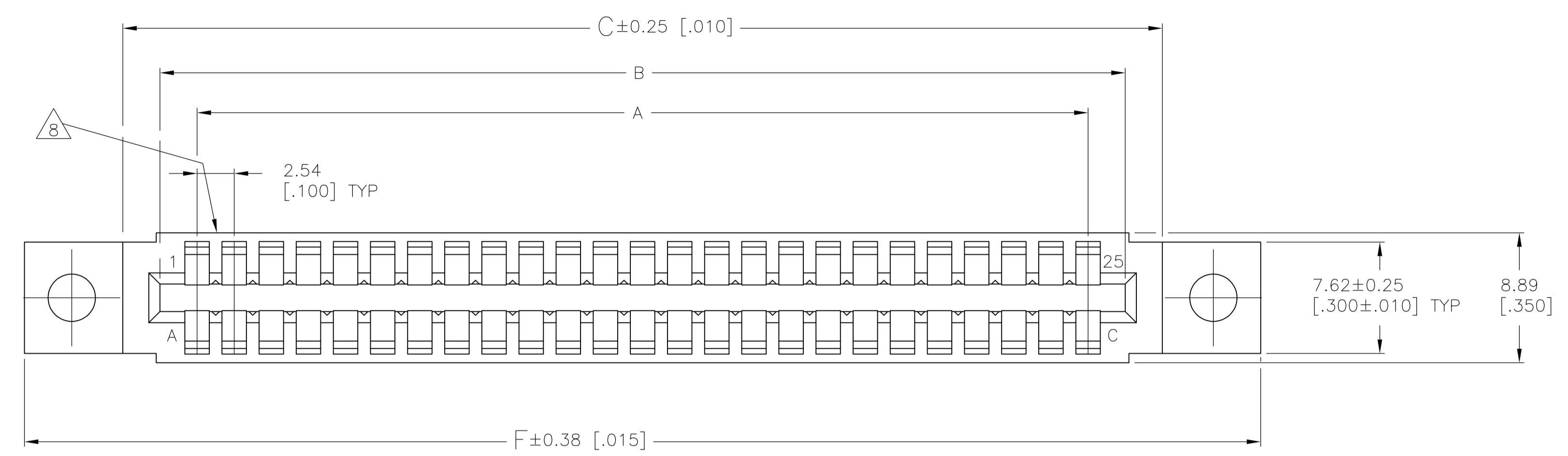
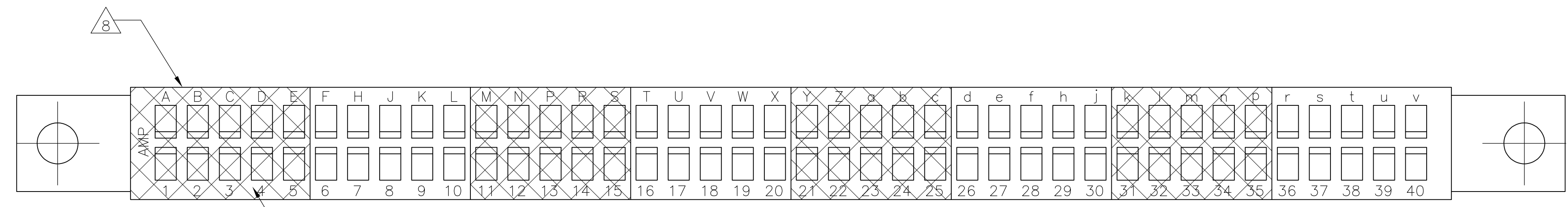


LOC		DIST		REVISIONS			
FT	00	REV	DATE	BY	CHK	APPV	
V2	REVISED PER ECO-11-010839		26MAY11	RK	HMR		

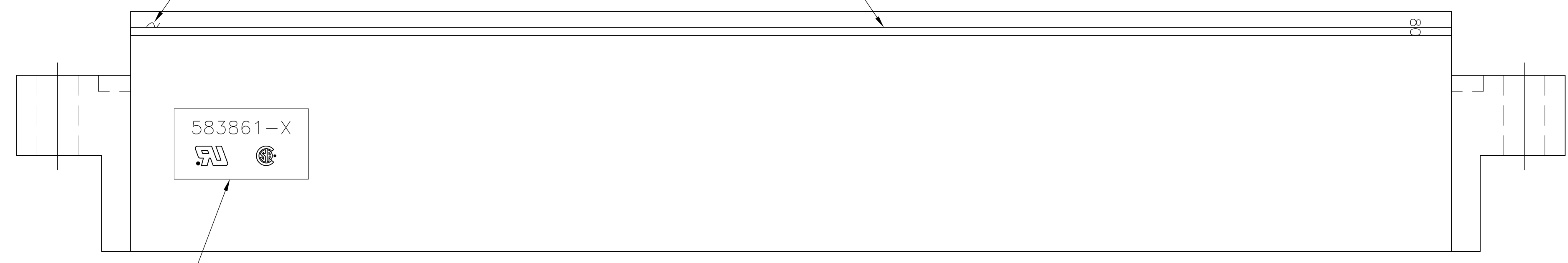


THIS DRAWING IS A CONTROLLED DOCUMENT.		DIN J GALLUCCI BG 10DEC92		TE Connectivity	
DIMENSIONS: mm [INCHES]		TOLERANCES UNLESS OTHERWISE SPECIFIED:			
0. PL C ± - 1. PL C ± - 2. PL C ± - 3. PL C ± 0.13 [.005] 4. PL C ± - ANGLES ± -		APVD H ROSE 02MAR94 PRODUCT SPEC APPLICATION SPEC		NAME HOUSING, CRIMP SNAP TWIN LEAF, .100 CL	
MATERIAL GLASS FILLED POLYESTER COLOR: BLACK		FINISH -		SIZE CASE CODE DRAWING NO. A1 00779 C=583861 WEIGHT - CUSTOMER DRAWING	
4805 (3/11)		SCALE 4:1		SHEET 1 OF 2 REV V2	



COLOR CODE FIRST FIVE (5) POSITIONS, NEXT FIVE (5) POSITIONS PLAIN THIRD FIVE (5) POSITIONS, ETC.

1.58±0.38 [.062±.015] MIN CHARACTERS STAMPED IN WHITE INK TWO PLACES



- 1 FIRST 22 POSITIONS MARKED WITH UPPER CASE LETTERS, FOLLOWED BY LOWER CASE LETTERS, FOLLOWED BY UPPERCASE AA,AB,AC ETC. CHARACTERS G,I,O AND Q ARE OMITTED. SEE TABLE FOR END CAVITY IDENTIFICATION.
- 2 OPTIONAL PULL GROOVES. THE PULL GROOVE LENGTH, SIZE AND LOCATION ARE AT THE DISCRETION OF THE MOLD VENDOR.
- 3 HOUSING PART NUMBER, UL & CSA LOGO'S TO BE MOLDED IN THIS AREA. UL, LOGO PER 1-18838-3, CSA LOGO PER 1-18839-3.
- 4 CORING AT AMP'S OPTION REF ONLY.
- 5 SPECIAL MARKING FOR 2-583861-3.
- 6 HIGHLIGHT MOLDED LETTERS AND NUMBERS WITH WHITE INK AT WIRE ONLY ON 2-583861-6.
- 8 DATE CODE TO BE MOLDED IN THIS AREA

	20 & X	71.88 [2.830]	65.41 [2.575]	53.85 [2.120]	58.42 [2.300]	53.34 [2.100]	48.26 [1.900]	20	2-583861-9
OBSOLETE	9 & K	43.94 [1.730]	37.47 [1.475]	25.91 [1.020]	30.48 [1.200]	25.40 [1.000]	20.32 [.800]	9	2-583861-7
OBSOLETE	SAME AS 2-583861-1 EXCEPT SPECIAL MARKING PER 6								2-583861-6
	36 & r	112.52 [4.430]	106.05 [4.175]	94.49 [3.720]	99.06 [3.900]	93.98 [3.700]	88.90 [3.500]	36	2-583861-5
OBSOLETE	SAME AS 583861-3 EXCEPT SPECIAL COLOR CODING 5								2-583861-3
	50 & AF	148.08 [5.830]	141.61 [5.575]	130.05 [5.120]	134.62 [5.300]	129.54 [5.100]	124.46 [4.900]	50	2-583861-1
	28 & f	92.20 [3.630]	85.73 [3.375]	74.17 [2.920]	78.74 [3.100]	73.66 [2.900]	68.58 [2.700]	28	1-583861-9
	25 & c	84.58 [3.330]	78.11 [3.075]	66.55 [2.620]	71.12 [2.800]	66.04 [2.600]	60.96 [2.400]	25	1-583861-7
OBSOLETE	22 & Z	76.96 [3.030]	70.49 [2.775]	58.93 [2.320]	63.50 [2.500]	58.42 [2.300]	53.34 [2.100]	22	1-583861-5
OBSOLETE	18 & V	66.80 [2.630]	60.33 [2.375]	48.77 [1.920]	53.34 [2.100]	48.26 [1.900]	43.18 [1.700]	18	1-583861-3
	17 & U	64.26 [2.530]	57.79 [2.275]	46.23 [1.820]	50.80 [2.000]	45.72 [1.800]	40.64 [1.600]	17	1-583861-1
	15 & S	59.18 [2.330]	52.71 [2.075]	41.15 [1.620]	45.72 [1.800]	40.64 [1.600]	35.56 [1.400]	15	583861-9
	10 & L	46.48 [1.830]	40.01 [1.575]	28.45 [1.120]	33.02 [1.300]	27.94 [1.100]	22.86 [.900]	10	583861-7
	6 & F	36.32 [1.430]	29.85 [1.175]	18.29 [.720]	22.86 [.900]	17.78 [.700]	12.70 [.500]	6	583861-5
	40 & v	122.68 [4.830]	116.21 [4.575]	104.65 [4.120]	109.22 [4.300]	104.14 [4.100]	99.06 [3.900]	40	583861-3
	30 & j	97.28 [3.830]	90.81 [3.575]	79.25 [3.120]	83.82 [3.300]	78.74 [3.100]	73.66 [2.900]	30	583861-1
	END CAVITY IDENT	F	E	D	C	B	A	POSN	PART NUMBER

THIS DRAWING IS A CONTROLLED DOCUMENT. DWG: J GALLUCCI BG 10DEC92
CHK: H ROSE 02MAR94
APPV: H ROSE 02MAR94

STE TE Connectivity

HOUSING, CRIMP SNAP TWIN LEAF, .100 CL

SIZE: A1 CAGE CODE: 00779 DRAWING NO: 583861

CUSTOMER DRAWING SCALE: 4:1 SHEET 2 OF 2 REV V2