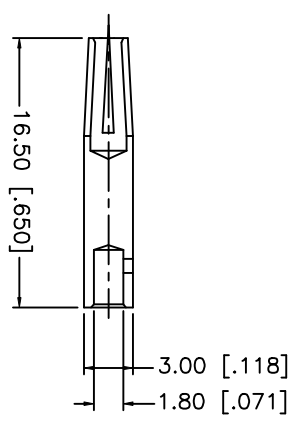
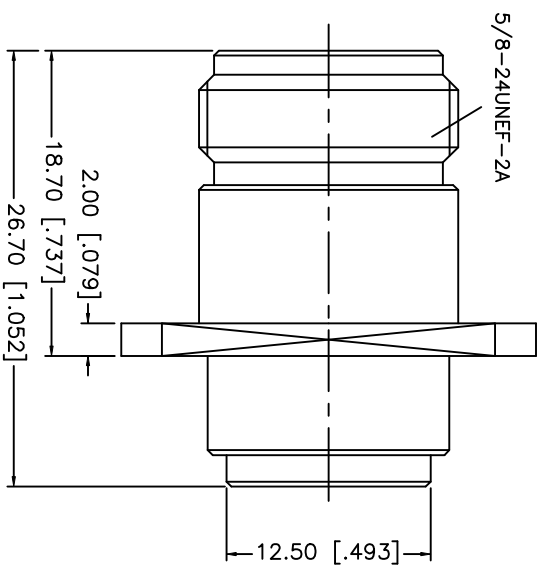
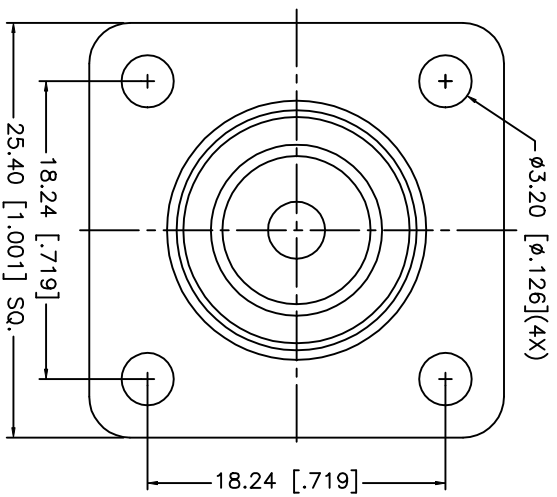
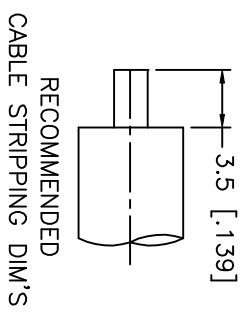
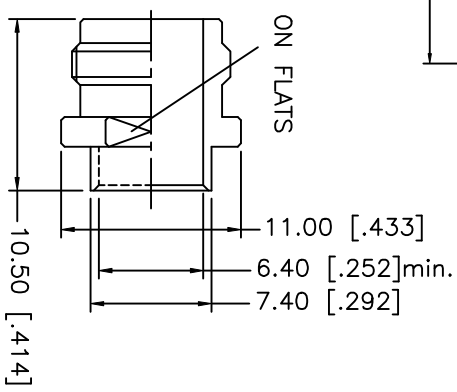
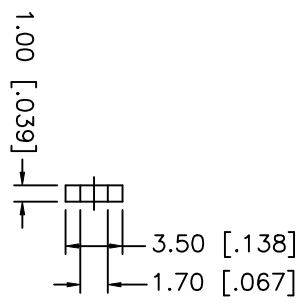


REV.	DATE	DESCRIPTION
NC	05/06/02	INITIAL RELEASE



CRIMP NOTES:  
 1. CRIMPED CONTACT PIN  
 HEX CRIMP SIZE .100"  
 OR SOLDER.



DESCRIPTION	MATERIAL	FINISH	UNLESS OTHERWISE SPECIFIED DIMENSIONS ARE IN MILLIMETERS DIMENSIONS IN [ ] ARE IN INCHES FOR CUSTOMER REFERENCE ONLY	APPROVALS	DATE	TITLE
1 OUTER BODY	BRASS	NICKEL		DRAWN G.R.S.	05/06/02	<b>Amphenol - Connex</b> CONNECTOR CORPORATION N PANEL DIRECT SOLDER JACK (FOR .250" SEMI RIGID CABLE) SIZE FSCM NO. 99001 DWG. NO. 172300.DWG SCALE NA PART NO. 172300 SHEET 1 OF 1
2 INSULATOR	TEFLON	NATURAL		CHECKED		
3 CONTACT PIN	PHOS. BRONZE	GOLD	UNLESS OTHERWISE SPECIFIED TOLERANCES FOR MILLIMETERS ARE: 0.5-6 = ± 0.2 6-30 = ± 0.4 30-120 = ± 0.6 120-315 = ± 1 315-1000 = ± 1.6 1000-2000 = ± 2.4	ISSUED		
4 SOLDER NUT	BRASS	GOLD				
5						
6						
7						
8			DO NOT SCALE DRAWING			