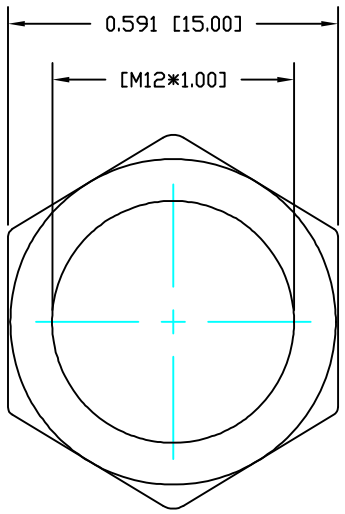
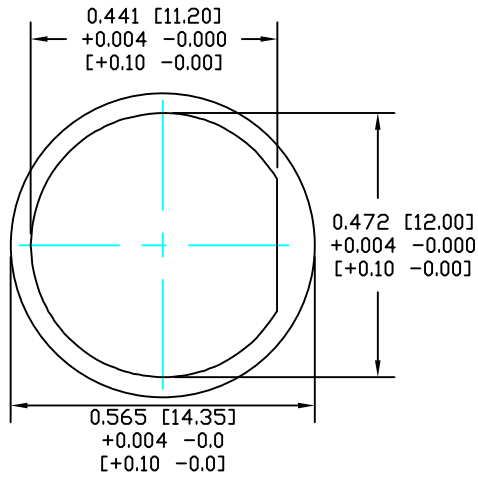
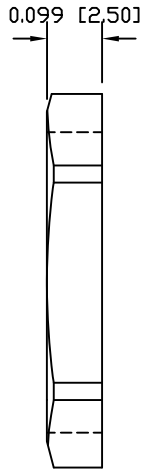


DESCRIPTION: M8 FEMALE - PANEL MOUNT (FRONT) - SOLDER CUP - 3 POS.

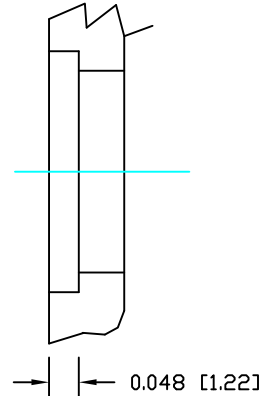


NUT



PANEL CUTOUT

MAX PANEL THICKNESS = 0.205 [5.2]



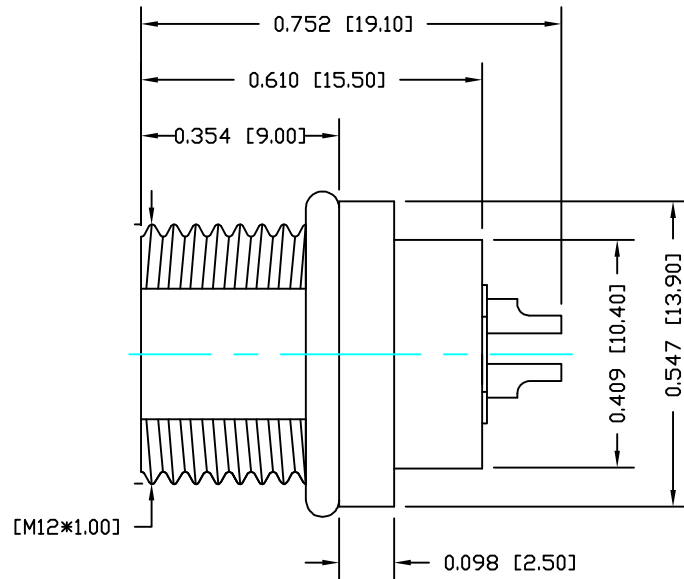
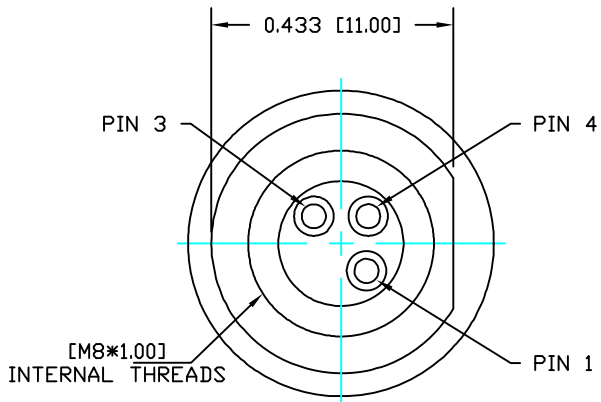
NOTE:

MATERIAL

| | |
|------------------------|------------------|
| HOUSING: | PBT, BLACK |
| CONTACT: | BRASS |
| NUT: | BRASS |
| SHELL: | BRASS |
| O-RING 1: | NBR, BLACK |
| O-RING 2: | EPDM, BLACK |
| FINISH | |
| CONTACT: | GOLD PLATED |
| | OVER 50µ" NICKEL |
| NUT: | NICKEL PLATED |
| SHELL: | NICKEL PLATED |
| ELECTRICAL | |
| RATED CURRENT: | 5A |
| RATED VOLTAGE: | 125V |
| INSULATION RESISTANCE: | 100 mΩhms MIN. |
| CONTACT RESISTANCE: | 10 MΩhms MAX. |
| WATER PROOF: | IP67 |
| ENVIRONMENT | |
| OPERATION TEMPERATURE: | -40°C TO +85°C |
| WIRE GAUGE: | 24-28 AWG |
| MAX ASSEMBLY TORQUE: | 4.5 in lbs |

855-003-203R00Y

1 = GOLD FLASH
4 = 10µ" GOLD



RoHS COMPLIANT

DO NOT SCALE FROM DRAWING



THESE DRAWINGS AND SPECIFICATIONS ARE THE PROPERTY OF NorComp AND SHALL NOT BE REPRODUCED, COPIED OR USED AS THE BASIS FOR THE MANUFACTURE OR SALE OF APPARATUS WITHOUT WRITTEN PERMISSION.

DRAWN: M. SIGMON

DATE: 03-04-16

CHECKED:

DATE:

NorComp

SCALE: N.T.S.

SHEET 1 OF 1

REV 3

DWG NO.

855-003-203R00Y