

PM2.5 laser dust sensor SKU: SEN0177



Contents

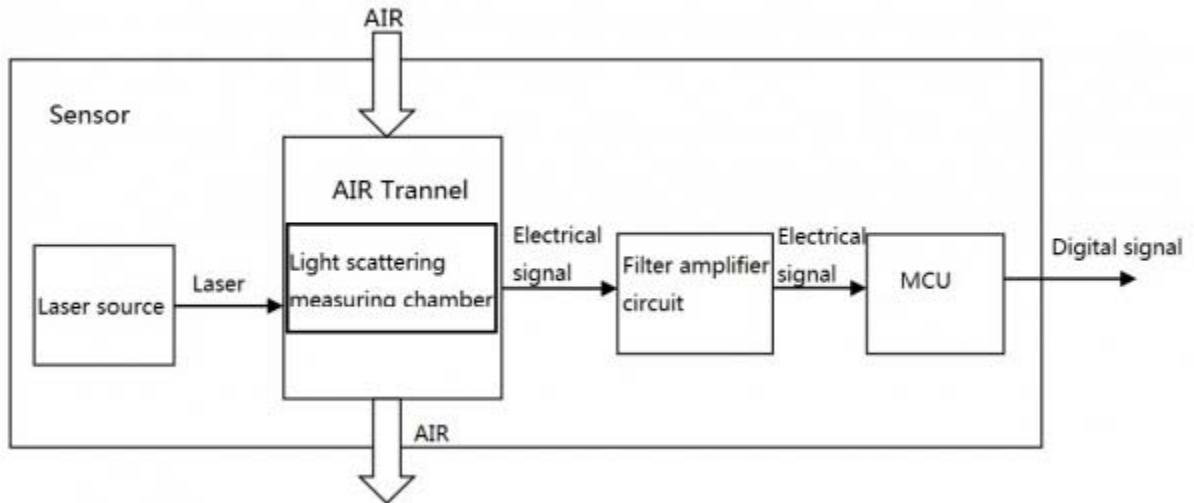
- [1 Introduction](#)
- [2 How it works?](#)
- [3 Specification](#)
- [4 Connection](#)
- [5 Tutorial](#)
 - [5.1 Connection Diagram](#)
 - [5.2 Sample Code](#)
 - [5.3 Result](#)
- [6 Communication protocol](#)
- [7 Dimensions](#)

Introduction

PM2.5 laser dust sensor is a digital universal particle concentration sensor, it can be used to obtain the number of suspended particulate matter in a unit volume of air within 0.3 to 10 microns, namely the concentration of particulate matter, and output with digital interface, also can output quality data of per particle. The sensors can be embedded in a variety of concentrations of environment-related instruments suspended particulate matter in the air ,to provide timely and accurate concentration data.

How it works?

The sensor uses a laser scattering theory. And namely the scattering of laser irradiation in the air suspended particles, while collecting the scattered light at a specific angle, to obtain the scattering intensity versus with time curve. After the microprocessor data collection, get the relationship between the time domain and frequency domain by Fourier transform, and then through a series of complex algorithms to obtain the number of particles in the equivalent particle size and volume units of different size. Each functional block diagram of the sensor portion as shown:



sensor structure diagram

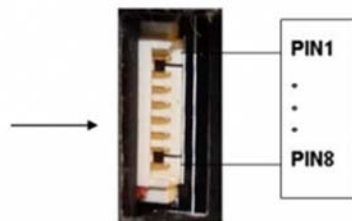
Specification

Basic	Feature
Operating voltage :4.95 ~ 5.05V Maximum electric current: 120mA Measuring pm diameter: 0.3~1.0、 1.0~2.5、 2.5~10 (um) Measuring pm range : 0~500 ug/m3 Standby current: ≤200 uA Response time: ≤10 s Operating temperature range: -20 ~ 50C Operating humidity range: 0 ~ 99% RH Maximum size: 65 × 42 × 23 (mm) MTBF: >= 5 years	Quick response Standard serial input word output Second-order multi-point calibration curve The minimum size of 0.3 micron resolution

Power supply quality requirements:

1. Voltage ripple: less than 100mV.
2. The power supply voltage stability: 4.95 ~ 5.05V.
3. Power supply: more than 1W (5V@200mA).
4. The upper and lower electric voltage surge is less than 50% of the system power supply voltage.

Connection



Sensor Pin	Arduino Pin	Function Description
Pin 1	VCC	Positive Power
Pin 2	GND	Negative Power
Pin 3	SET	Mode setting (More hereof later)
Pin 4	RXD	receive serial port pin (3.3V level)
Pin 5	TXD	Transferring serial port pin (3.3V level)
Pin 6	RESET	Reset
Pin 7/ 8	NC	NUll

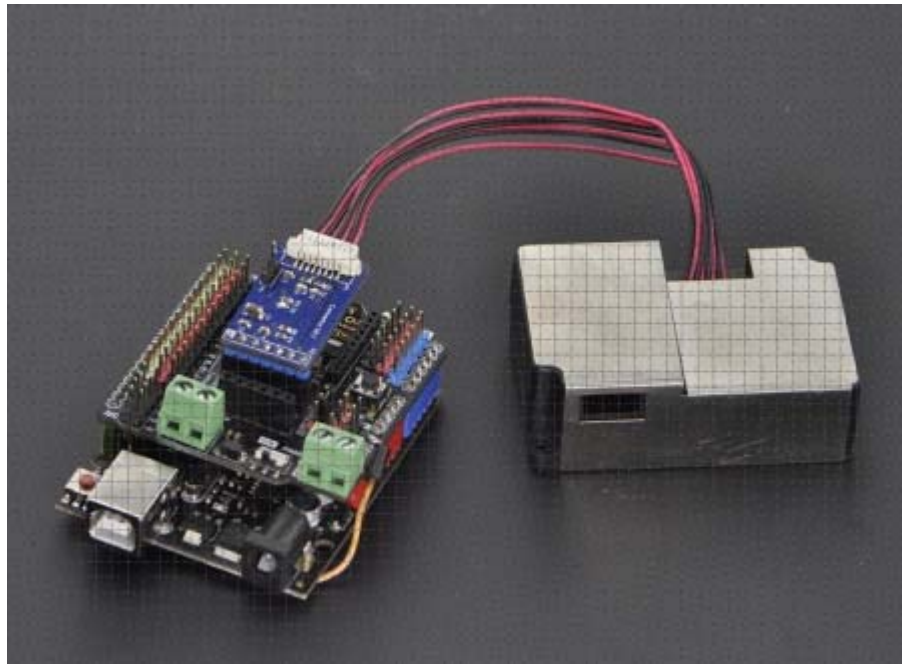
NOTE:

- SET:
SET = 1, the module works in continuous sampling mode, it will upload the sample data after the end of each sampling. (The sampling response time is 1S)
SET = 0, the module enters a low-power standby mode.
- RESET: leave it empty is OK.

Tutorial

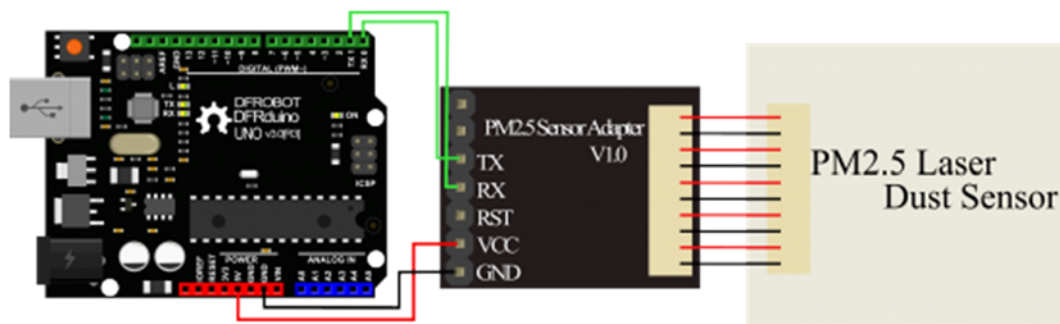
Connection Diagram

If you have an IO expansion shield, you can simply insert the PM2.5 sensor adapter onto it, and you can use the serial to monitor the data.



pm2.5 laser dust

If you have no IO expansion shield, you can follow the wiring diagram to do wiring.



pm2.5 laser dust connecting uno

Sample Code

NOTE: This code can only be verified in ArduinoIDE 1.6.x or above.

```
//*****  
//*Abstract: Read value of PM1,PM2.5 and PM10 of air quality  
//  
//*Version: V3.1  
//*Author: Zuyang @ HUST  
//*Modified by Cain for Arduino Hardware Serial port compatibility  
//*Date: March.25.2016  
//*****  
#include <Arduino.h>  
#define LENG 31 //0x42 + 31 bytes equal to 32 bytes  
unsigned char buf[LENG];  
  
int PM01Value=0; //define PM1.0 value of the air detector module  
int PM2_5Value=0; //define PM2.5 value of the air detector module  
int PM10Value=0; //define PM10 value of the air detector module  
  
void setup()  
{  
  Serial.begin(9600); //use serial0  
  Serial.setTimeout(1500); //set the Timeout to 1500ms, longer than the data transmission periodic time of the sensor  
}
```

```

void loop()
{
  if(Serial.find(0x42)){ //start to read when detect 0x42
    Serial.readBytes(buf,LENG);

    if(buf[0] == 0x4d){
      if(checkValue(buf,LENG)){
        PM01Value=transmitPM01(buf); //count PM1.0 value of the
air detector module
        PM2_5Value=transmitPM2_5(buf); //count PM2.5 value of the
air detector module
        PM10Value=transmitPM10(buf); //count PM10 value of the
air detector module
      }
    }
  }

  static unsigned long OledTimer=millis();
  if (millis() - OledTimer >=1000)
  {
    OledTimer=millis();

    Serial.print("PM1.0: ");
    Serial.print(PM01Value);
    Serial.println(" ug/m3");

    Serial.print("PM2.5: ");
    Serial.print(PM2_5Value);
    Serial.println(" ug/m3");

    Serial.print("PM10: ");
    Serial.print(PM10Value);
    Serial.println(" ug/m3");
    Serial.println();
  }
}

```

```

}
char checkValue(unsigned char *thebuf, char leng)
{
    char receiveflag=0;
    int receiveSum=0;

    for(int i=0; i<(leng-2); i++){
        receiveSum=receiveSum+thebuf[i];
    }
    receiveSum=receiveSum + 0x42;

    if(receiveSum == ((thebuf[leng-2]<<8)+thebuf[leng-1])) //ch
    eck the serial data
    {
        receiveSum = 0;
        receiveflag = 1;
    }
    return receiveflag;
}

int transmitPM01(unsigned char *thebuf)
{
    int PM01Val;

    PM01Val=((thebuf[3]<<8) + thebuf[4]); //count PM1.0 value of
    the air detector module

    return PM01Val;
}

//transmit PM Value to PC
int transmitPM2_5(unsigned char *thebuf)
{
    int PM2_5Val;

    PM2_5Val=((thebuf[5]<<8) + thebuf[6]); //count PM2.5 value of
    the air detector module

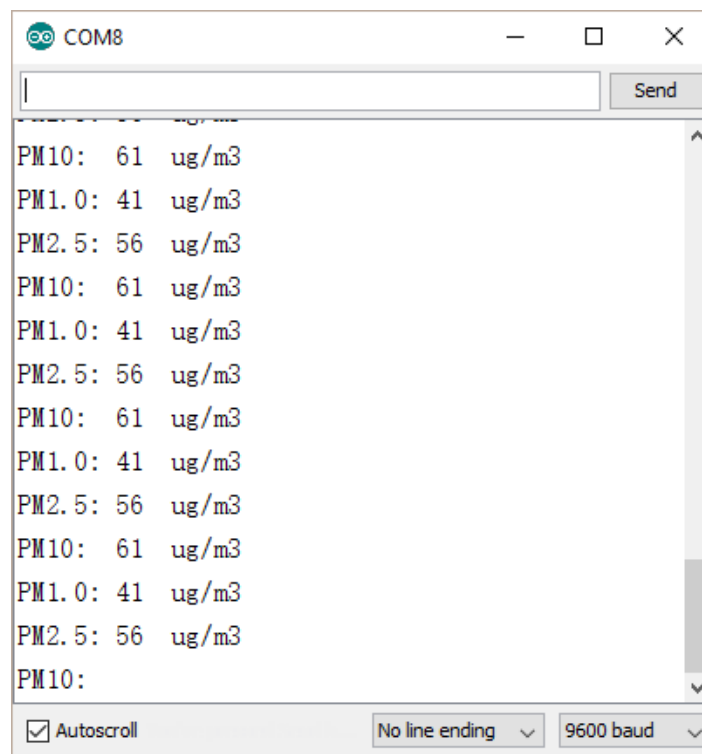
```

```
return PM2_5Val;
}

//transmit PM Value to PC
int transmitPM10(unsigned char *thebuf)
{
    int PM10Val;
    PM10Val=((thebuf[7]<<8) + thebuf[8]); //count PM10 value of
the air detector module
    return PM10Val;
}
```

Result

Please wait 30s for the data.



PM2.5_Result

Communication protocol

Serial port baudrate: 9600; Parity: None; Stop Bits: 1; packet length is fixed at 32 bytes.

Start Character 1	0x42(fixed bit)
Start Character 2	0x4d(fixed bit)
Frame Length 16-byte	Frame Length = $2 \times 9 + 2$ (data+check bit)
Data 1, 16-byte	concentration of PM1.0, ug/m ³
Data 2, 16-byte	concentration of PM2.5, ug/m ³
Data 3, 16-byte	concentration of PM10.0, ug/m ³
Data 4, 16-byte	Internal test data
Data 5, 16-byte	Internal test data
Data 6, 16-byte	Internal test data
Data 7, 16-byte	the number of particulate of diameter above 0.3um in 0.1 liters of air
Data 8, 16-byte	the number of particulate of diameter above 0.5um in 0.1 liters of air
Data 9, 16-byte	the number of particulate of diameter above 1.0um in 0.1 liters of air
Data 10, 16-byte	the number of particulate of diameter above 2.5um in 0.1 liters of air
Data 11, 16-byte	the number of particulate of diameter above 5.0um in 0.1 liters of air
Data 12, 16-byte	the number of particulate of diameter above 10.0um in 0.1 liters of air
Data 13, 16-byte	Internal test data
Check Bit for Data Sum, 16-byte	Check Bit = Start Character 1 + Start Character 2 + ...all data

Dimensions

