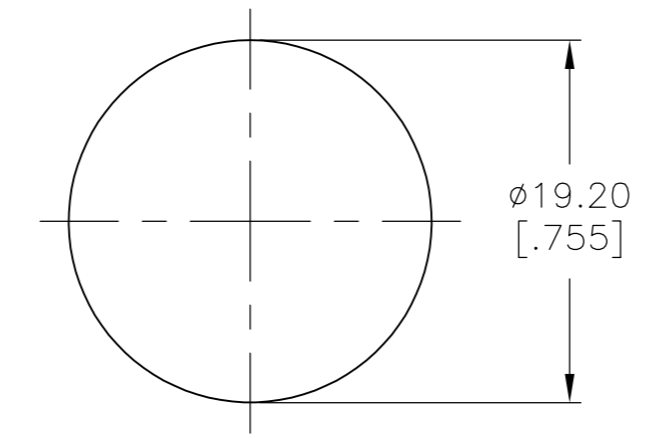
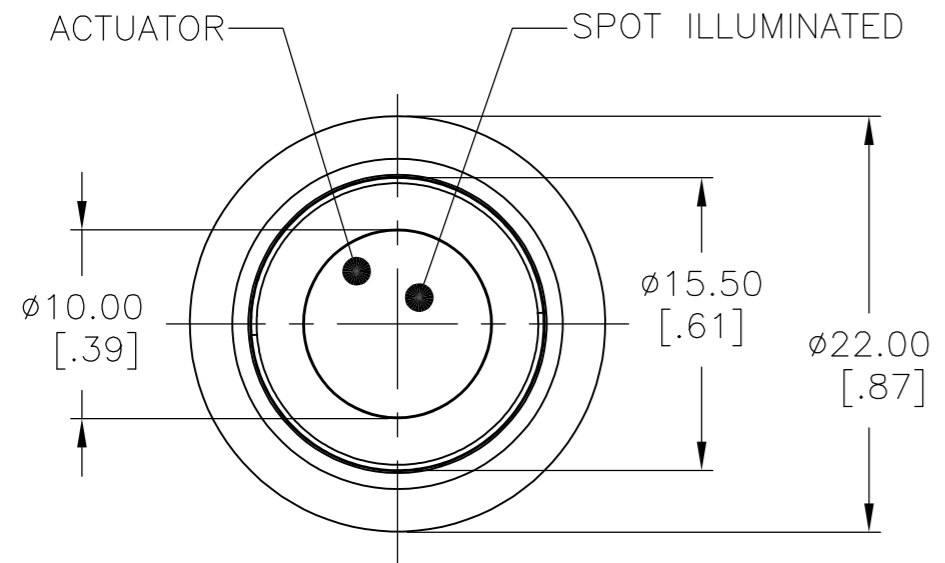


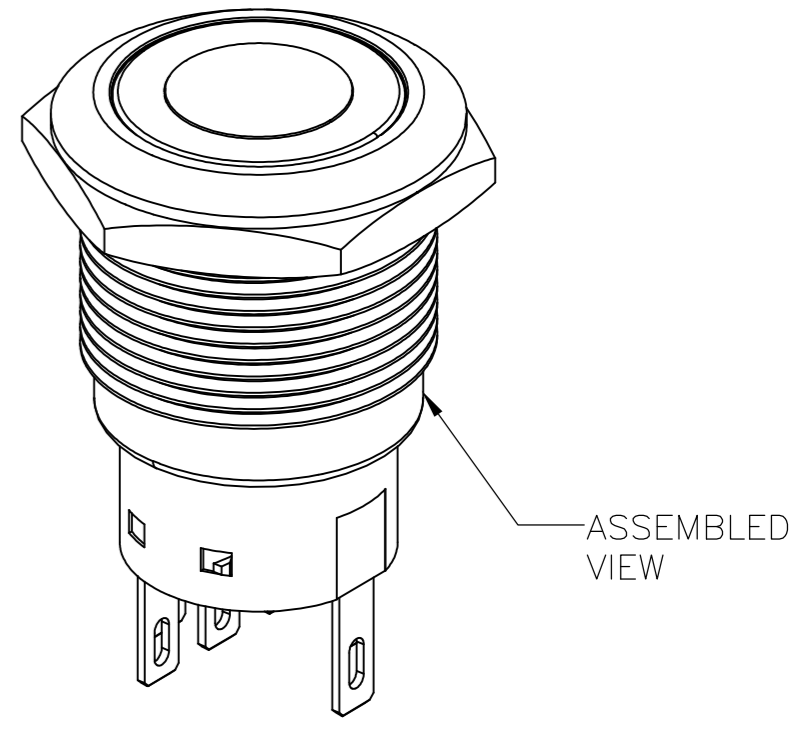
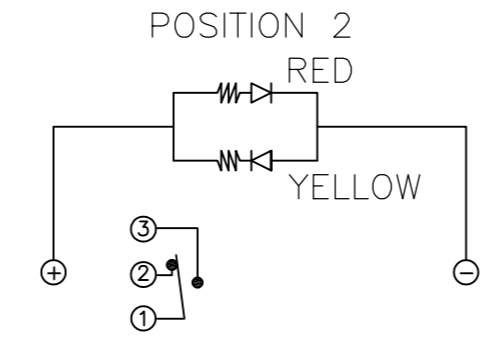
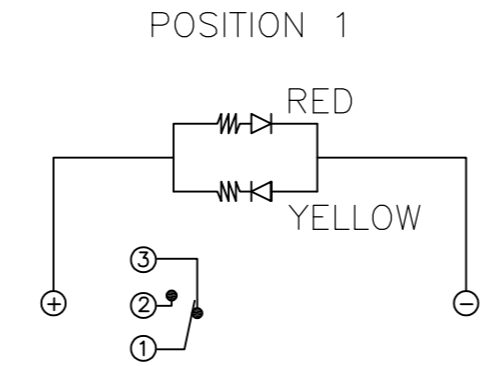
THIS DRAWING IS UNPUBLISHED. RELEASED FOR PUBLICATION
 © COPYRIGHT - TE Connectivity ALL RIGHTS RESERVED.

REVISIONS					
P	LTR	DESCRIPTION	DATE	DWN	APVD
A		INITIAL RELEASE	15FEB2017	SK	SS

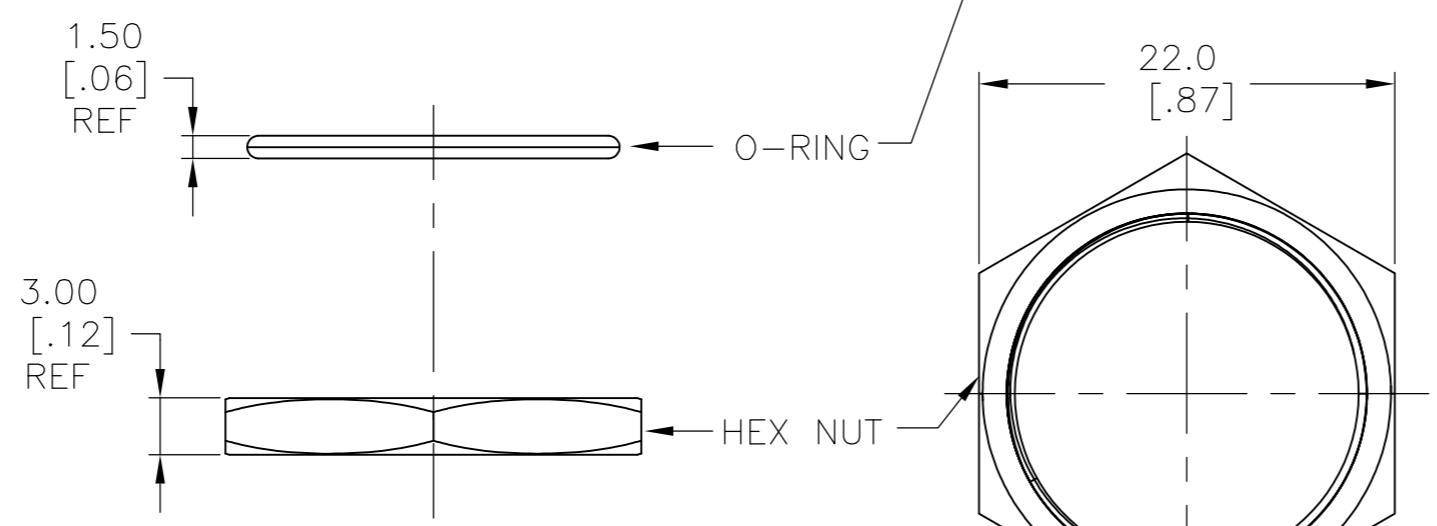
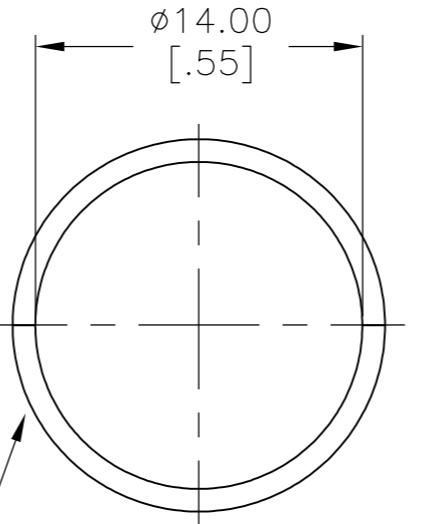
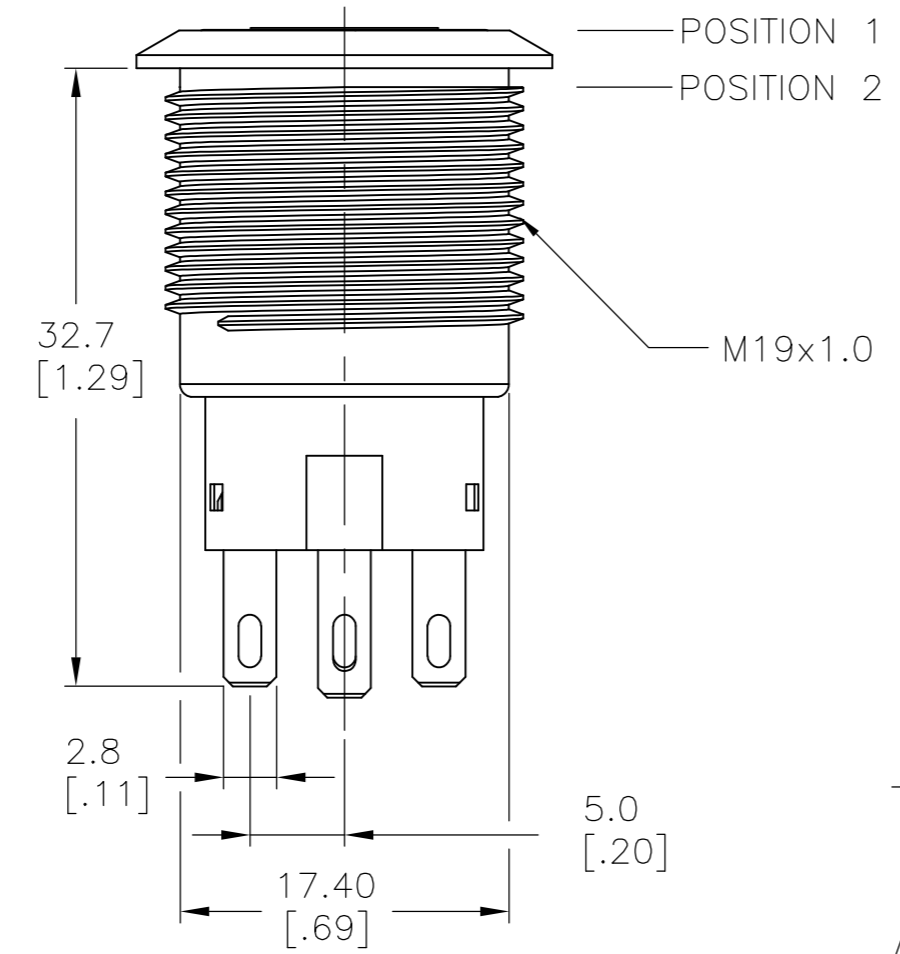
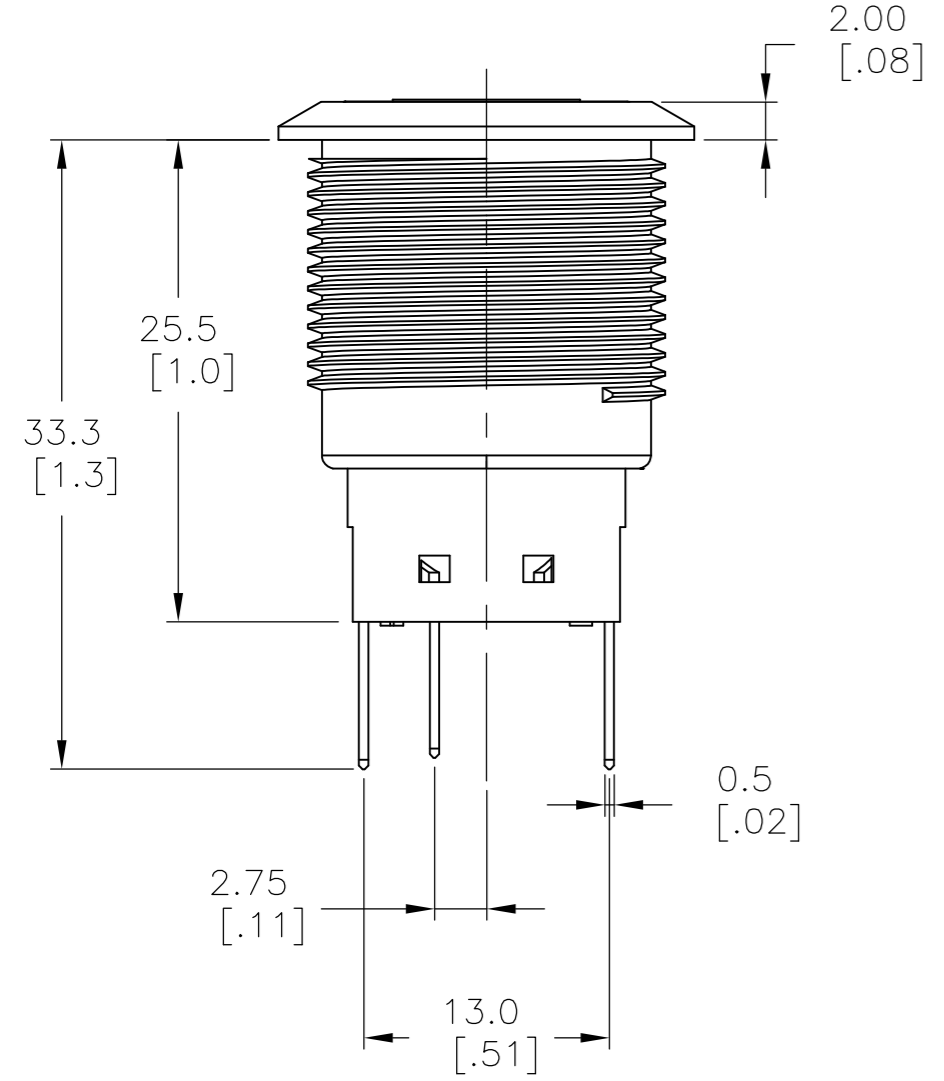
SINGLE POLE SWITCH WITH DUAL COLOR LED'S



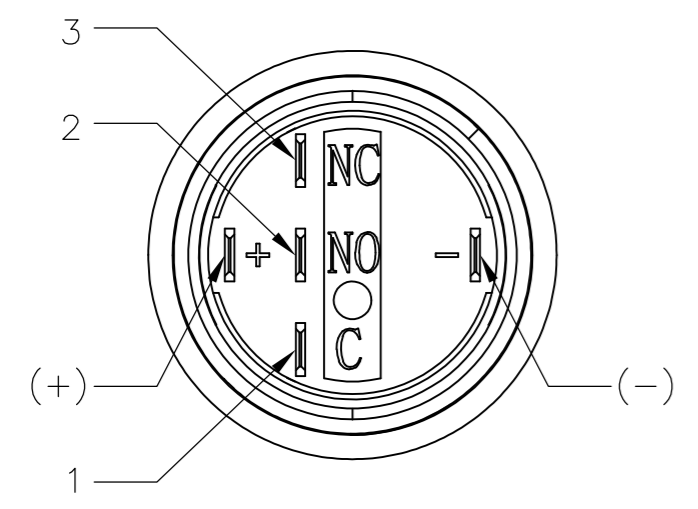
PANEL CUTOUT
 MAX.PANEL THICKNESS: 10.00[.394]



ASSEMBLED VIEW



EXPLODED VIEW



SPECIFICATION:
 CONTACT RATING: SILVER; 3A @ 250VAC RESISTIVE
 GOLD; 0.4A @ 20VDC OR PEAK AC
 INSULATION RESISTANCE: 1,000MΩ MIN AT 500VDC
 DIELECTRIC STRENGTH: 2,000V RMS @ SEA LEVEL
 CONTACT RESISTANCE: 50mΩ MAX @ 1A 12VDC (INITIAL VALUE), SOLDER TERMINALS
 100mΩ MAX @ 1A 12VDC (INITIAL VALUES), FLYING LEADS.
 ELECTRICAL LIFE CYCLES: 50,000 MAKE AND BREAK CYCLES AT FULL LOAD.
 ACTUATION FORCE: SP: 2.5±1 NEWTON. DP: 3.5±1 NEWTON
 ACTUATION TRAVEL: 3.2MM
 SEALED PER IP67, IK10 (STAINLESS)
 OPERATING TEMPERATURE: -20°C TO +55°C
 MECHANICAL LIFECYCLES: MOMENTARY; 1,000,000 CYCLES
 LOCKING; 500,000 CYCLES
 HARDWARE TORQUE: 5-14 N-m.

MATERIALS
 BUSHING: STAINLESS STEEL,
 BASE: PBT (UL 94-V0), PC (UL 94-V2),
 ACTUATOR: STAINLESS STEEL, PC
 SEALING: O-RING (SILICONE),
 TERMINAL/CONTACT: COPPER BASE, SILVER/GOLD PLATED,
 HEX NUT: BRASS BASE, NICKEL PLATED,
 WIRE:UL3385.

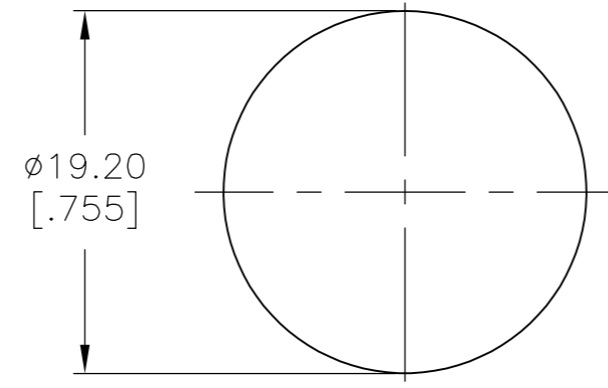
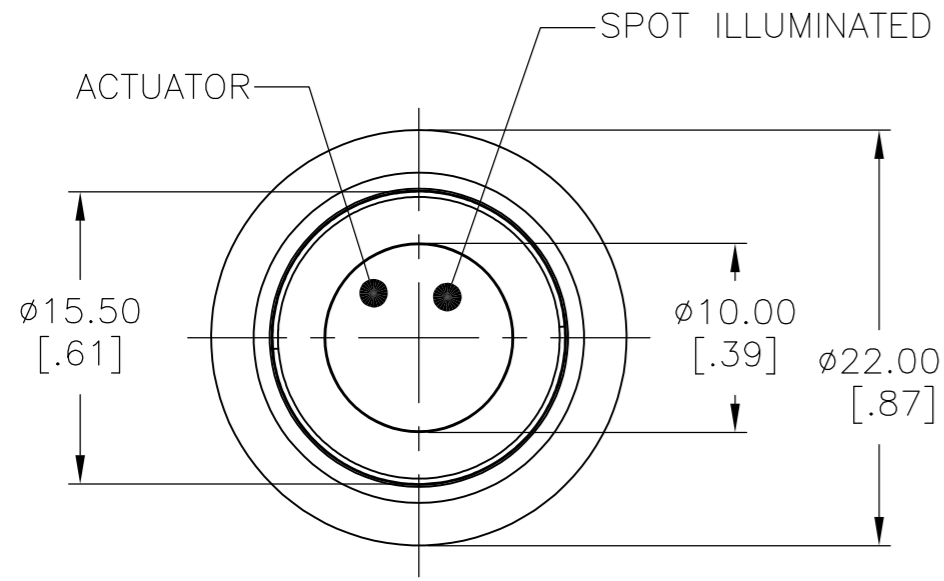
1. ALL MATERIAL AND FINISHES SHALL COMPLY WITH EU DIRECTIVE 2002/95/EC OF 27JAN2003(ROHS).

THIS DRAWING IS A CONTROLLED DOCUMENT.		DWN	13MAR2017	TE TE Connectivity	
		CHK	14MAR2017		
DIMENSIONS: mm [INCHES]		TOLERANCES UNLESS OTHERWISE SPECIFIED:		NAME	
0 PLC ± -		1 PLC ± 0.4[.016]		ANTI-VANDAL SWITCH 19mm DUAL COLOR LED, FLYING LEADS WITH SPOT LED	
2 PLC ± 0.25[.010]		3 PLC ± -		SIZE	
4 PLC ± -		ANGLES ± 2°		CAGE CODE	
MATERIAL		FINISH		DRAWING NO	
				A2 00779	
		WEIGHT		RESTRICTED TO	
		0		-	
CUSTOMER DRAWING		SCALE		SHEET	
		1:1		1 of 5	
		REV		A	

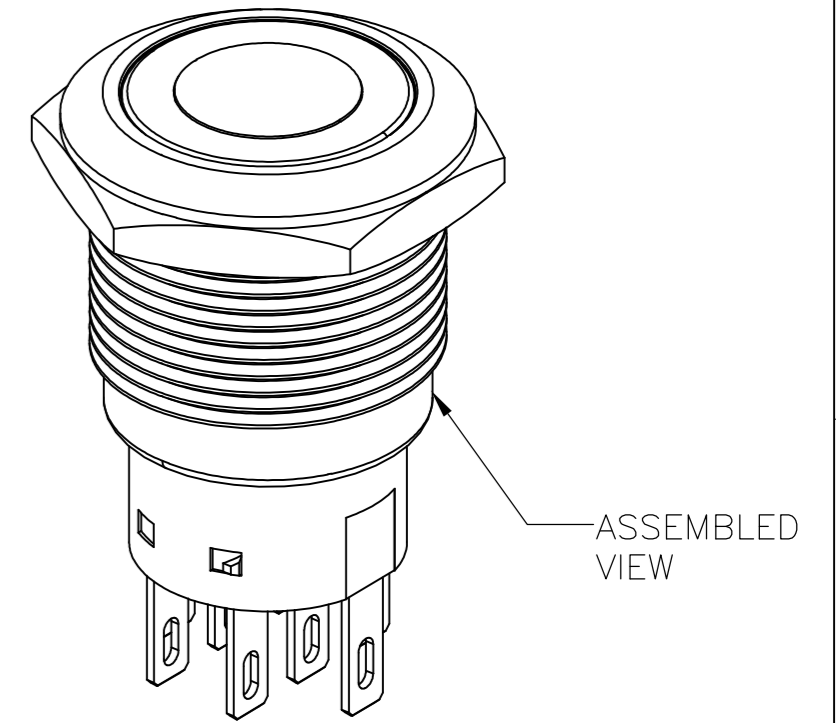
THIS DRAWING IS UNPUBLISHED. RELEASED FOR PUBLICATION
 © COPYRIGHT - TE Connectivity ALL RIGHTS RESERVED.

REVISIONS					
P	LTR	DESCRIPTION	DATE	DWN	APVD
-	-	SEE SHEET 1	-	-	-

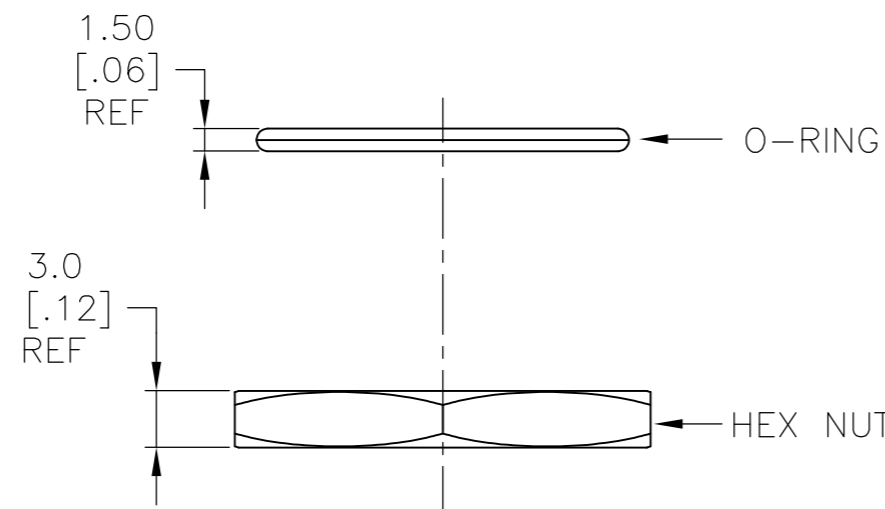
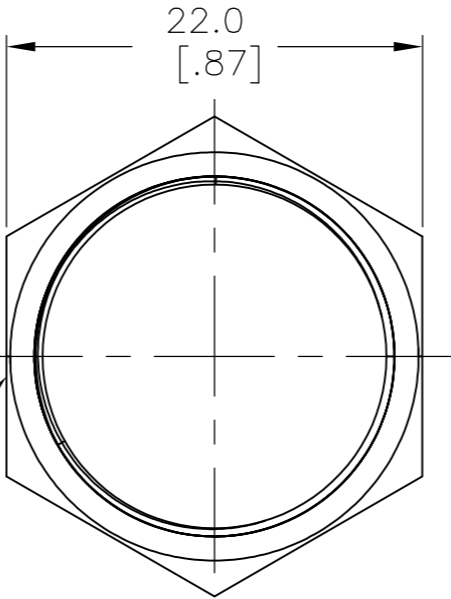
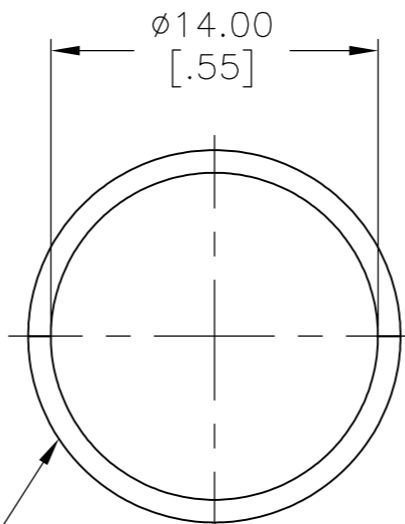
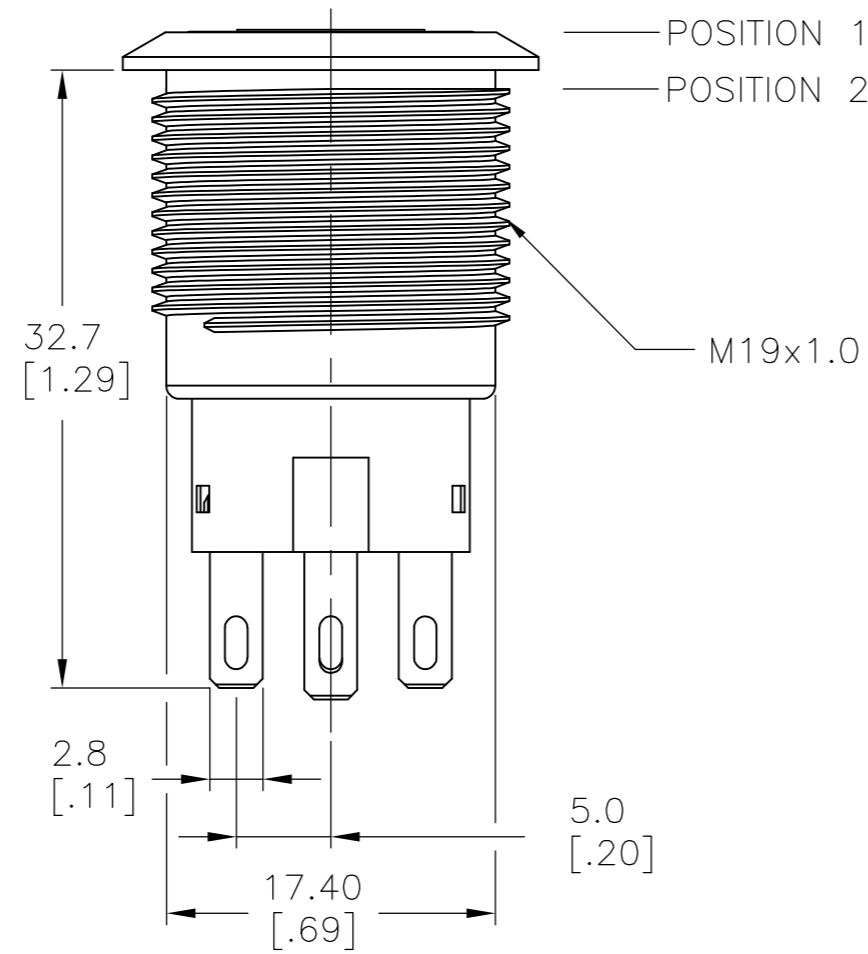
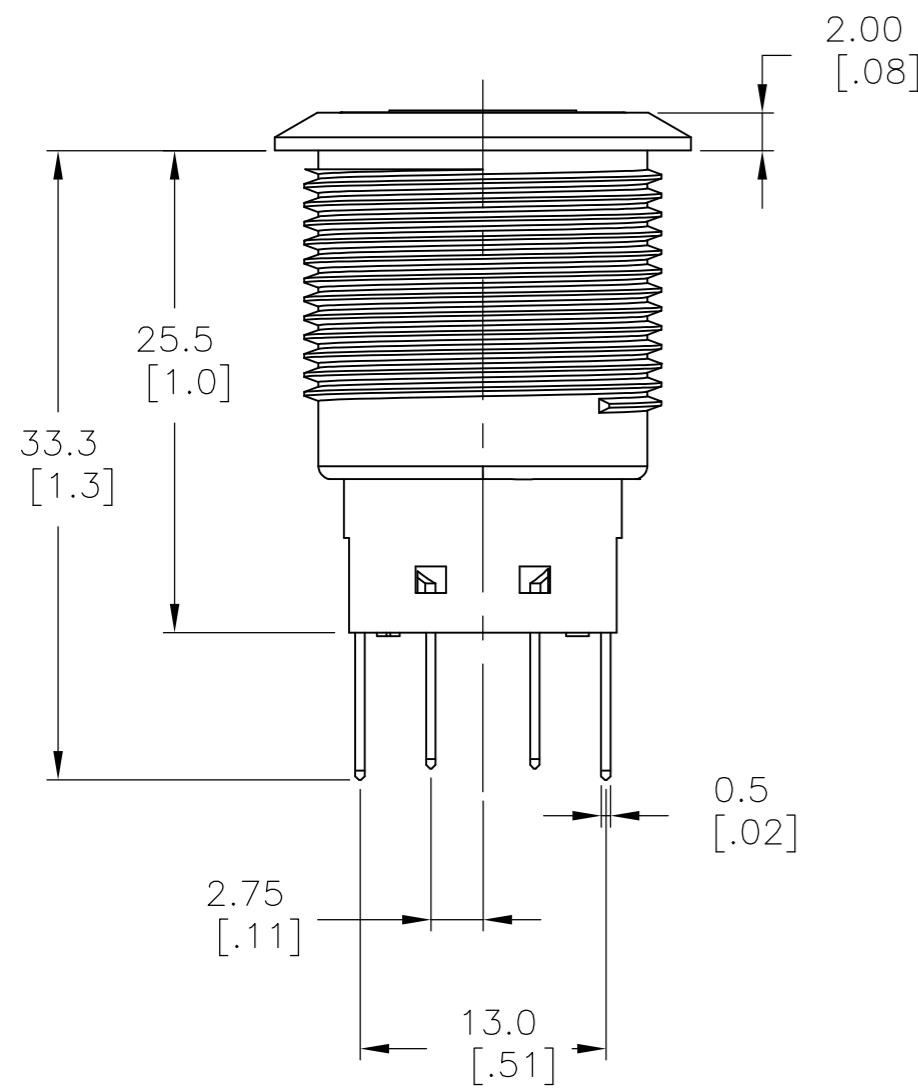
DOUBLE POLE SWITCH WITH DUAL COLOR LED'S



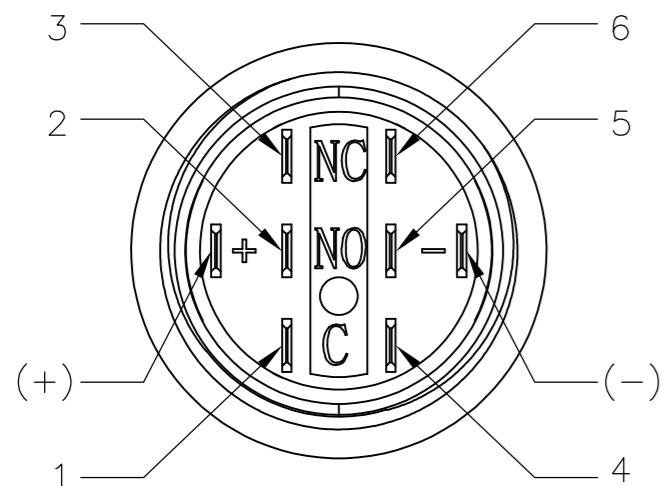
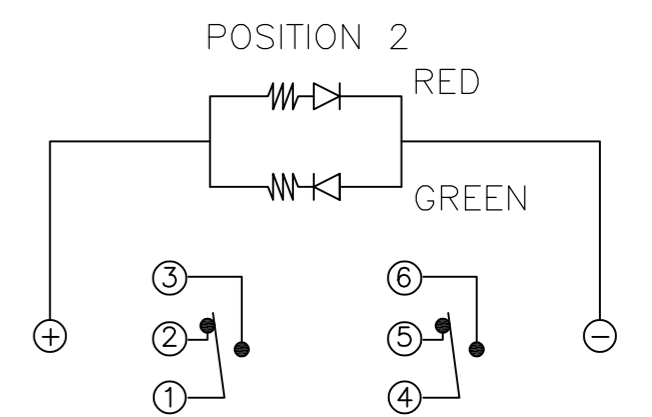
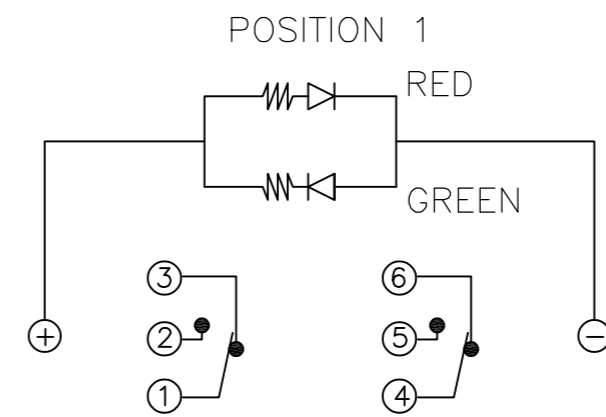
PANEL CUTOUT
 MAX.PANEL THICKNESS: 10.00[.394]



ASSEMBLED VIEW



EXPLODED VIEW

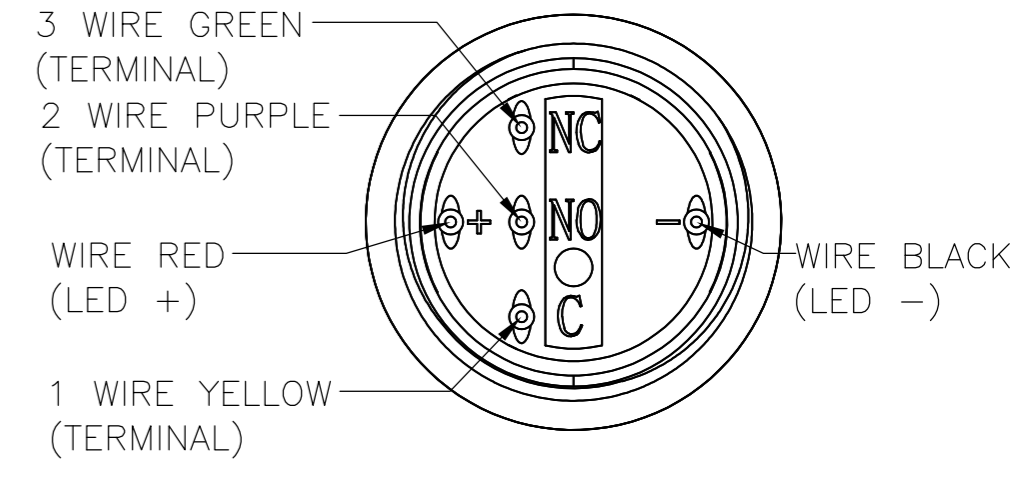
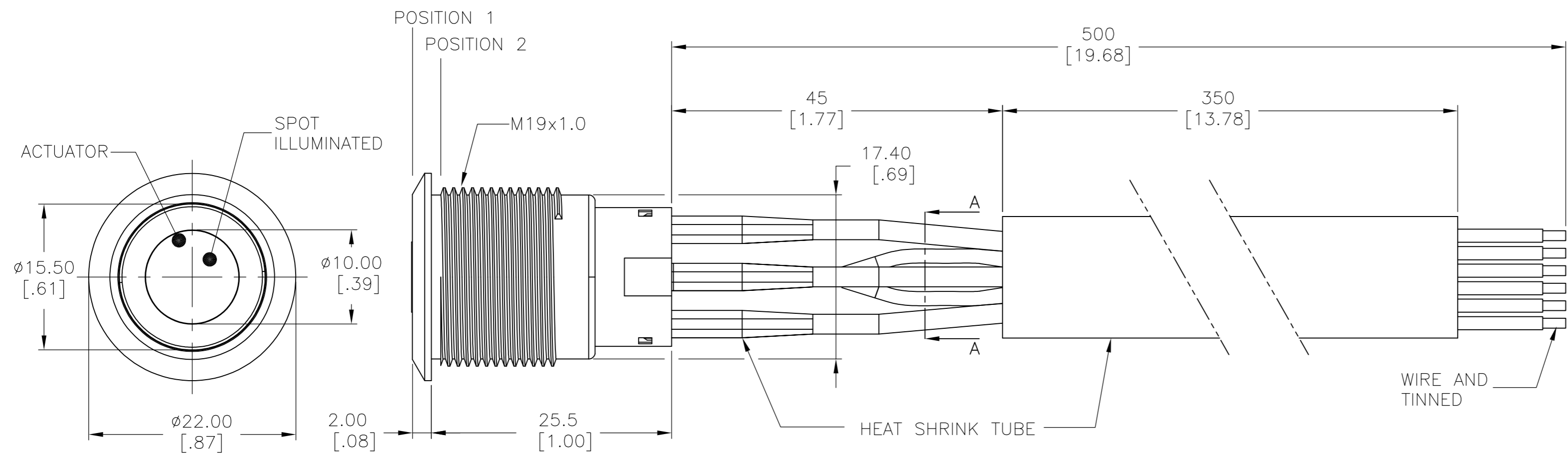


THIS DRAWING IS A CONTROLLED DOCUMENT.		DWN 13MAR2017 SHIVAKUMAR S S				
DIMENSIONS: mm [INCHES]		CHK 14MAR2017 SANJAY SHINDIKAR				
TOLERANCES UNLESS OTHERWISE SPECIFIED:		APVD 14MAR2017 SANJAY SHINDIKAR	NAME ANTI-VANDAL SWITCH 19mm DUAL COLOR LED, FLYING LEADS WITH SPOT LED			
0 PLC ± -		PRODUCT SPEC	SIZE	CAGE CODE	DRAWING NO	RESTRICTED TO
1 PLC ± 0.4[.016]		APPLICATION SPEC	A2	00779	C=2316542	-
2 PLC ± 0.25[.010]		WEIGHT	SCALE 1:1		SHEET 2 of 5	REV A
3 PLC ± -		MATERIAL	CUSTOMER DRAWING			
4 PLC ± -		FINISH				
ANGLES ± 2°						

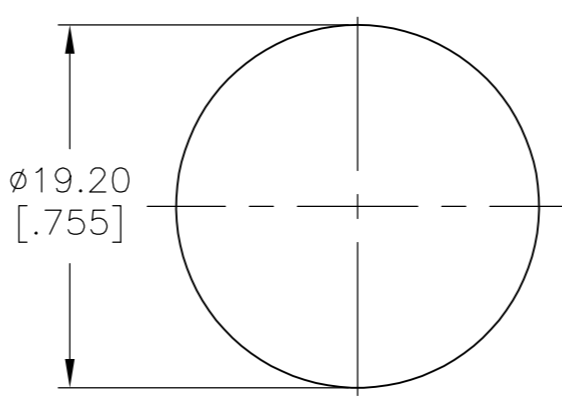
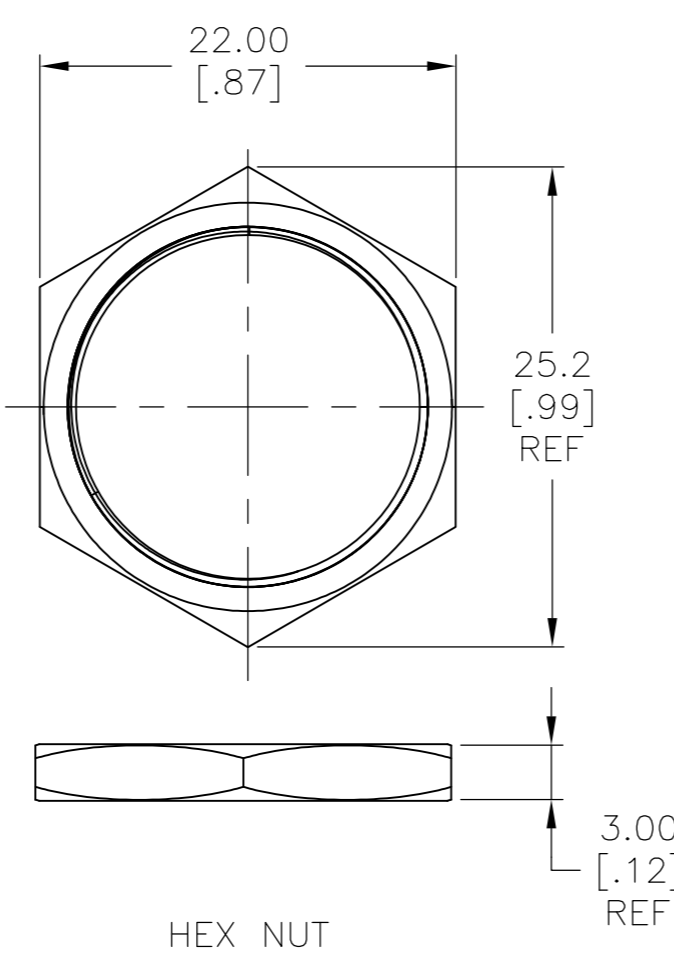
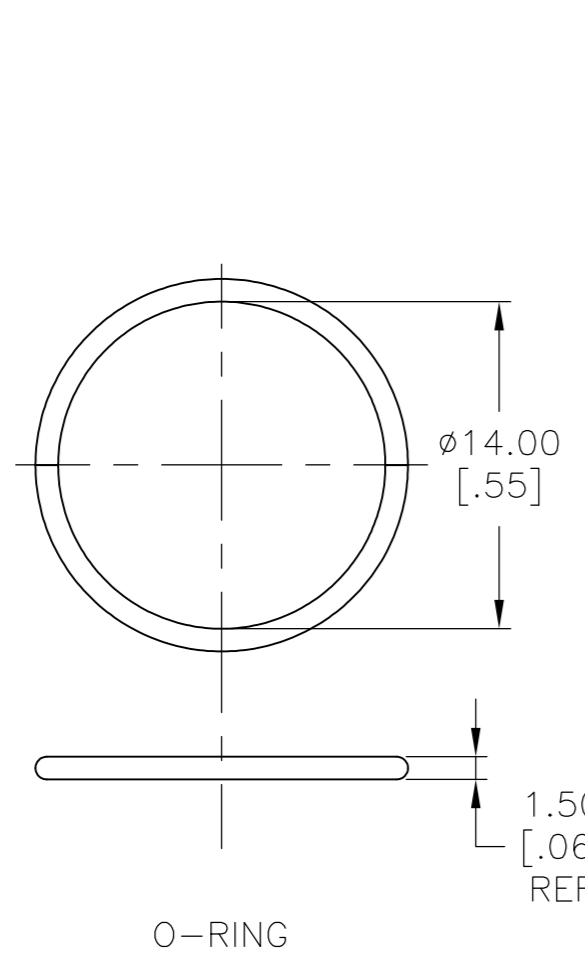
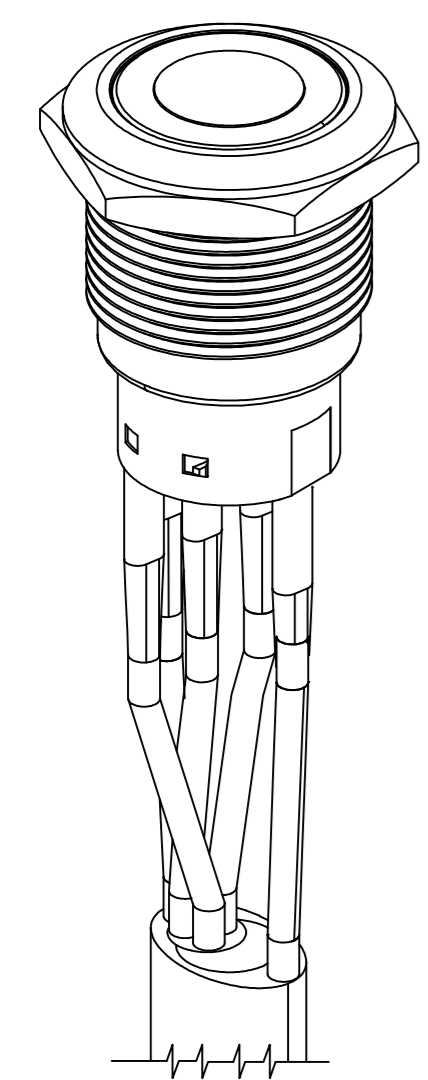
THIS DRAWING IS UNPUBLISHED. RELEASED FOR PUBLICATION
 © COPYRIGHT - TE Connectivity ALL RIGHTS RESERVED.

REVISIONS					
P	LTR	DESCRIPTION	DATE	DWN	APVD
-	-	SEE SHEET 1	-	-	-

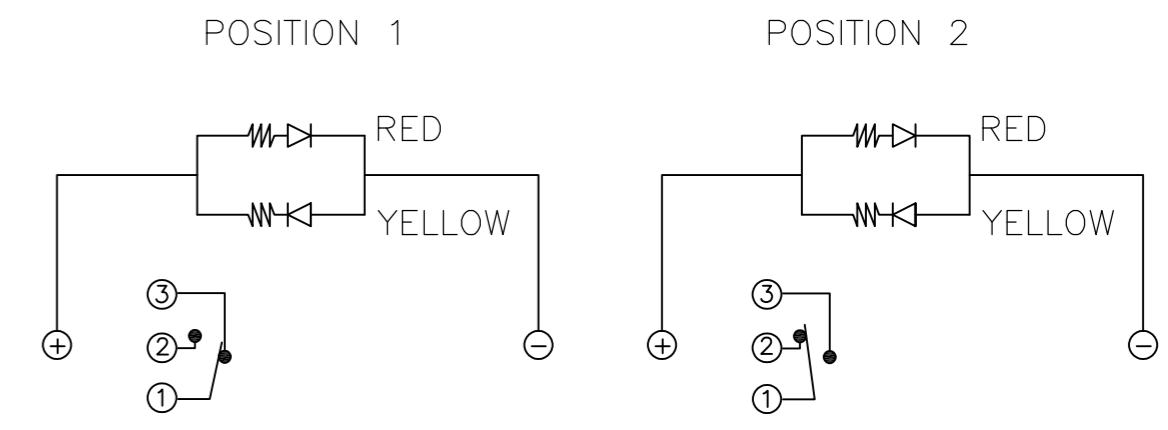
SINGLE POLE SWITCH WITH DUAL COLOR LED'S AND FLYING LEADS



WIRE=18AWG, 300V(BLACK/YELLOW/GREEN/RED/PURPLE)



PANEL CUTOUT
 MAX.PANEL THICKNESS: 10.00[.394]

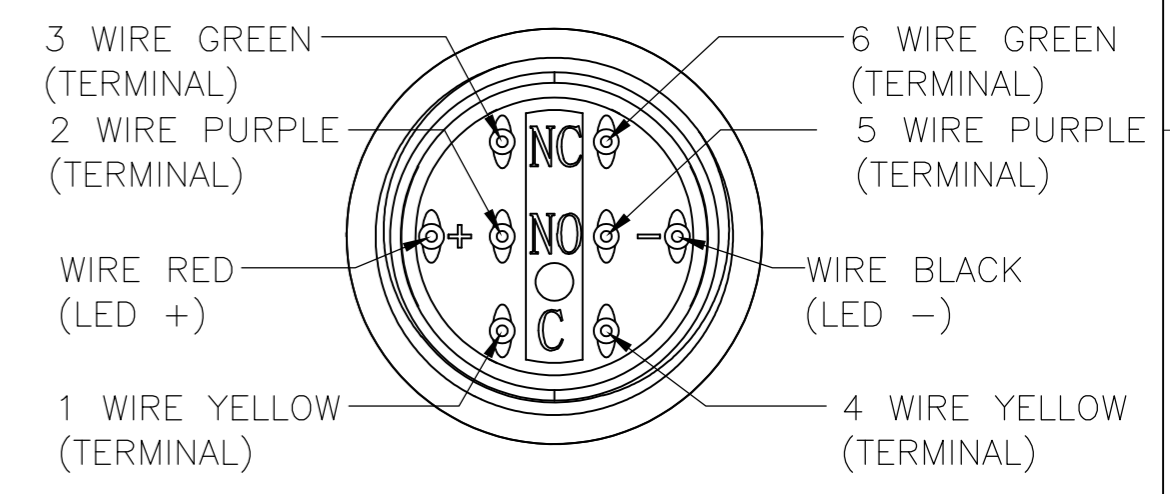
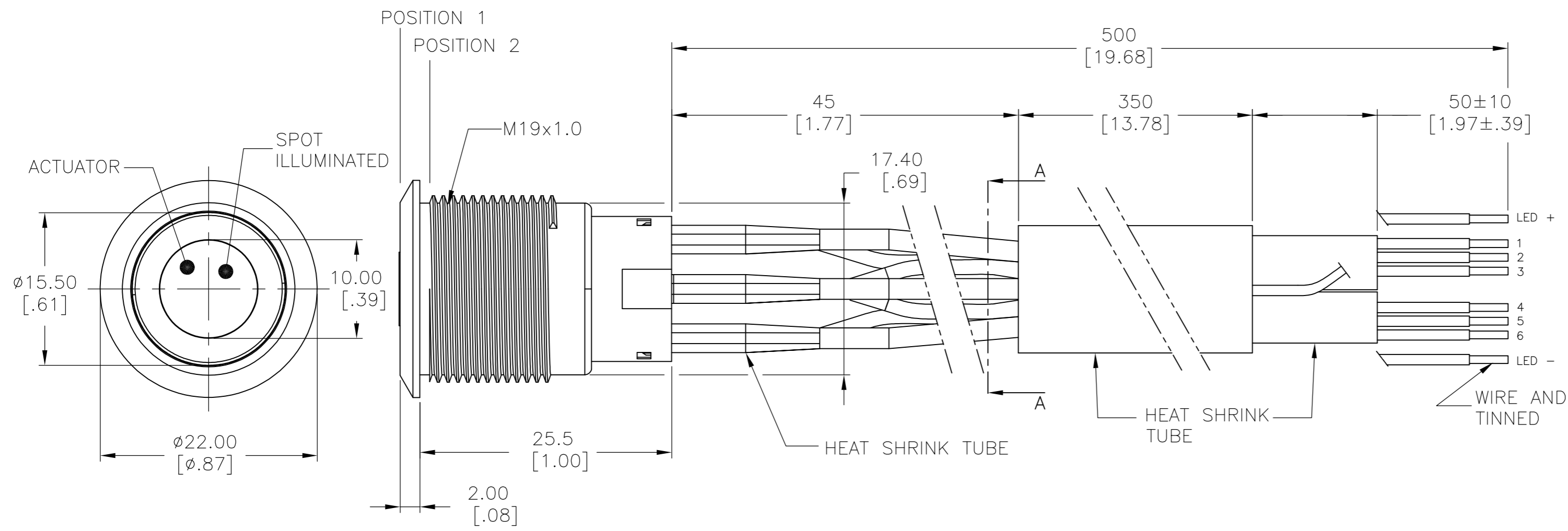


THIS DRAWING IS A CONTROLLED DOCUMENT.		DWN 13MAR2017 SHIVAKUMAR S S	TE TE Connectivity	
DIMENSIONS: mm [INCHES]		CHK 14MAR2017 SANJAY SHINDIKAR		
TOLERANCES UNLESS OTHERWISE SPECIFIED:		APVD 14MAR2017 SANJAY SHINDIKAR	NAME ANTI-VANDAL SWITCH 19mm DUAL COLOR LED, FLYING LEADS WITH SPOT LED	
0 PLC ± -		PRODUCT SPEC	SIZE CAGE CODE DRAWING NO RESTRICTED TO	
1 PLC ± 0.4[.016]		APPLICATION SPEC	A2 00779 C=2316542 -	
2 PLC ± 0.25[.010]		WEIGHT 0	SCALE 1:1 SHEET 3 OF 5 REV A	
3 PLC ± -		CUSTOMER DRAWING		
4 PLC ± -				
ANGLES ± 2°				
FINISH -				

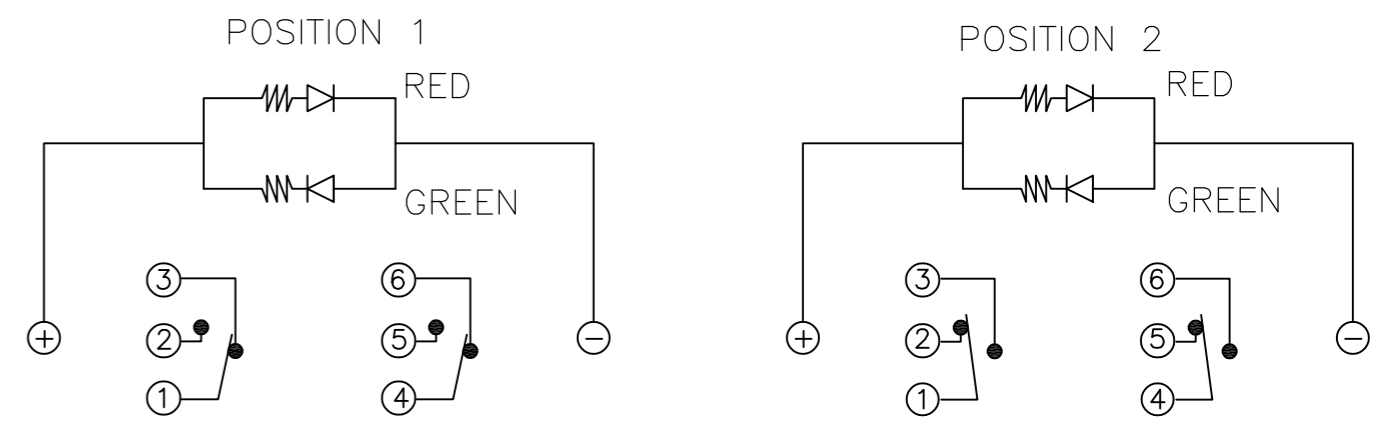
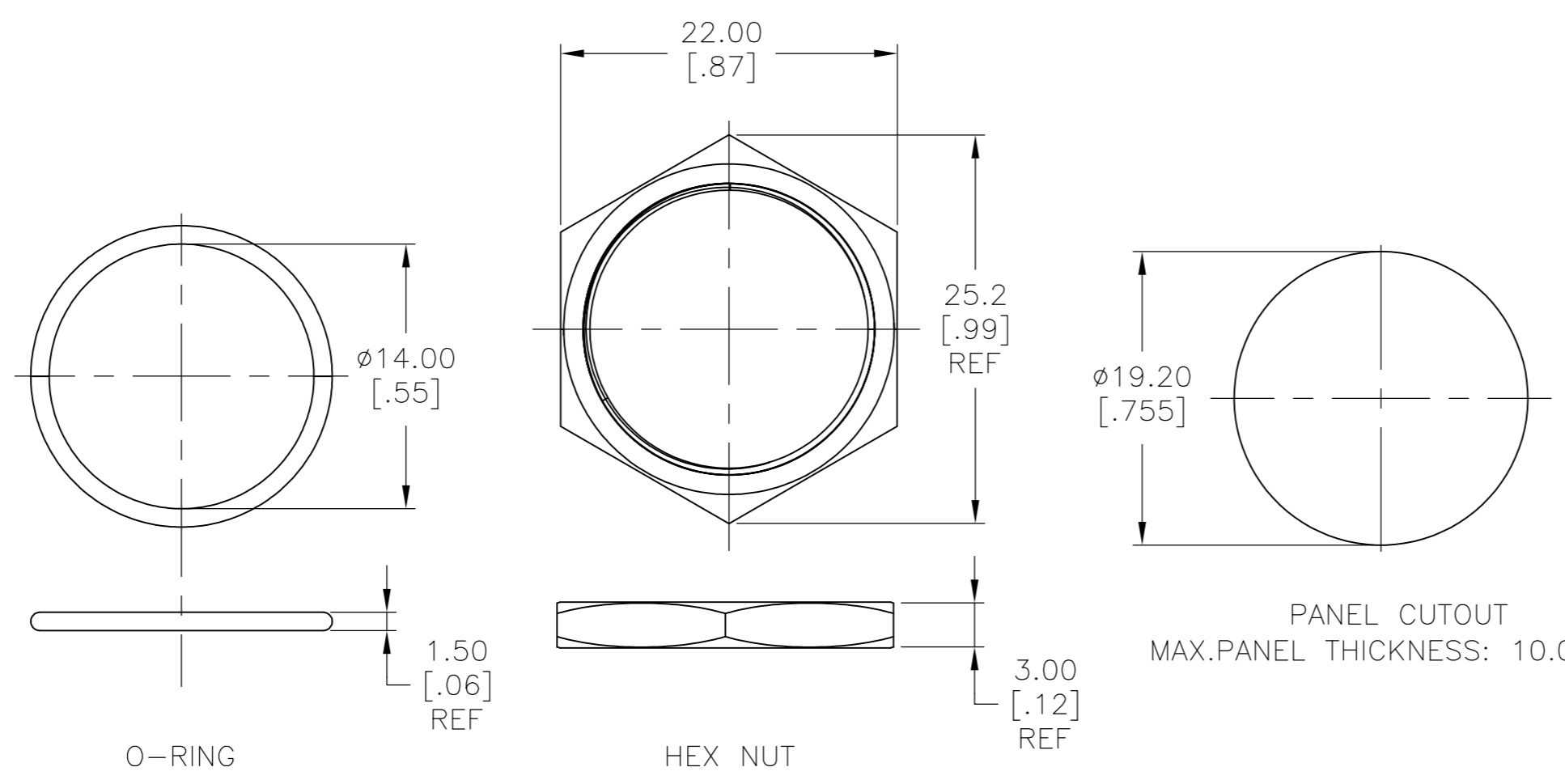
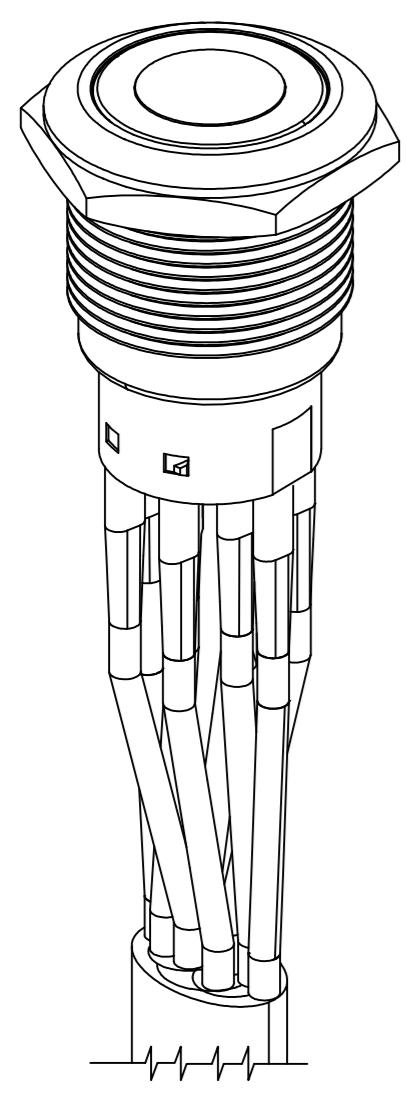
THIS DRAWING IS UNPUBLISHED. RELEASED FOR PUBLICATION
 © COPYRIGHT - TE Connectivity ALL RIGHTS RESERVED.

REVISIONS					
P	LTR	DESCRIPTION	DATE	DWN	APVD
-	-	SEE SHEET 1	-	-	-

DOUBLE POLE SWITCH WITH DUAL COLOR LED'S AND FLYING LEADS



WIRE=18AWG, 300V(BLACK/YELLOW/GREEN/RED/PURPLE)




THIS DRAWING IS A CONTROLLED DOCUMENT.		DWN	13MAR2017		TE Connectivity
DIMENSIONS: mm [INCHES]		CHK	14MAR2017		
TOLERANCES UNLESS OTHERWISE SPECIFIED:		APVD	14MAR2017		
0 PLC ± - 1 PLC ± 0.4[.016] 2 PLC ± 0.25[.010] 3 PLC ± - 4 PLC ± - ANGLES ± 2°		PRODUCT SPEC	NAME		
MATERIAL		FINISH	WEIGHT	ANTI-VANDAL SWITCH 19mm DUAL COLOR LED, FLYING LEADS WITH SPOT LED	
			0	SIZE	RESTRICTED TO
				A2	
				CAGE CODE	
				00779	
				DRAWING NO	
				C=2316542	
				SCALE	
				1:1	
				SHEET	
				4 OF 5	
				REV	
				A	

THIS DRAWING IS UNPUBLISHED. RELEASED FOR PUBLICATION
 © COPYRIGHT - TE Connectivity ALL RIGHTS RESERVED.

REVISIONS					
P	LTR	DESCRIPTION	DATE	DWN	APVD
-	-	SEE SHEET 1	-	-	-

CONTACT PLATING	LIGHT TYPE	TERMINAL OPTION	POLE/THROW	LED COLOR	LED VOLTAGE	TE DESCRIPTIVE PART NUMBER	TE PART NUMBER
SILVER	SPOT RING	FLYING LEAD TERMINALS	DOUBLE POLE - MOMENTARY	RED & YELLOW	24	AV1920DG24T5Q04	4-2316542-7
					12	AV1920DG12T5Q04	4-2316542-6
				RED & BLUE	24	AV1920DB24T5Q04	4-2316542-5
					12	AV1920DB12T5Q04	4-2316542-4
				RED & GREEN	24	AV1920DA24T5Q04	4-2316542-3
					12	AV1920DA12T5Q04	4-2316542-2
			SINGLE POLE - LOCKING	RED & YELLOW	24	AV1911DG24T5Q04	4-2316542-1
					12	AV1911DG12T5Q04	4-2316542-0
				RED & BLUE	24	AV1911DB24T5Q04	3-2316542-9
					12	AV1911DB12T5Q04	3-2316542-8
				RED & GREEN	24	AV1911DA24T5Q04	3-2316542-7
					12	AV1911DA12T5Q04	3-2316542-6
		SOLDER TERMINALS	DOUBLE POLE - MOMENTARY	RED & YELLOW	24	AV1910DG24T5Q04	3-2316542-5
					12	AV1910DG12T5Q04	3-2316542-4
				RED & BLUE	24	AV1910DB24T5Q04	3-2316542-3
					12	AV1910DB12T5Q04	3-2316542-2
				RED & GREEN	24	AV1910DA24T5Q04	3-2316542-1
					12	AV1910DA12T5Q04	3-2316542-0
			SINGLE POLE - LOCKING	RED & YELLOW	24	AV1920DG24Q04	1-2316542-8
					12	AV1920DG12Q04	1-2316542-7
				RED & BLUE	24	AV1920DB24Q04	1-2316542-6
					12	AV1920DB12Q04	1-2316542-5
				RED & GREEN	24	AV1920DA24Q04	1-2316542-4
					12	AV1920DA12Q04	1-2316542-3
SOLDER TERMINALS	SINGLE POLE - LOCKING	RED & YELLOW	24	AV1911DG24Q04	1-2316542-2		
			12	AV1911DG12Q04	1-2316542-1		
		RED & BLUE	24	AV1911DB24Q04	1-2316542-0		
			12	AV1911DB12Q04	2316542-9		
		RED & GREEN	24	AV1911DA24Q04	2316542-8		
			12	AV1911DA12Q04	2316542-7		
	SINGLE POLE - MOMENTARY	RED & YELLOW	24	AV1910DG24Q04	2316542-6		
			12	AV1910DG12Q04	2316542-5		
		RED & BLUE	24	AV1910DB24Q04	2316542-4		
			12	AV1910DB12Q04	2316542-3		
		RED & GREEN	24	AV1910DA24Q04	2316542-2		
			12	AV1910DA12Q04	2316542-1		

THIS DRAWING IS A CONTROLLED DOCUMENT.		DWN 13MAR2017 SHIVAKUMAR S S	 TE Connectivity																							
DIMENSIONS: mm [INCHES]		CHK 14MAR2017 SANJAY SHINDIKAR																								
TOLERANCES UNLESS OTHERWISE SPECIFIED:		APVD 14MAR2017 SANJAY SHINDIKAR																								
<table border="1"> <tr><td>0</td><td>PLC</td><td>±</td><td>-</td></tr> <tr><td>1</td><td>PLC</td><td>±</td><td>0.4[.016]</td></tr> <tr><td>2</td><td>PLC</td><td>±</td><td>0.25[.010]</td></tr> <tr><td>3</td><td>PLC</td><td>±</td><td>-</td></tr> <tr><td>4</td><td>PLC</td><td>±</td><td>-</td></tr> <tr><td colspan="2">ANGLES</td><td>±</td><td>2°</td></tr> </table>		0			PLC	±	-	1	PLC	±	0.4[.016]	2	PLC	±	0.25[.010]	3	PLC	±	-	4	PLC	±	-	ANGLES		±
0	PLC	±	-																							
1	PLC	±	0.4[.016]																							
2	PLC	±	0.25[.010]																							
3	PLC	±	-																							
4	PLC	±	-																							
ANGLES		±	2°																							
MATERIAL	FINISH	WEIGHT 0	SIZE A2	CAGE CODE 00779																						
CUSTOMER DRAWING		SCALE 1:1	DRAWING NO C-2316542	RESTRICTED TO																						
			SHEET 5 of 5	REV A																						