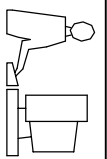


TOLERANCE UNLESS OTHERWISE SPECIFIED IN MM: 0 ±0.2 0.00 ±0.1 0.000 ±0.005

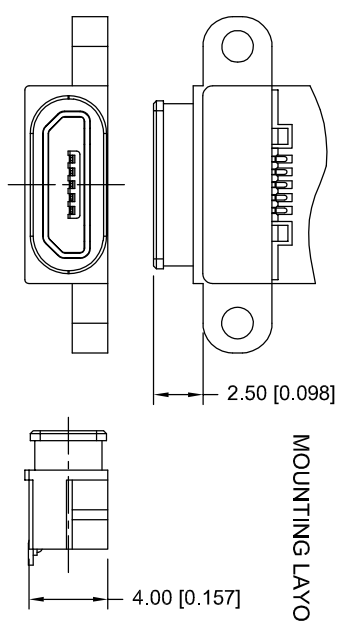
ANGLE 1°

THIS IS A C.A.D. GENERATED DRAWING DO NOT MAKE MANUAL REVISIONS TO MASTER.

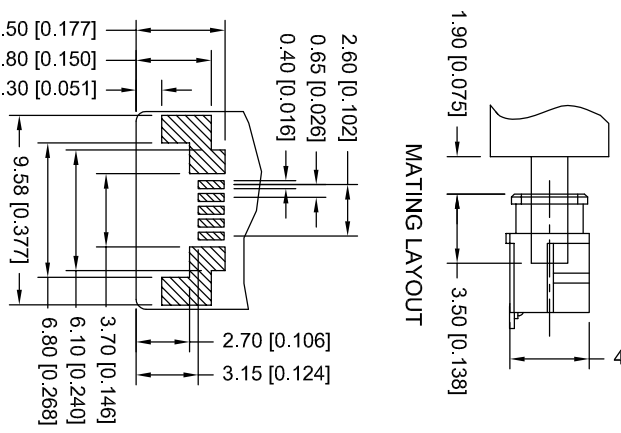


ISSUE NUMBER	ADD PACKAGING SPECS
②	ADD PACKAGING SPECS
③	SEE PAGE 2 OF 2
④	R.STA.MONICA SEPT.16/2014
⑤	R.STA.MONICA SEPT.16/2014
⑥	ADD NOTE 3: O-RING
⑦	R.STA.MONICA MAY.20/2015
⑧	ADD NOTE 4: TUBE PACKAGING PART NO.
⑨	R.STA.MONICA MAY.20/2015
⑩	UPDATE GASKET TO SINGLE POINT O-RING
⑪	R.STA.MONICA SEPT.26/2016

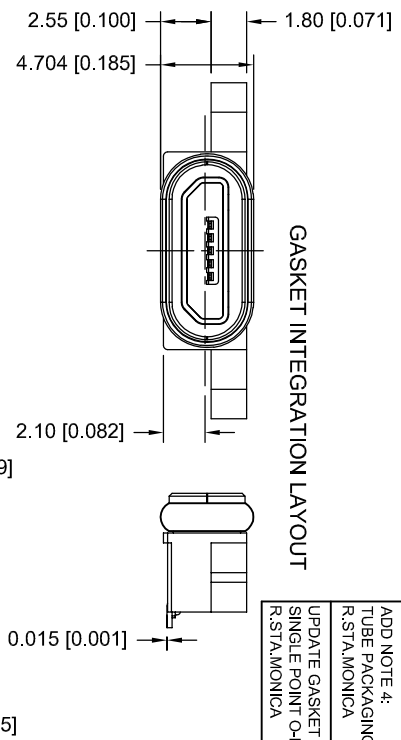
**MOUNTING LAYOUT**



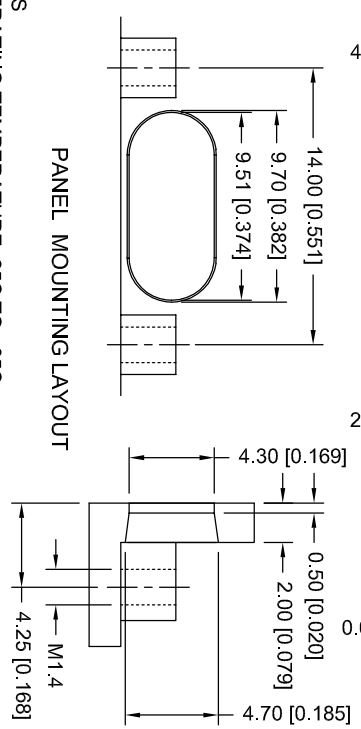
**MATING LAYOUT**



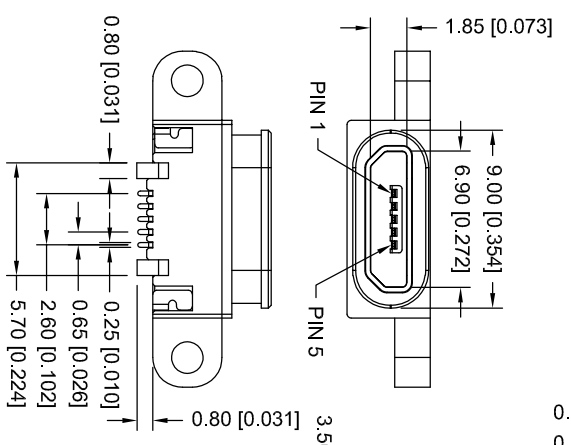
**GASKET INTEGRATION LAYOUT**



**PANEL MOUNTING LAYOUT**



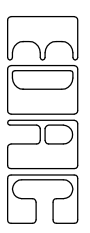
- NOTES**
- OPERATING TEMPERATURE:-25C TO +85C
  - MATERIALS:**  
INSULATOR: LCP, UL94 V-0, COLOR: BLACK  
CONTACT: PHOSPHOR BRONZE, WITH 10 µIN OF GOLD PLATING ON CONTACT AREA, AND GOLD FLASH ON SOLDER AREA OVER NICKEL UNDERPLATING  
SHELL: STAINLESS STEEL, WITH MATTE TIN PLATING  
PAD: BRASS, WITH MATTE TIN PLATING
  - MATCH WITH O-RING PART NO. M00-556-001
  - PART NO:**  
690-W05-290-483  
690-W05-290-783  
TUBE PACKAGING (200PCS PER TUBE)



**WATERPROOF MICRO USB 5P(F) SMT TYPE**



THIS SERIES FULLY CONFORMS TO THE EUROPEAN UNION DIRECTIVES 2002/95/EC AND 2002/96/EC FOR ROHS COMPLIANCY.



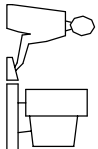
EDAC INC  
TORONTO, ONTARIO  
CANADA

YOUR CONNECTION TO QUALITY & SERVICE

THESE DRAWINGS AND SPECIFICATIONS ARE THE PROPERTY OF EDAC INC. AND SHALL NOT BE REPRODUCED OR COPIED OR USED AS THE BASIS FOR THE MANUFACTURE OR SALE OF APPARATUS WITHOUT WRITTEN PERMISSION.

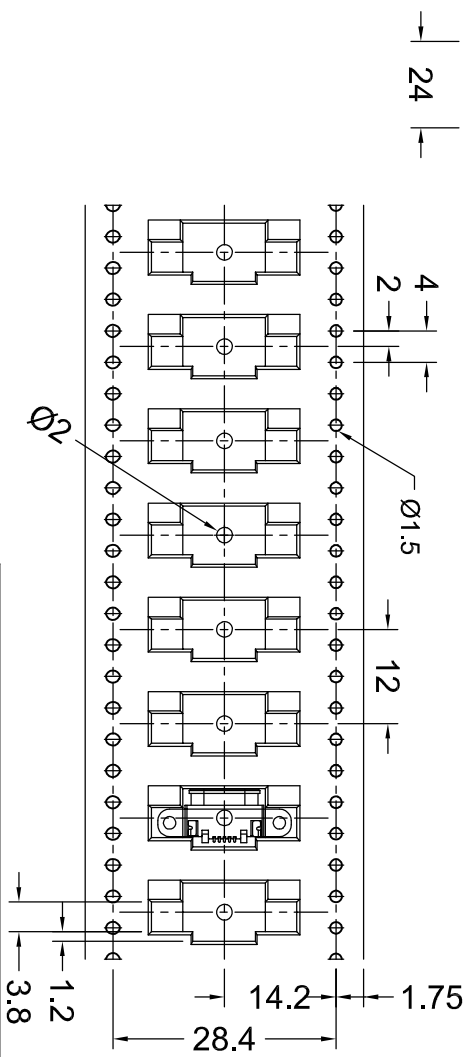
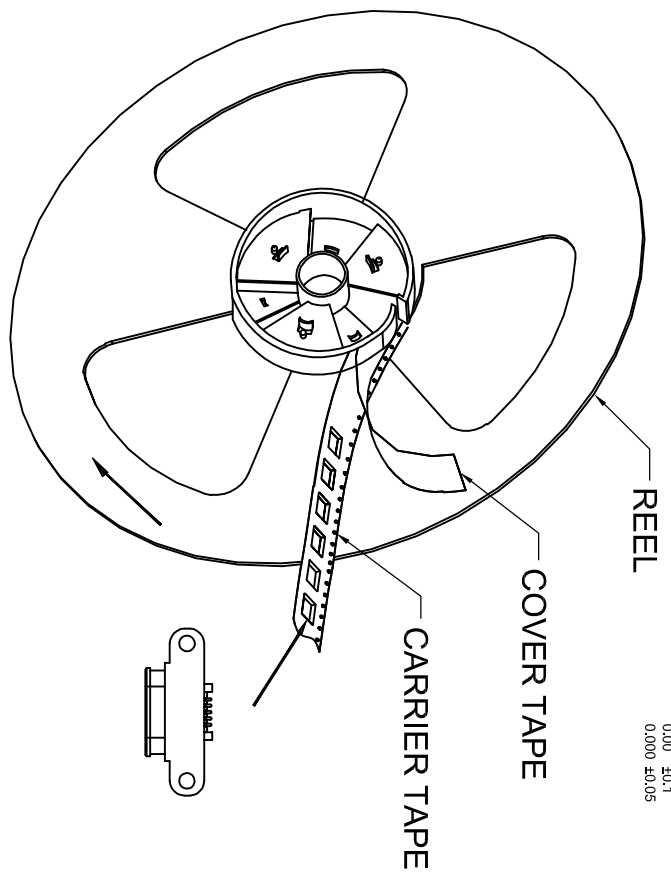
ACAD REFERENCE NO.:	690-W05-290-483
DRAWN:	R.STA.MONICA
DATE:	JAN.20/2014
CHECKED:	DATE:
PART NUMBER	

<b>SEE PART NO.</b>	SHEET 1 OF 2
DRAWING NUMBER	ISSUE
<b>690-W05-290-483</b>	5

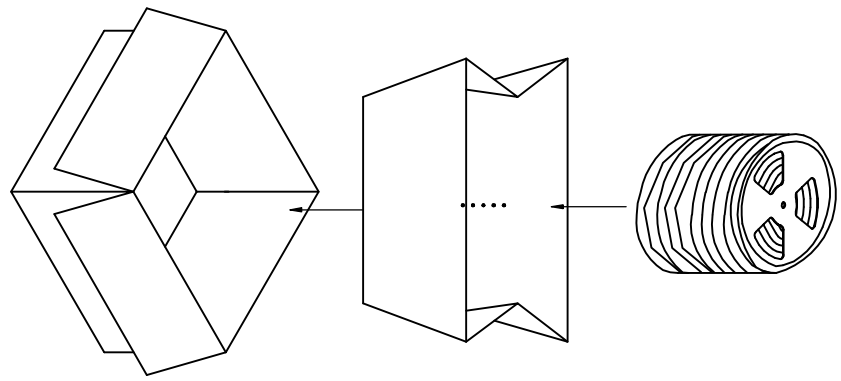


THIS IS A C.A.D. GENERATED DRAWING  
DO NOT MAKE MANUAL REVISIONS TO MASTER.

TOLERANCE UNLESS OTHERWISE  
SPECIFIED IN MM:  
0 ±0.2  
0.00 ±0.1  
0.000 ±0.05



QUANTITY PER REEL: 1100 PCS

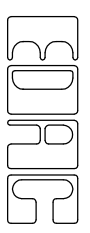


**WATERPROOF MICRO USB 5P(F) SMT TYPE  
TAPE & REEL PACKAGING SPECS**

ACAD REFERENCE NO.:	690-W05-290-483
DRAWN:	R.STA.MONICA
DATE:	SEPT.16/2014
CHECKED:	DATE:
PART NUMBER	
<b>SEE PART NO.</b>	SHEET 2 OF 2
DRAWING NUMBER	
<b>690-W05-290-483</b>	ISSUE
	5



THIS SERIES FULLY CONFORMS TO THE  
EUROPEAN UNION DIRECTIVES 2002/95/EC  
AND 2002/96/EC FOR ROHS COMPLIANCY.



EDAC INC  
TORONTO, ONTARIO  
CANADA

YOUR CONNECTION TO QUALITY & SERVICE

THESE DRAWINGS AND SPECIFICATIONS  
ARE THE PROPERTY OF EDAC INC. AND  
SHALL NOT BE REPRODUCED OR COPIED  
OR USED AS THE BASIS FOR THE  
MANUFACTURE OR SALE OF APPARATUS  
WITHOUT WRITTEN PERMISSION.