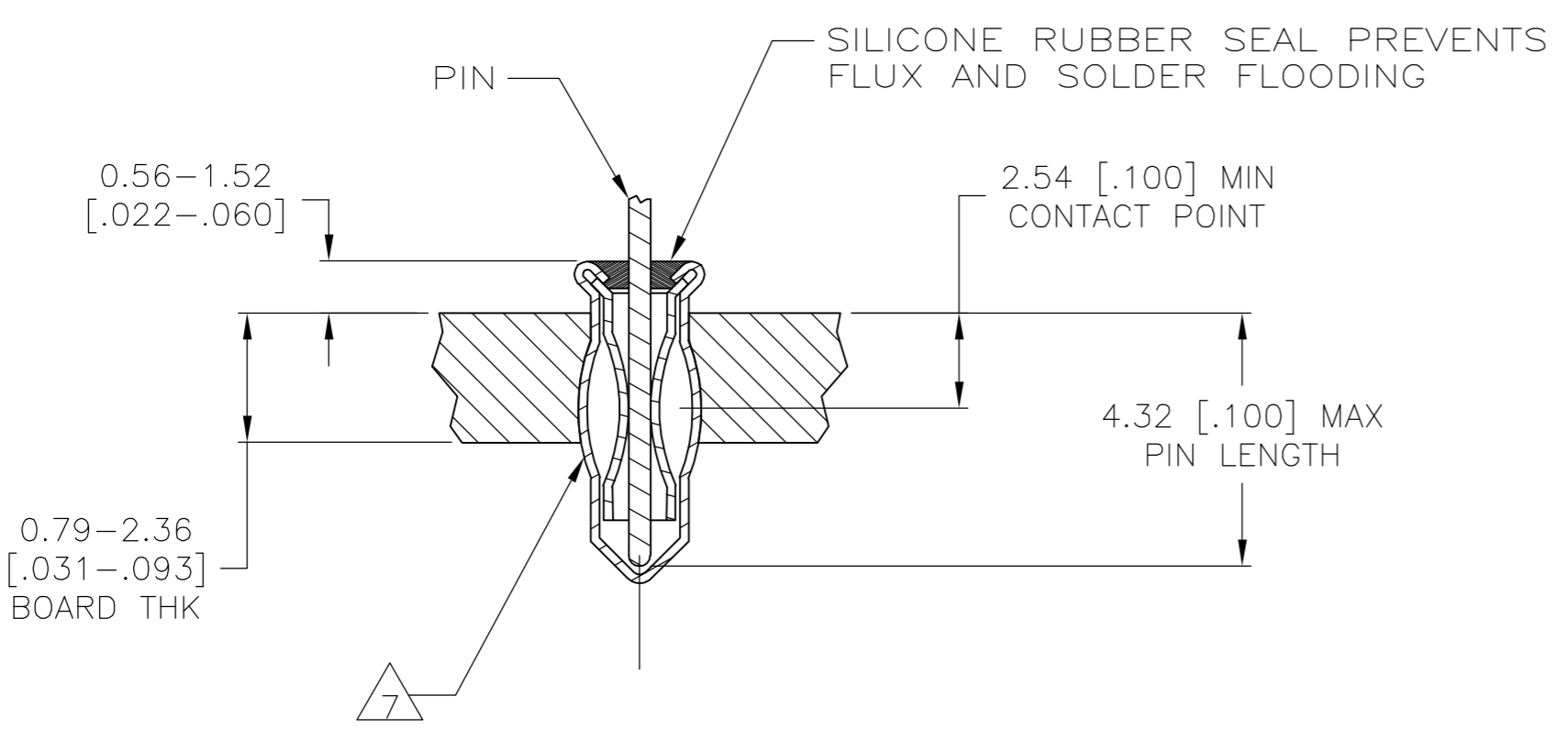
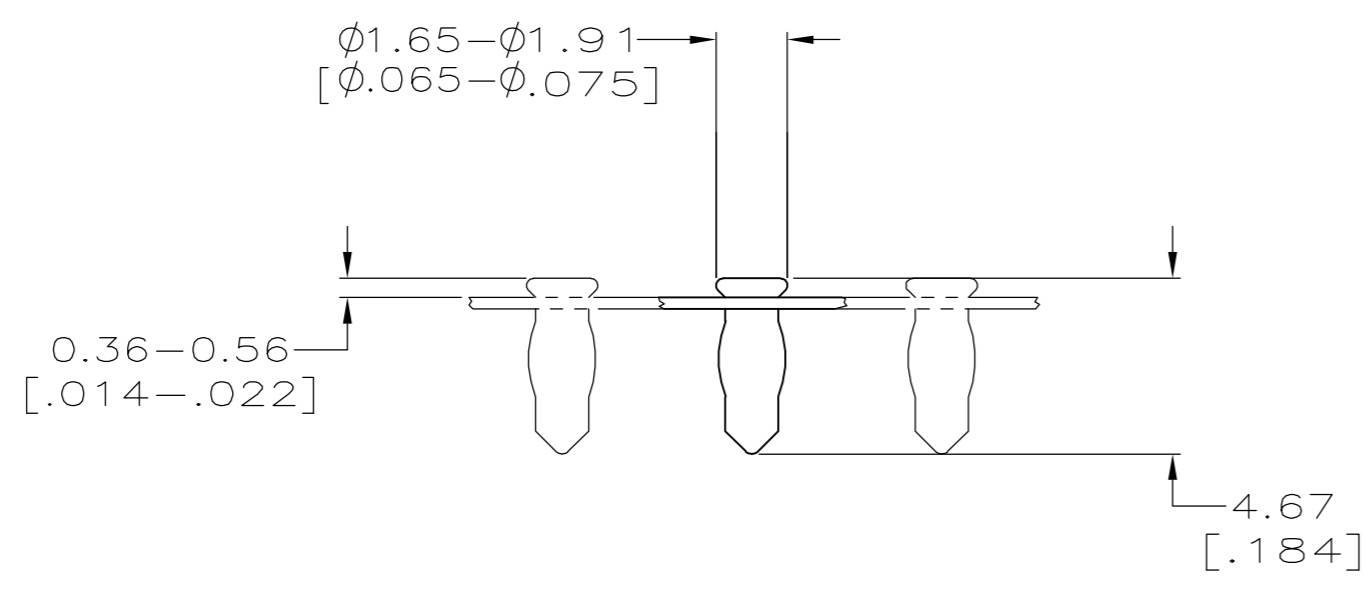
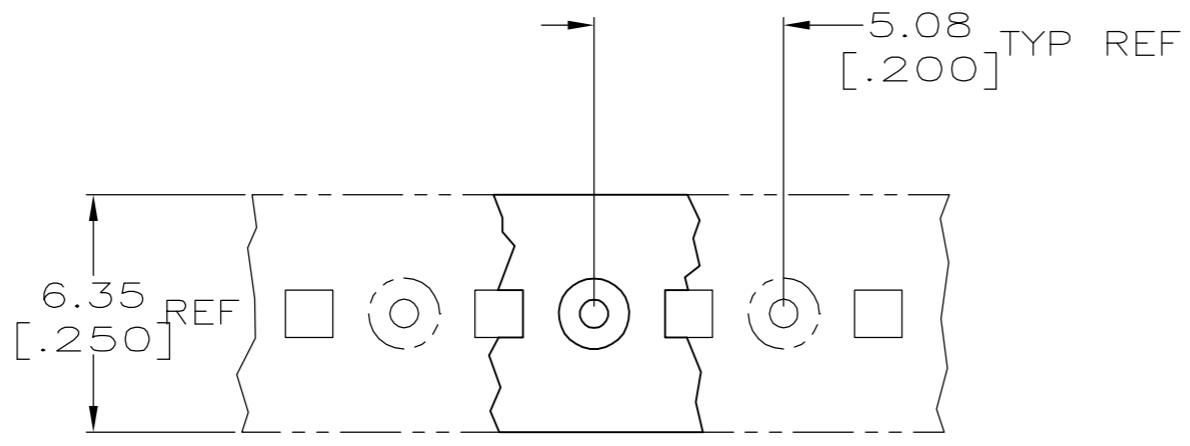


THIS DRAWING IS UNPUBLISHED. RELEASED FOR PUBLICATION
 © COPYRIGHT BY TYCO ELECTRONICS CORPORATION. ALL RIGHTS RESERVED.

| LOC | DIST | REVISIONS | | | | | |
|-----|------|-----------|-----|-----------------------|-----------|-----|------|
| AG | 53 | P | LTR | DESCRIPTION | DATE | DWN | APVD |
| | | K1 | | REV PER ECO-06-013364 | 12OCT2006 | BC | JH |



- 1 MATERIAL:
EYELET - COPPER (QQ-C-576)
SPRING - BERYLLIUM COPPER (QQ-C-533)
SEALANT - SILICONE RUBBER
- 2 TIN PLATE (MIL-T-10727)0.00381 [.000150] MIN THK.
- 3 TIN PLATE(MIL-T-10727)0.00254 [.000100] MIN THK.
- 4 GOLD PL(MIL-G-45204)0.00076 [.000030] MIN THK ON CONTACT AREA.
- 5 PACKAGED 50,000 PER REEL
- 6 TO INSURE 1/2 OZ MIN RETENTION DO NOT EXCEED 0.10 [.004] DIFFERENCE IN PIN DIA WHEN CHANGING TO A SMALLER DIA PIN
- 7 PRODUCT IS OVALIZED FOR RETENTION IN THE P.C. BOARD. THE RECOMMENDED HOLE DIAMETER IS $\phi 1.32$ [$\phi .052$] MINIMUM, +0.08 [.003] MAX. PRIOR TO SOLDERING.
- 8 TIN-LEAD PLATE 0.00381 [.000150] MIN THK.
- 9 PACKAGED 10,000 PER REEL

| | | | | | |
|----------|--------------------------|--|--------|--------|--------------|
| | 2.54-4.32 [.100-.170] | $\phi 0.36-\phi 0.66$ [$\phi .014-\phi .026$] | GOLD 4 | TIN 2 | 9 1-645955-2 |
| | 2.54-4.32 [.100-.170] | $\phi 0.36-\phi 0.66$ [$\phi .014-\phi .026$] | TIN 3 | TIN 2 | 9 1-645955-1 |
| | 2.54-4.32 [.100-.170] | $\phi 0.36-\phi 0.66$ [$\phi .014-\phi .026$] | GOLD 4 | TIN 8 | 5 645955-3 |
| OBSOLETE | 2.54-4.32 [.100-.170] | $\phi 0.36-\phi 0.66$ [$\phi .014-\phi .026$] | GOLD 4 | TIN 2 | 5 645955-2 |
| OBSOLETE | 2.54-4.32 [.100-.170] | $\phi 0.36-\phi 0.66$ [$\phi .014-\phi .026$] | TIN 3 | TIN 2 | 5 645955-1 |
| | LENGTH | DIA 6 | SPRING | EYELET | PART NO. |

| | | | | |
|--|--|--------------------------|---|-----------------|
| THIS DRAWING IS A CONTROLLED DOCUMENT. | | DWN M.BOWERS 12-20-82 | Tyco Electronics Corporation Harrisburg, Pa 17105-3608 | |
| DIMENSIONS: mm [INCHES] | | CHK P.MUTZABAUGH 6-10-85 | | |
| TOLERANCES UNLESS OTHERWISE SPECIFIED: | | APVD G.D. MILLER 6-10-85 | NAME | |
| 0 PLC ± - | | PRODUCT SPEC | MINIATURE SPRING SOCKET ASSY | |
| 1 PLC ± - | | APPLICATION SPEC | SERIES 2 LONG | |
| 2 PLC ± - | | 114-26004 | WITH SEALANT | |
| 3 PLC ± 0.20[.008] | | WEIGHT - | SIZE A2 | CAGE CODE 00779 |
| 4 PLC ± - | | CUSTOMER DRAWING | DRAWING NO C=645955 | RESTRICTED TO - |
| ANGLES ± - | | | SCALE NONE | SHEET 1 OF 1 |
| FINISH SEE TABLE | | | REV K1 | |

645955