

REVISIONS				
EC NO	DATE	REV	DESCRIPTION	CHANGER
	2016.12.13	A	INITIAL RELEASE.	DICK

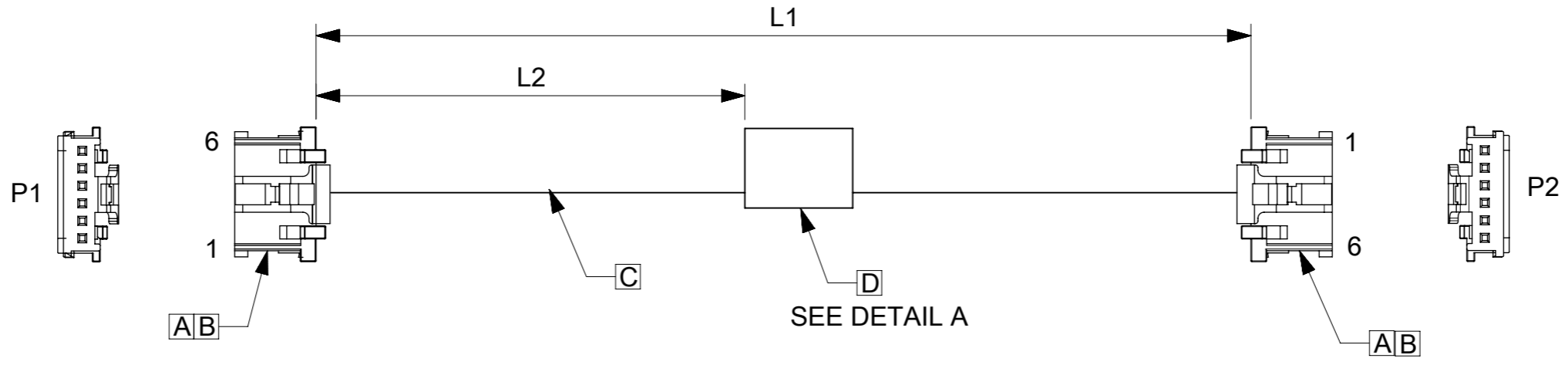


TABLE			
PART NUMBER	L1	L2	TITLE
151360600	50±5	18REF	MicroClasp 6Circuit 50MM
151360601	100±8	44REF	MicroClasp 6Circuit 100MM
151360602	150±10	69REF	MicroClasp 6Circuit 150MM
151360603	300±10	144REF	MicroClasp 6Circuit 300MM
151360605	450±15	219REF	MicroClasp 6Circuit 450MM
151360606	600±15	294REF	MicroClasp 6Circuit 600MM

P/N:15136XXXX—MOLEX PN
MOLEX

DETAIL A

- NOTES**
1. THIS PRODUCT MUST MEET 2011/65/EU ROHS COMPLIANCE.
此产品需符合 2011/65/EU ROHS环保要求。
 2. ELECTRICAL PERFORMANCE REFER TO ES-000.
电气特性参考ES-000.
 3. LABEL TEXT MUST BE 2mm MAX. IN HEIGHT WITH ARIAL FONT.
标签字高最大2mm,字体ARIAL.

D	Blank label 12.7x35.5mm (WHT:12.7mm) HF		1
C	UL&CSA 1061/#22 STR BLK	A/R	
B	2.0 WtB Crimp Rec Chn, Tin plating		12
A	2.0 WtB Hsg 6Ckt		2
ITEM	DESCRIPTION	L(MM)	QTY

WIRING CHART		
P1	P2	COLOR
1	6	BLACK
2	5	BLACK
3	4	BLACK
4	3	BLACK
5	2	BLACK
6	1	BLACK

QUALITY SYMBOLS 	THIS DRAWING CONTAINS INFORMATION THAT IS PROPRIETARY TO MOLEX ELECTRONIC TECHNOLOGIES, LLC AND SHOULD NOT BE USED WITHOUT WRITTEN PERMISSION				
	EC NO: 111611 DRWN: WLXIE CHK'D: DHUANG16 APPR: YXZOU	2016/12/13 2016/12/16 2016/12/19	GENERAL TOLERANCES (UNLESS SPECIFIED) ANGULAR TOL ± ° 4 PLACES ± 3 PLACES ± 2 PLACES ± 1 PLACE ± 0 PLACES ±	DIMENSION UNITS MM	SCALE NTS
		DRWN BY XJGUO01	DATE 2016/11/23	CHK'D BY DHUANG16	DATE 2016/12/13
		APPR BY YXZOU	DATE 2016/12/19	DRAWING SIZE A3	THIRD ANGLE PROJECTION
DRAFT WHERE APPLICABLE MUST REMAIN WITHIN DIMENSIONS				PRODUCT CUSTOMER DRAWING	
SERIES 201234		MATERIAL NUMBER SEE TABLE		CUSTOMER GENERAL MARKET	
DOCUMENT NUMBER 2012341709			DOC TYPE PSD	DOC PART 000	
				SHEET NUMBER 1 OF 1	