

CASE FINISH	CURRENT (AMPS)	WORKING VOLTAGE				MAXIMUM DC RESISTANCE (OHMS)	MAXIMUM VOLTAGE DROP		MINIMUM CAPACITANCE (uF)	MIN. INSERTION LOSS PER MIL-STD-220, FULL LOAD, +25°C												
		-55°C TO +85°C		-55°C TO +125°C			DC	AC		14 KHz	30 KHz	50 KHz	75 KHz	100 KHz	150 KHz	300 KHz	500 KHz	1 MHz	10 MHz	100 MHz	1 GHz	10 GHz
		AC	DC	AC	DC																	
SILVER	15	---	100	---	70	0.005	0.075	---	0.7	--	9	---	---	---	20	29	---	39	52	70	70	--

PART MARKING:

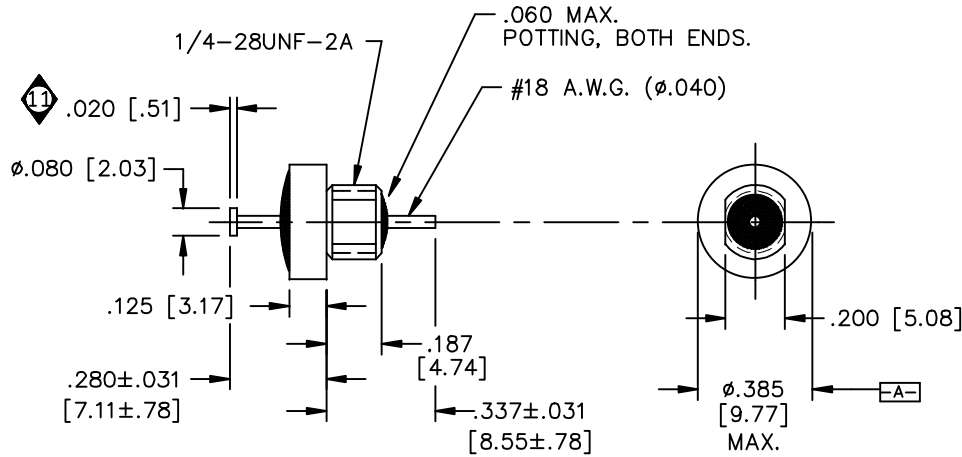
9050-100-0008  
SCI DATE CODE

PACKAGE MARKING:

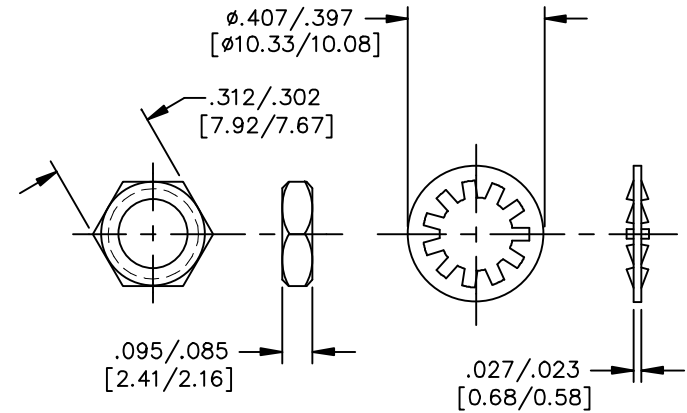
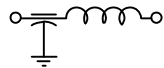
BUBBLE PACK:  
9050-100-0008  
SCI DATE CODE  
LOT NO.  
QTY.

MARKING NOTES:

N/A




SCHEMATIC



MTG. HARDWARE

NOTES:

1) MOUNTING TORQUE NOT TO EXCEED 7in-lbs.

11	10	09	REV. N/D.	UNLESS OTHERWISE SPECIFIED DIMENSIONS ARE IN INCHES. [MILLIMETERS] DO NOT SCALE.	TOLERANCES UNLESS OTHERWISE SPECIFIED Fractions ± Dec. .xx± Dec. .xxx±.010 Angles ±0° 30'	 SPECTRUM CONTROL INC. Dwn. KAUFFMAN Date 5-23-01 Engr. K. Wood Sheet 1 of 1	ERIE, FAIRVIEW PENNSYLVANIA Description Low Pass EMI Filter 9050-100-0008
CN 212273	CN 201809	CN. 177551	CHANGE NOTICE				

Quality Products From The Specialists In Electro-Magnetic Compatibility