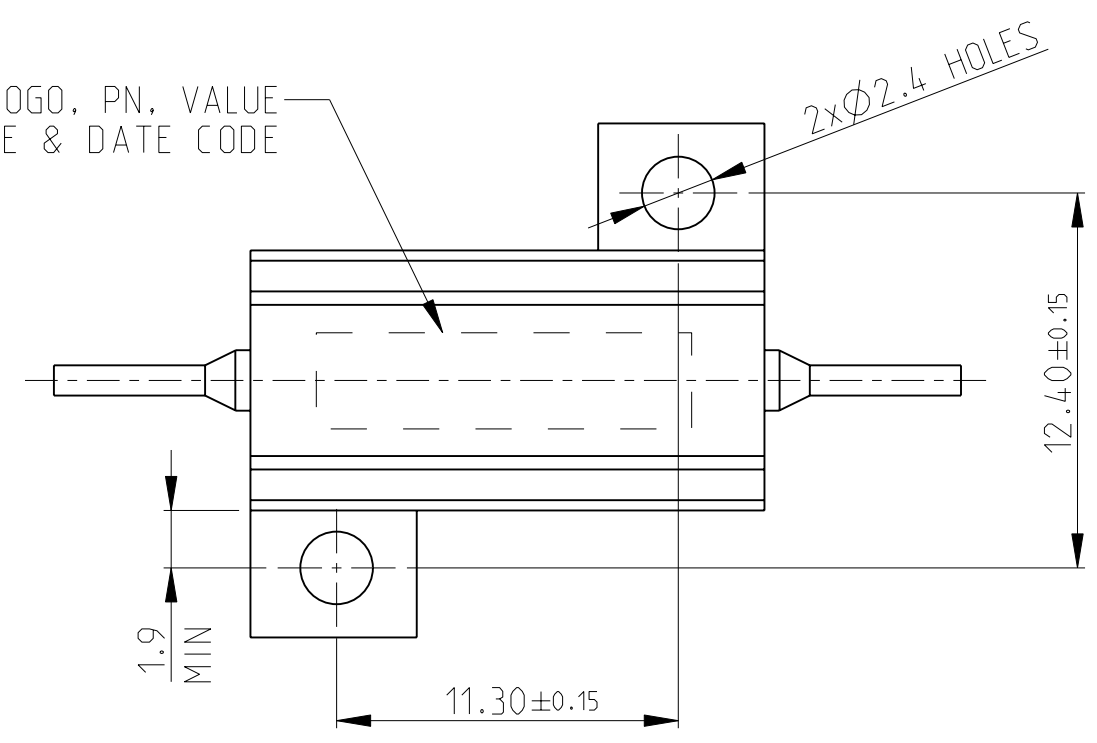


THIS DRAWING IS UNPUBLISHED. RELEASED FOR PUBLICATION NOV. 2005  
 © COPYRIGHT 2005 BY TYCO ELECTRONICS CORPORATION. ALL RIGHTS RESERVED.

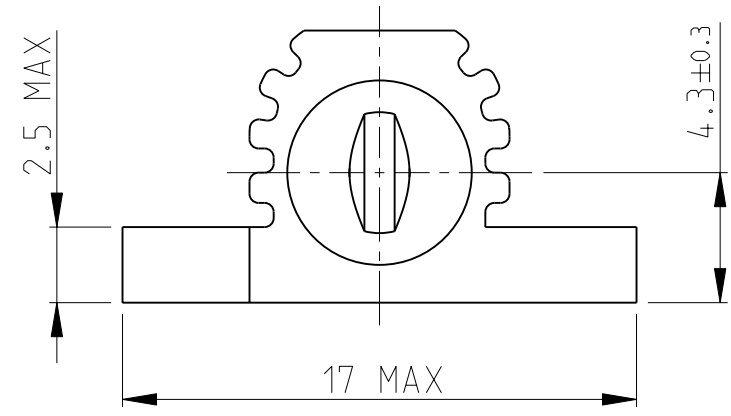
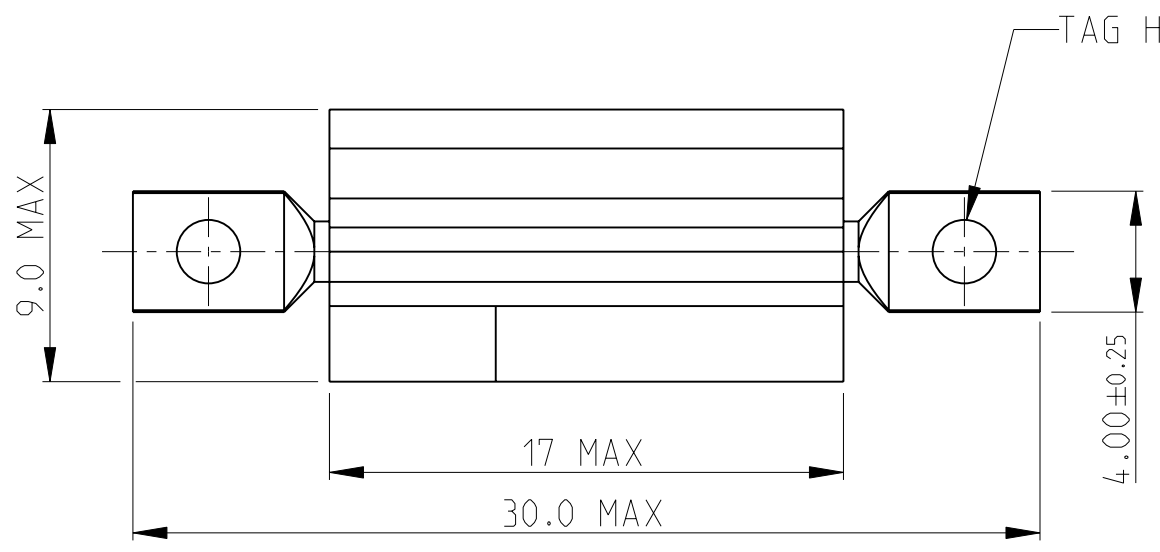
LOC	DIST	REVISIONS			
P	LTR	DESCRIPTION	DATE	DWN	APVD
E	B	B2	Released as per ECR-09-006012	16-MAR-09	SP JC

TE LOGO, PN, VALUE  
TOLERANCE & DATE CODE

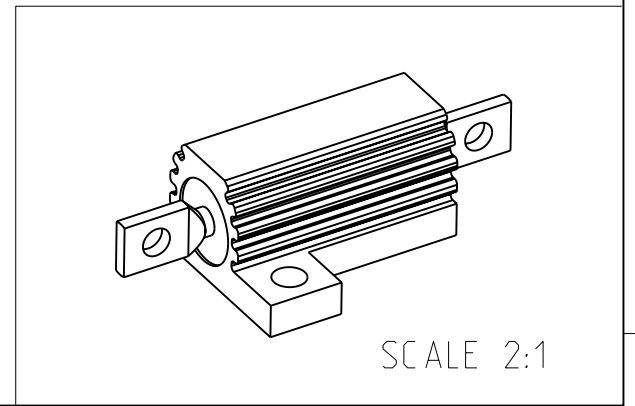


- FOR FURTHER INFORMATION SEE DATA SHEET FOR HS SERIES-ALUMINIUM HOUSED RESISTORS
- FOR A SPECIFIC PN FOR A RESISTANCE VALUE AND TOLERANCE, PLEASE REFER TO DMF
- TECHNICAL SPECIFICATION

DISSIPATION AT 25°C : 10 WATTS MOUNTED ON STD HEATSINK  
 BS OHMIC RANGE : R051 TO 7KS  
 STABILITY : ΔR < =1% PER 1000Hrs  
 ISOLATION VOLTAGE : 1400V DC/AC pk  
 MAX WORKING VOLTAGE : 150V DC/AC rms  
 TEMP COEFFICIENT : > 1R0 50ppm  
 > 100R 25ppm  
 CLIMATIC CATEGORY : 55/200/56



RoHS Compliant



<small>THIS DRAWING IS A CONTROLLED DOCUMENT FOR TYCO ELECTRONICS CORPORATION IT IS SUBJECT TO CHANGE AND THE CONTROLLING ENGINEERING ORGANIZATION SHOULD BE CONTACTED FOR THE LATEST REVISION.</small>		DWN D KENNEDY 07.NOV.05 CHK J CATCHPOLE 07.NOV.05 APVD J CATCHPOLE 07.NOV.05		Tyco Electronics Corporation Dorcan, Swindon, SN3 5HH	
DIMENSIONS: mm		TOLERANCES UNLESS OTHERWISE SPECIFIED: 0 PLC ±0.5 1 PLC ±0.2 2 PLC ±0.1 3 PLC ± 4 PLC ± ANGLES ±5°		NAME HSA 5 METAL CLAD RESISTOR	
MATERIAL -		FINISH -		PRODUCT SPEC - APPLICATION SPEC - WEIGHT -	
CUSTOMER DRAWING		SIZE A3 CAGE CODE 00779 DRAWING NO C-1625963		RESTRICTED TO -	
SCALE 4:1		SHEET 1 OF 1		REV B2	