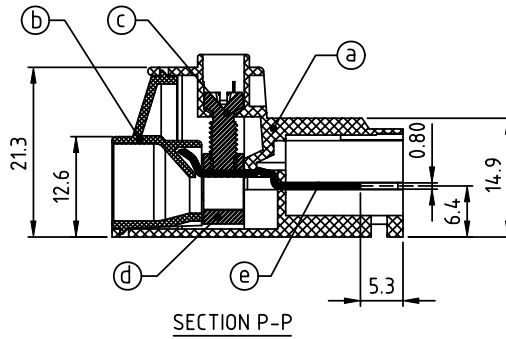
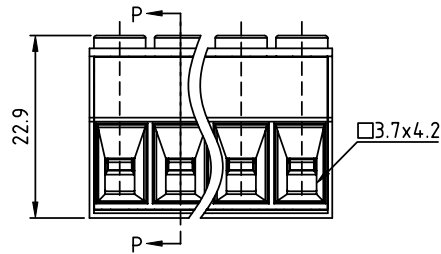
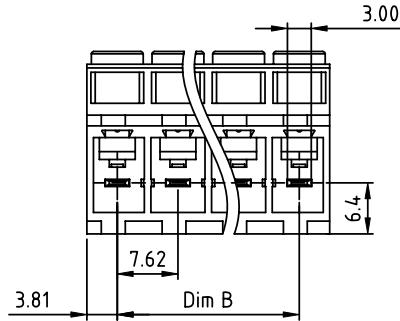
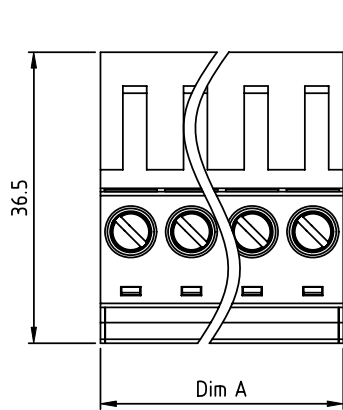


PRODUCT NUMBER	PITCH
KTxx01x000J0G	7.62 mm



Material:

- Item@Terminal(housing) :Thermoplastic (UL94V-0)
- ItemⓁTerminal(cover) : Thermoplastic (UL94V-0)
- ItemⓐTerminal screw : Steel Zinc plating " - " slot type
- ItemⓂClamp : Brass, Ni plated
- ItemⓎFemale contact : Copper.Tin plated

Electrical cULus

- Voltage rating: 600VAC (match with ET series);300VAC(match with KS series)
- Current rating: 41A
- Solid wire (AWG): 8-24
- Stranded wire(AWG): 8-24
- Torque: 9.0 Lb-In
- Screw: M3.5
- Wire strip length: 10-11mm
- Withstanding Voltage: 1.6KV
- Operating temperature: -40°C to +115°C
- Safety Approval:

PART NO.: **KT xx 01 x 0 00J0 G**

N=Number of poles

Dim A	N×7.62
Dim B	(N-1)×7.62
Dimension	
Poles	Tolerance
2P-5P	±0.20
6P-10P	±0.30
11P-16P	±0.40

- | | | | | | |
|--|--------------|----------|-------|-------------------|-----------------|
| | Solid block | 0 | Color | Black (RAL9005) | RoHS compliant |
| | No. of poles | 2 | | Red (RAL3001/D) | (lead<4%) |
| | 02 | 2 poles | 3 | Orange(RAL2011/P) | In copper Alloy |
| | 03 | 3 poles | 4 | Yellow(RAL1018/A) | |
| | ... | ... | 5 | Green(RAL6018/T) | |
| | 16 | 16 poles | 6 | Blue (RAL5015/A) | |
| | | | 8 | Grey(RAL7035/D) | |
| | | | 9 | White(RAL1102) | |
| | | | C | Green(RAL6018/U) | |

mat'l. code		surface ASME Y14.5	tolerance ASME Y14.5	projection	product family TERMINAL BLOCK
ltr	ecn no	dr	date		title TERMINAL BLOCK PLUGGABLE PLUG
				MM	scale
				dr	EVIN ZHONG 050614
				enr	EVIN ZHONG 050614
				chr	HANKE FENG 050614
				appd	SHI JUN 050614
sheet index	revision sheet	A	1		dwg no KTxx01x000J0G
					sheet 1 of 1
					size A4
					type CUSTOMER Drawing