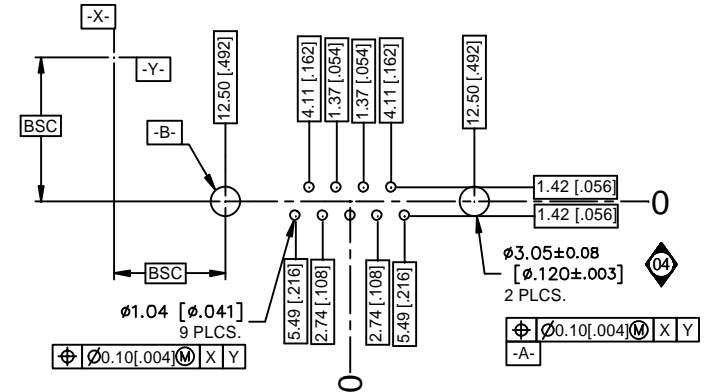



NOTES:

1. MATERIAL  
HOUSING : PBT, GLASS FILLED, UL RATED 94V-0, BLACK  
FRONT SHELL: CARBON STEEL  
CONTACTS AND BUSHINGS: BRASS
2. FINISH  
FRONT SHELL: TIN PLATED.  
CONTACTS: GOLD FLASH IN MATING AREA OVER 2.54 µm [.000100] MIN  
NICKEL ON ENTIRE CONTACT AREA.  
BUSHINGS: NICKEL PLATED
3. ELECTRICAL SPECIFICATION:  
10-17 OHMS AT 30 MHz. TYP.  
12-19 OHMS AT 50 MHz. TYP.  
15-24 OHMS AT 100 MHz. TYP.
4. SCI, 56-403-001 AND DATE CODE MARKED ON THIS SURFACE.



P.C. BOARD MOUNTING DIMENSIONS

					04	03	02	REV. NO.	UNLESS OTHERWISE SPECIFIED DIMENSIONS ARE IN MILLIMETERS. [INCHES] DO NOT SCALE.	TOLERANCES UNLESS OTHERWISE SPECIFIED Dec. .x ± 0.3 [.012] Dec. .xx ± 0.13 [.005] Dec. .xxx ± Angles ± CODE IDENT. NO. 0LSP2	 SPECTRUM CONTROL INC. Dwn. P. Wells Date 8-16-07 Engr. D. Henry Sheet 1 of 1	FAIRVIEW PENNSYLVANIA SOCKET ASSEMBLY 9 POSITION, VERTICAL MNT. 56-403-001
					CN 36555-ENG	CN 34916-CPD	CN 196177	CHANGE NOTICE				

