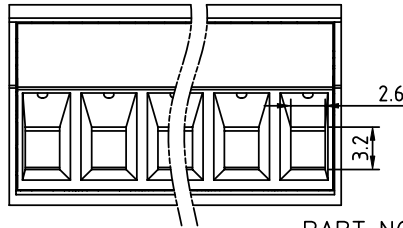
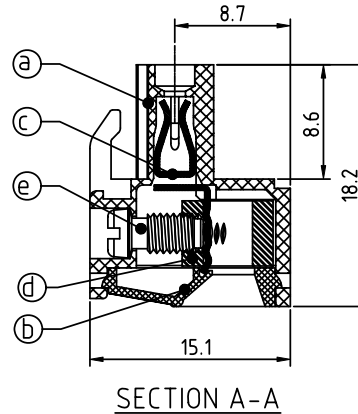
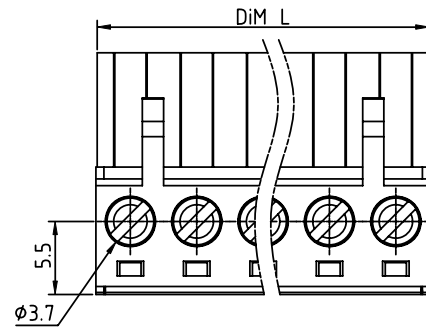
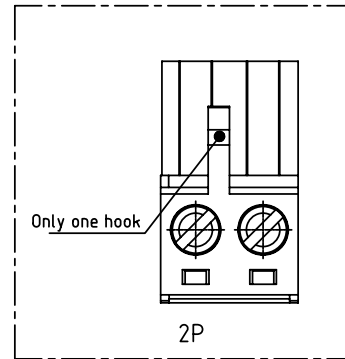
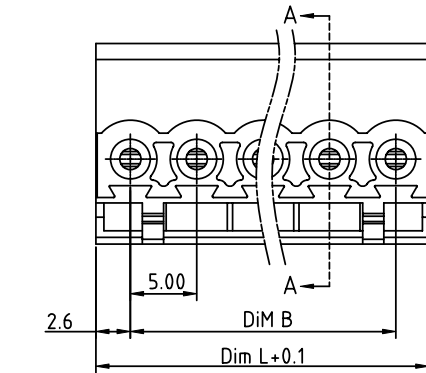


PRODUCT NUMBER	PITCH
TJxx71x600J0G	5.00 mm



Material

- Item (a) Terminal body: Thermoplastic (UL94V-0)
- Item (b) Terminal cover: Thermoplastic (UL94V-0)
- Item (c) Female contact: High conductivity copper, Tin plated
- Item (d) Clamp: Brass: Ni plated
- Item (e) Terminal screw: Steel Zinc plating "-" slot type

Electrical

- Voltage rating: 300V
- Current rating: 20A
- Solid wire (AWG): 12-24
- Stranded wire (AWG): 12-24
- Torque (Lb-In): 5
- Screw: M3
- Wire strip length: 7-8mm
- Withstanding Voltage: 1.6KV
- Operating temperature: -40°C to +115°C
- Safety Approval: us

PART NO.: TJ xx 71x 6 00J0 G

N=NUMBER OF POLES

Dim L=N×5.00
Dim B=(N-1)×5.00

POLES	Tolerance
2P-5P	±0.15
6P-10P	±0.20
11P-15P	±0.25
16P-20P	±0.30
21P-24P	±0.40

No. of poles	Body Color	RoHS compliant (lead<4%) In copper Alloy
02 2 poles	0 Black (RAL9005)	
03 3 poles	2 Red (RAL3001/D)	
...	3 Orange (RAL2011/P)	
...	4 Yellow (RAL1018/A)	
24 24 poles	5 Green (RAL6018/T)	
	6 Blue (RAL5015/A)	
	8 Grey (RAL7035/D)	
	9 White (RAL1102)	
	C Green (RAL6018/U)	

mat'l. code		surface ASME Y14.5 ✓	tolerance ASME Y14.5	projection	product family TERMINAL BLOCK
ltr	ecn no	dr	date	tolerances unless otherwise specified	title
				angles	TERMINAL BLOCK
				MM	PLUGGABLE PLUG, CONTACT ON UP SIDE
				X°±1°	scale
		dr	HANKE FENG	031514	FCI
		enr	HANKE FENG	031514	dwg no
		chr	SHI JUN	031514	sheet 1 of 1
		appd	SHI JUN	031514	size
					TJxx71x600J0G
					A4
sheet index	revision sheet	A	1		type
					CUSTOMER Drawing