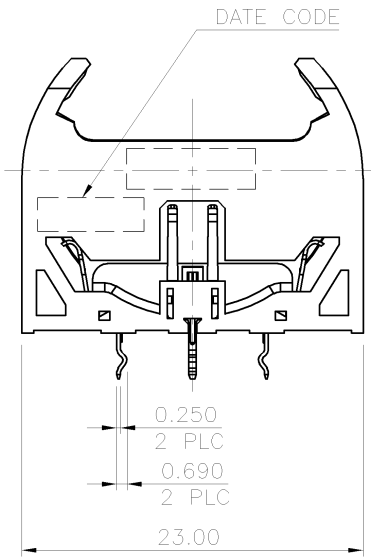
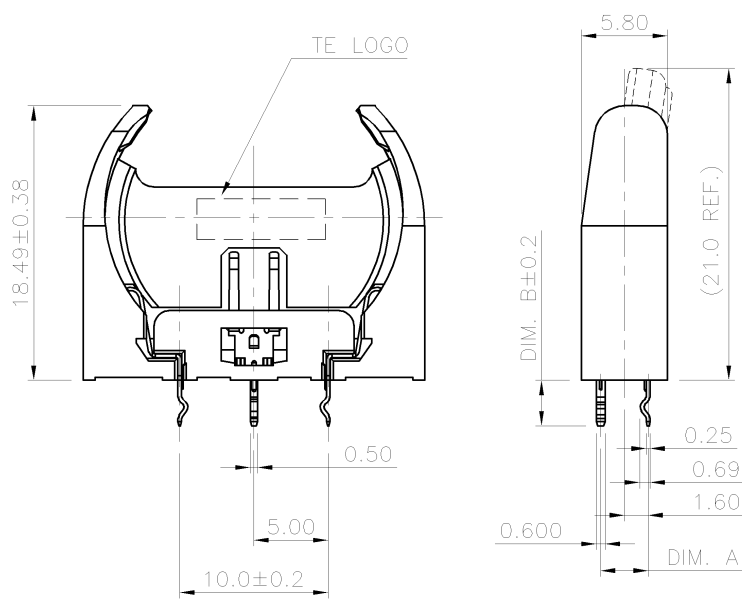


LOC DW

DIST

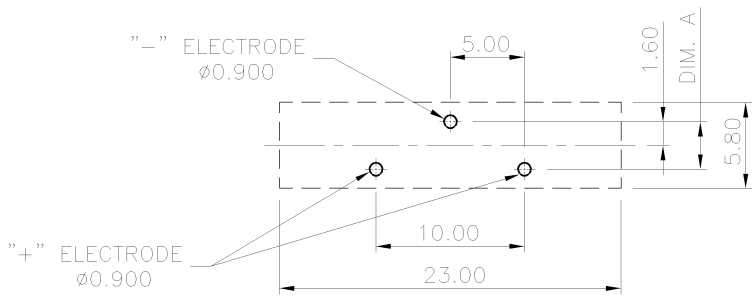
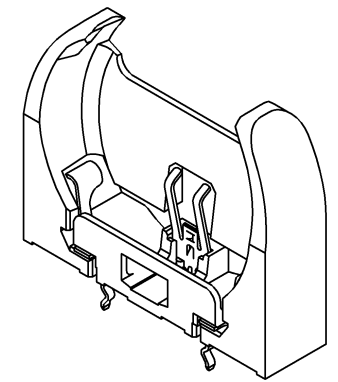
REVISIONS

P	LTR	DESCRIPTION	DATE	DWN	APVD
A6		REVISED (ECR-12-021399)	21DEC12	JL	WK

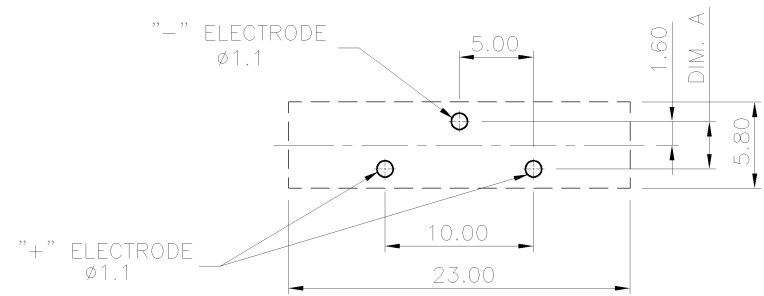


NOTES :

- MATERIAL :
 - HOUSING: NY66 WITH 25% GF, UL94 V-0, COLOR: SEE TABLE
 - CONTACT: STAINLESS STEEL
- FINISH :
 - CONTACT
 - GOLD FLASH PLATING ON CONTACT AREA, 2.54um [100u"] MIN. MATTE-TIN PLATING ON SOLDERING AREA.
 - 0.76um [30u"] MIN. NICKEL UNDERPLATING OVERALL.
- WAVE SOLDER CAPABLE TO 265°C PER TE SPEC. 109-202, CONDITION B.
- RECOMMENDED PCB THICKNESS: 1.6mm
- SUITABLE FOR BATTERY NO.: CR2032.
- LOW PCB RETENTION FORCE.



RECOMMENDED PCB HOLE LAYOUT
PCB TOLERANCE ±0.05



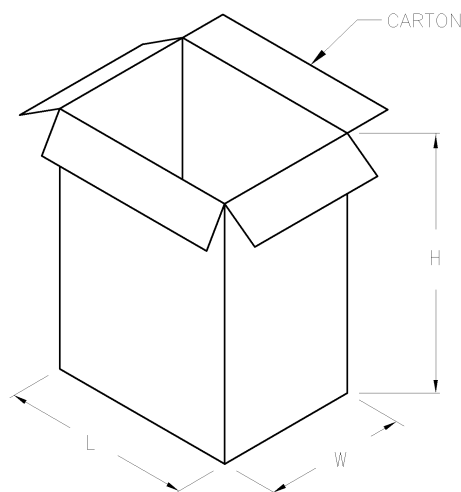
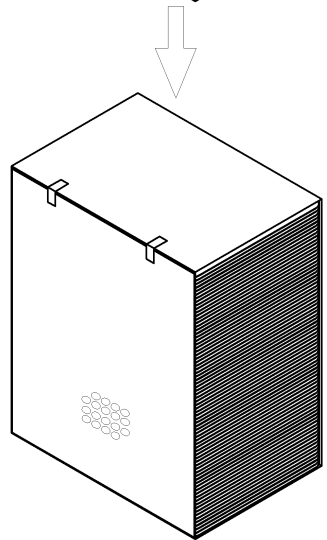
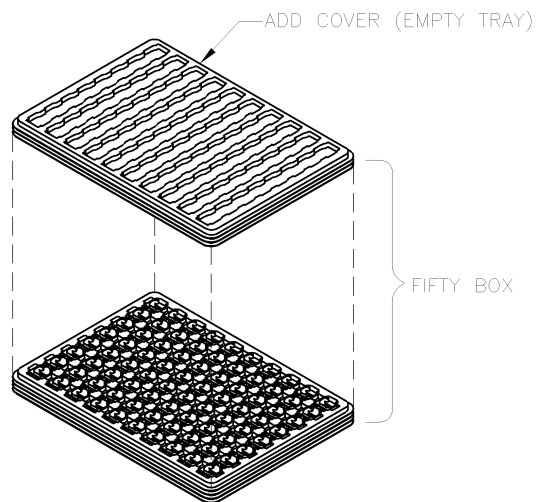
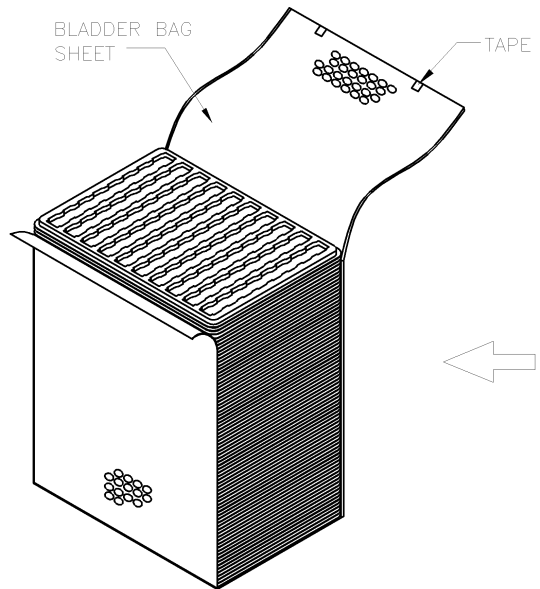
RECOMMENDED PCB HOLE LAYOUT
PCB TOLERANCE ±0.05

3.6 mm	3.6 mm	BLACK	2-1775485-1
3.0 mm	3.2 mm	2718C BLUE	1-1775485-2
		BLACK	1-1775485-1
3.0 mm	3.6 mm	2718C BLUE	1775485-2
		BLACK	1775485-1
DIM B	DIM A	HOUSING COLOR	PART NO.

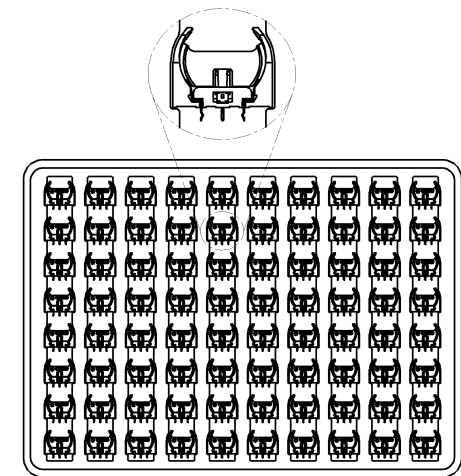
THIS DRAWING IS A CONTROLLED DOCUMENT.		DWN S. CHIEN 03JUN2008	TE Connectivity
DIMENSIONS: MM		CHK S. CHIEN 03JUN2008	
TOLERANCES UNLESS OTHERWISE SPECIFIED:		APVD W. KODAMA 03JUN2008	
0 PLC ± - 1 PLC ± 0.38 2 PLC ± 0.25 3 PLC ± 0.15 4 PLC ANGLES ± - ± 2'		NAME PRODUCT SPEC	
MATERIAL SEE NOTE		FINISH SEE NOTE	108-57542 QUALIFICATION TEST REPORT 501-57624 WEIGHT 1.19 GRAMS
		CUSTOMER DRAWING	SIZE A3 CAGE CODE 00779 DRAWING NO. C-1775485 RESTRICTED TO SCALE SHEET 1 of 2 REV A6

THIS DRAWING IS UNPUBLISHED. RELEASED FOR PUBLICATION AUG ,2006.
 © COPYRIGHT - BY TYCO ELECTRONICS CORPORATION. ALL RIGHTS RESERVED.

LOC	DIST	REVISIONS					
DW		P	LTR	DESCRIPTION	DATE	DWN	APVD
				SEE SHEET 1.			



- NOTES :
- MATERIAL:
 - 1.1 TRAY: PVC
 - 1.2 SHIPPING CARTON: CORRUGATED FIBERBOARD
 - DIMENSION:
 - 2.1 TRAY: L=345, W=250, H=7.4
 - 2.2 SHIPPING CARTON: L=365, W=270, H=325
 - QUANTITY:
 - 3.1 PRIMARY PACKING: 80 PCS/TRAY
 - 3.2 SECONDARY PACKING: 50 TRAY/CARTON(4,000PCS)
 - CARTON WEIGHT:
 - 4.1 NET WEIGHT: 4.76 KG
 - 4.2 GROSS WEIGHT: 8.26 KG



THIS DRAWING IS A CONTROLLED DOCUMENT.		DWN	STE TE Connectivity			
DIMENSIONS: MM		CHK				
TOLERANCES UNLESS OTHERWISE SPECIFIED:		APVD	NAME			
0 PLC ± .		PRODUCT SPEC	BATTERY HOLDER, H=18.5mm, V/T			
1 PLC ± .		APPLICATION SPEC	SIZE	CAGE CODE	DRAWING NO	RESTRICTED TO
2 PLC ± .		WEIGHT	A3	00779	C=1775485	
3 PLC ± .		CUSTOMER DRAWING		SCALE	SHEET	REV
4 PLC ± .					2 of 2	A6
ANGLES ± .						
FINISH						