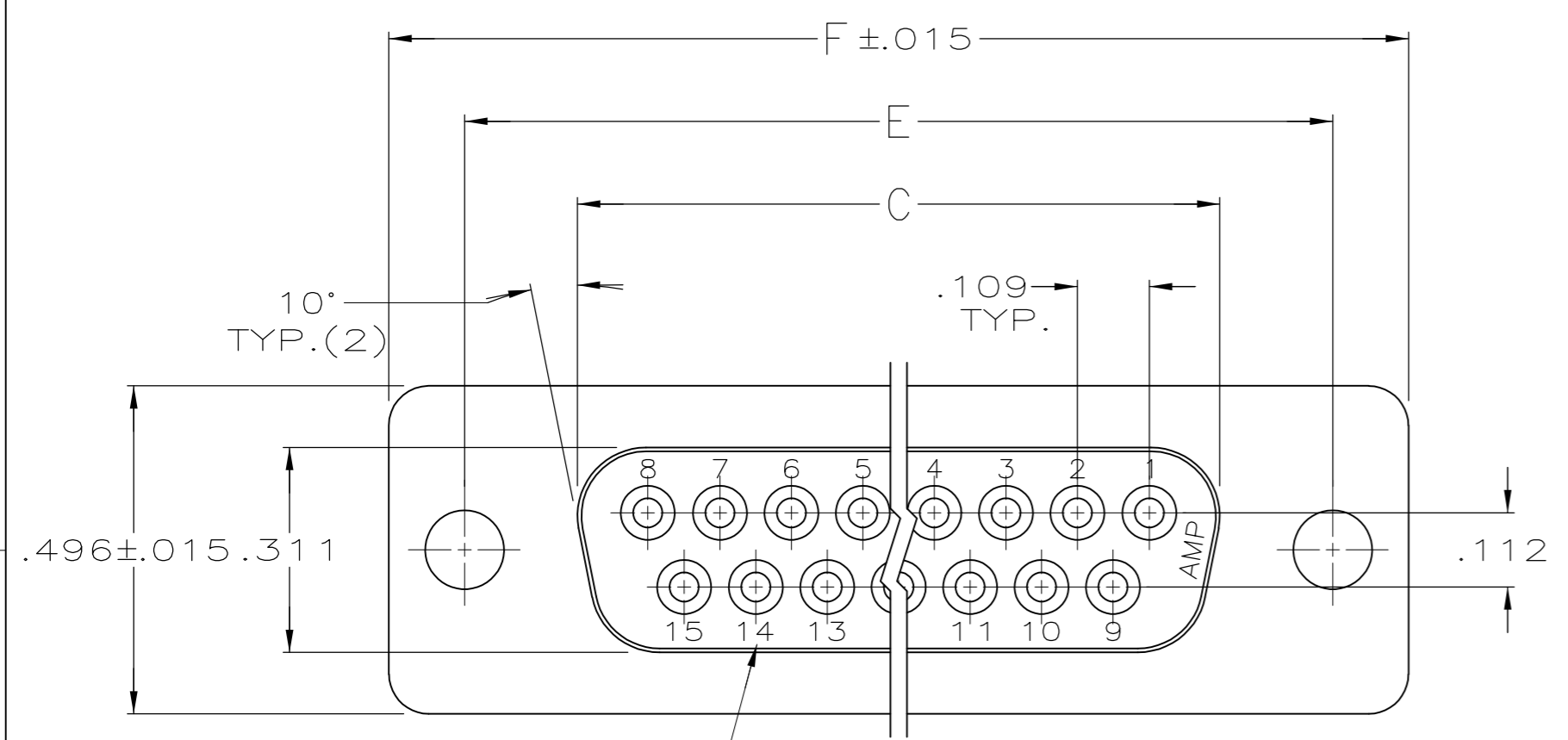


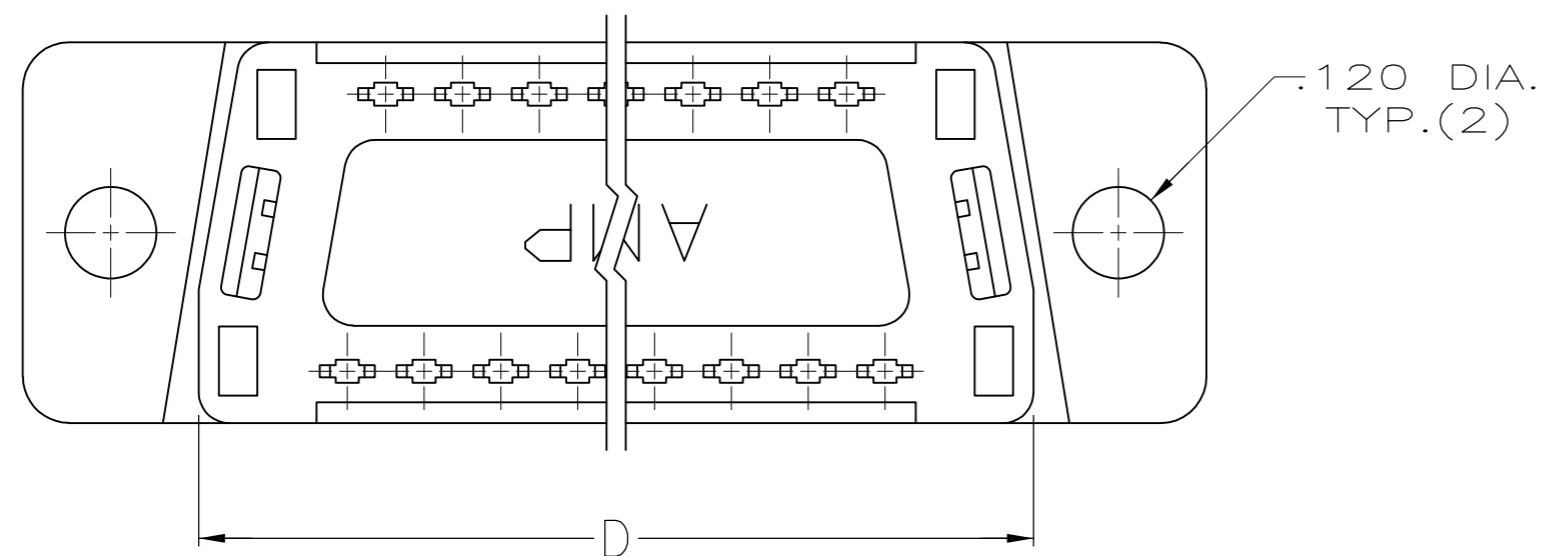
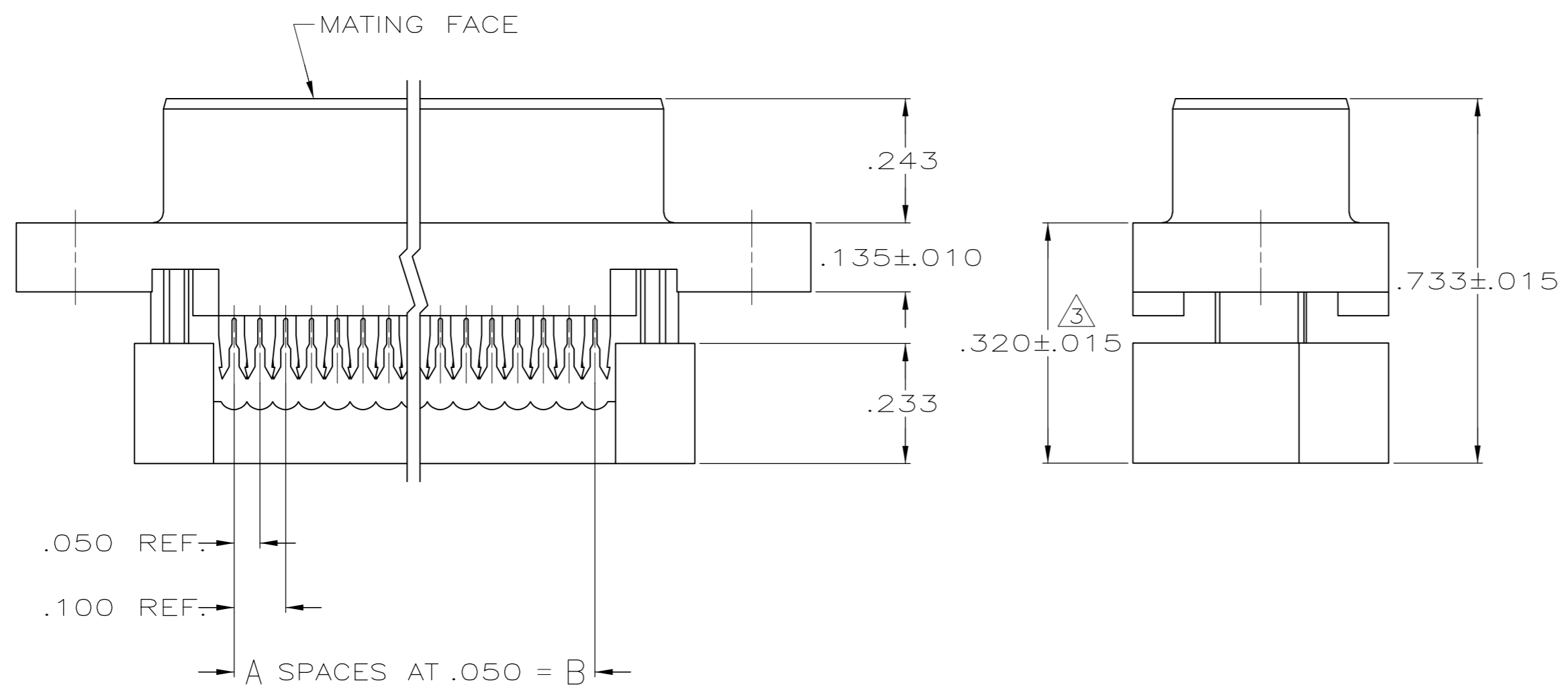
THIS DRAWING IS UNPUBLISHED. RELEASED FOR PUBLICATION
 © COPYRIGHT - By - ALL RIGHTS RESERVED.

LOC		DIST		REVISIONS					
GP		00		P	LTR	DESCRIPTION	DATE	DWN	APVD
				P		REVISED PER ECO-11-004835	11MAR11	RK	HMR



DEPRESSED CAVITY IDENTIFICATION (15 POSITION SHOWN)

1. CONNECTORS COMPLY WITH AMP SPEC. 108-40,012 AND MATE WITH ANY SAME NUMBER POSITION PLUG CONNECTOR IN AMPLIMITE SERIES.
2. CONNECTOR DESIGNED FOR 28 AND 26 AWG STRANDED AND SOLID CONDUCTOR RIBBON CABLE ON .050 ϕ .
3. DIMENSION APPLIES TO TERMINATED CONNECTOR.
4. MOLDED PARTS: FLAME RETARDANT 94V-0 RATED THERMOPLASTIC; COLOR: BLACK.
5. CONTACTS: PHOS. BRONZE PER QQ-B-750.
6. GOLD PLATING PER MIL-G-45204, TIN PLATING PER MIL-T-10727, NICKEL PLATING PER QQ-N-290
7. CONTACTS: PLATED WITH .000030 GOLD IN LOCALIZED GOLD PLATE AREA, .000100- .000200 MATTE TIN ON TERMINATION END, ALL OVER .000050 NICKEL ON ENTIRE CONTACT.



1.216	.984	.759	.643	.400	8	9	1658614-4
1.541	1.312	1.087	.971	.700	14	15	1658614-3
2.090	1.852	1.623	1.511	1.200	24	25	1658614-2
2.732	2.500	2.275	2.159	1.800	36	37	1658614-1
F	E	D	C	B	A	NO.OF POS.	PART NUMBER

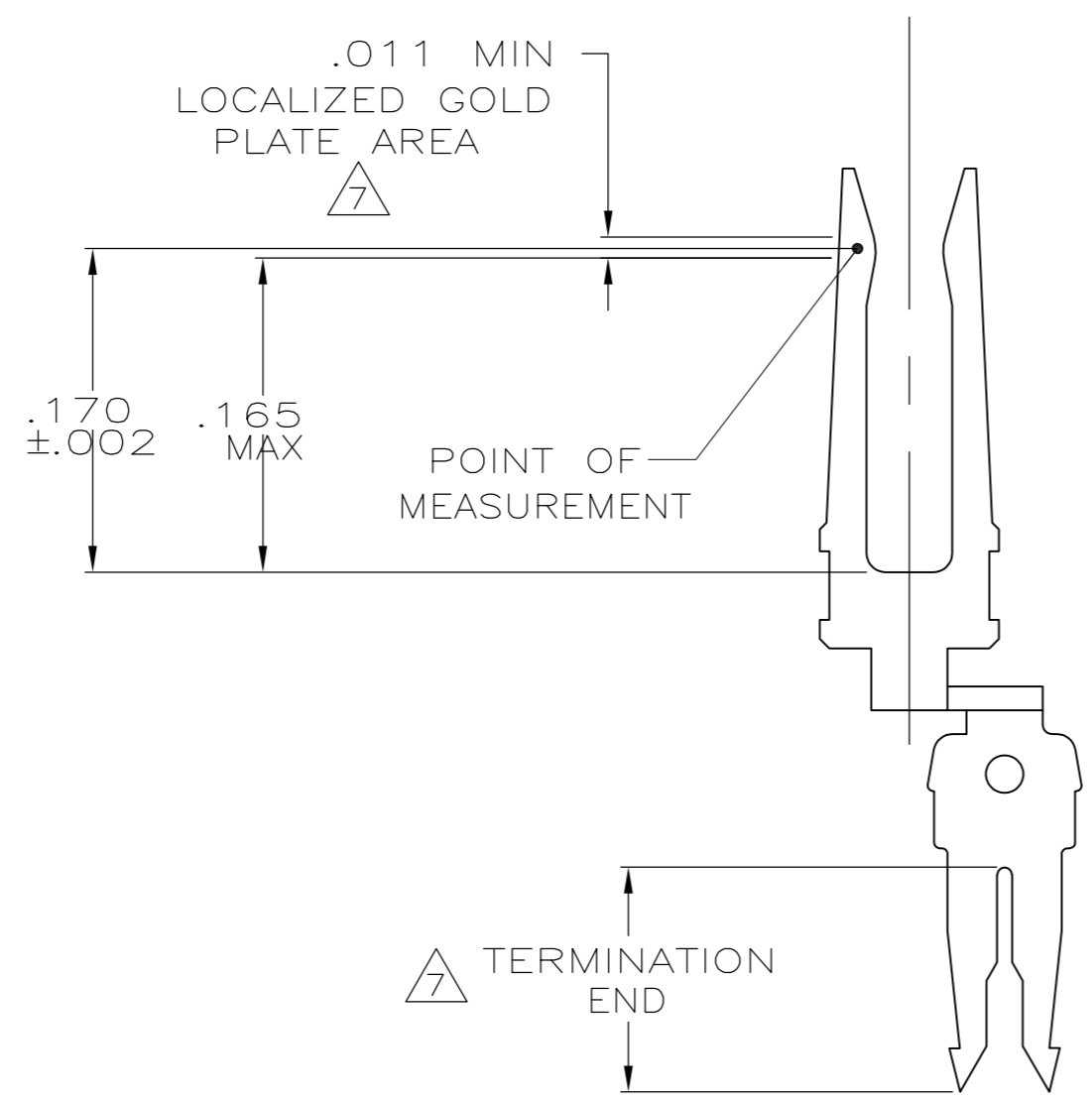
THIS DRAWING IS A CONTROLLED DOCUMENT.

DIMENSIONS: INCHES	TOLERANCES UNLESS OTHERWISE SPECIFIED:	DWN L. BAUM 6/13/03	
	0 PLC ± -	CHK C. ROHDE 6/13/03	
	1 PLC ± -	APVD M. WALMSLEY 6/13/03	
	2 PLC ± -	PRODUCT SPEC	
MATERIAL	FINISH	APPLIC. SPEC	NAME RECEPTACLE ASSEMBLY, LEAD-FREE, AMPLIMITE HDF
			SIZE A2
			CAGE CODE 00779
			DRAWING NO. 1658614
CUSTOMER DRAWING			RESTRICTED TO -
SCALE 4:1			SHEET 1 of 2
REV P			

1658614

THIS DRAWING IS UNPUBLISHED. RELEASED FOR PUBLICATION
 © COPYRIGHT - By - ALL RIGHTS RESERVED.

LOC	DIST	REVISIONS					
GP	00	P	LTR	DESCRIPTION	DATE	DWN	APVD
		-	-	SEE SHEET 1	-	-	-



CONTACT DETAIL
 SCALE 10:1

THIS DRAWING IS A CONTROLLED DOCUMENT.		DWN	L. BAUM	6/13/03	TE TE Connectivity																					
DIMENSIONS: INCHES		CHK	C. ROHDE	6/13/03																						
		APVD	M. WALMSLEY	6/13/03																						
		TOLERANCES UNLESS OTHERWISE SPECIFIED:		NAME		RECEPTACLE ASSEMBLY, LEAD-FREE, AMPLIMITE HDF																				
<table border="0"> <tr><td>0 PLC</td><td>±</td><td>-</td></tr> <tr><td>1 PLC</td><td>±</td><td>-</td></tr> <tr><td>2 PLC</td><td>±</td><td>-</td></tr> <tr><td>3 PLC</td><td>±</td><td>.005</td></tr> <tr><td>4 PLC</td><td>±</td><td>-</td></tr> <tr><td>ANGLES</td><td>±</td><td>2°</td></tr> </table>		0 PLC	±	-	1 PLC	±	-	2 PLC	±	-	3 PLC	±	.005	4 PLC	±	-	ANGLES	±	2°	PRODUCT SPEC	-		SIZE	CAGE CODE	DRAWING NO	RESTRICTED TO
0 PLC	±	-																								
1 PLC	±	-																								
2 PLC	±	-																								
3 PLC	±	.005																								
4 PLC	±	-																								
ANGLES	±	2°																								
MATERIAL	SEE SHEET 1	FINISH	SEE SHEET 1	WEIGHT	-	A2	00779	C=1658614	-																	
CUSTOMER DRAWING				SCALE	4:1	SHEET	2 of 2	REV	P																	

1658614