

NOTES:

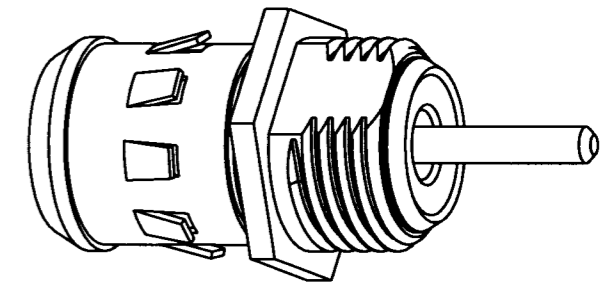
1. MATERIALS & FINISHES:

- CONTACT - BERYLLIUM COPPER, SILVER PLATED .000200 MIN. OVER COPPER .000100 MIN.
- FRONT INSULATOR - BLUE PTFE
- REAR INSULATOR - WHITE PTFE
- BODY - BRASS, BRIGHT ACID TIN PLATED .000180 MIN.
- CLIP - BERYLLIUM COPPER, BRIGHT ACID TIN PLATE

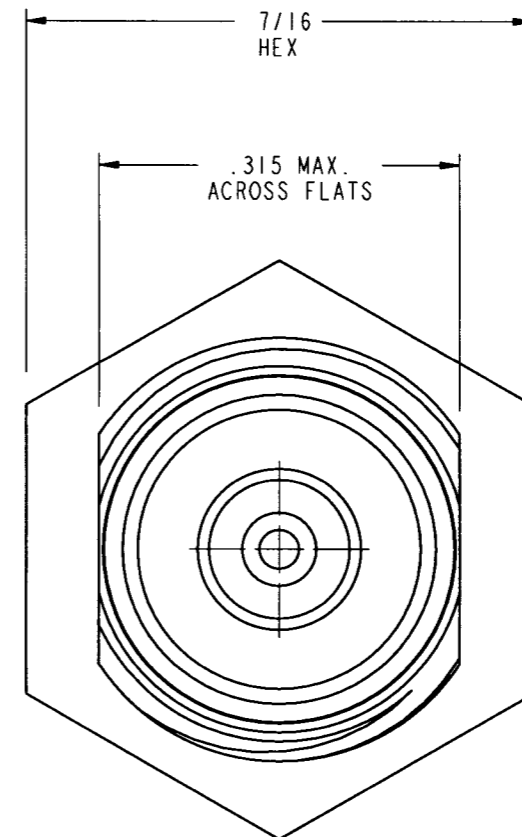
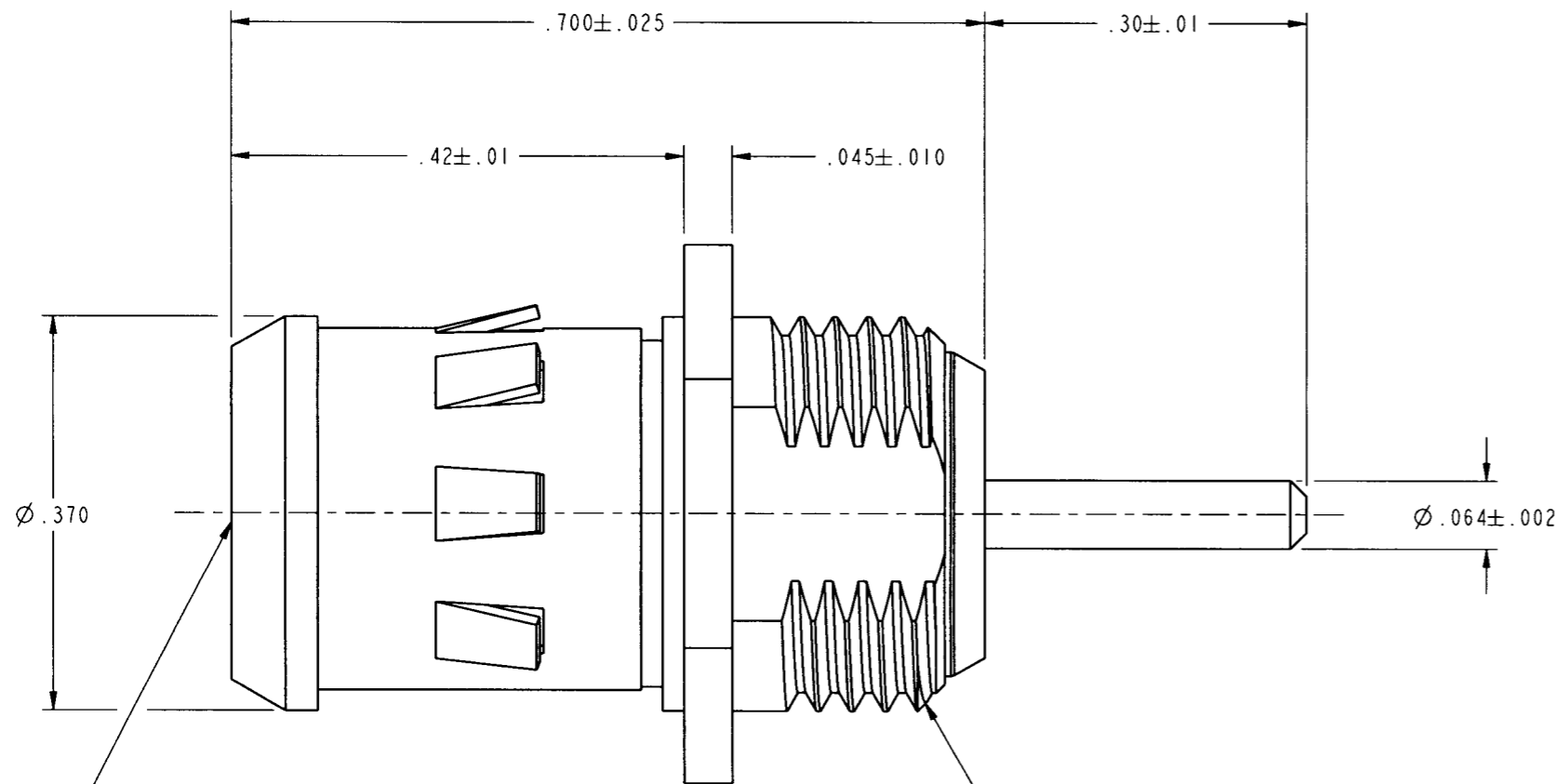
2. ELECTRICAL:

- A. 15 AMPS CONTINUOUS CURRENT @ 60Hz, 75 ±15 VRMS SQUARE WAVE WITH AN AMBIENT TEMPERATURE OF 100° C.
- B. 30 AMPS FOR 15 MINUTES @ 60Hz, 75 ±15 VRMS SQUARE WAVE WITH NO CATOSTROPHIC FAILURE.

531-40024		REVISIONS			
DRAWING NO.	REV	DESCRIPTION	DATE	ECO	APPR
THIRD ANGLE PROJ.	A	RELEASE TO MFG.	12/1/95	41974	JJD
	F	SEE SHEET I	3/4/98	42383	JW
	G	SEE SHEET I	3/29/00	43297	CPM/BG
	H	SEE SHEET I	3/30/00	43297	BCG
	J	SEE SHEET I	9/14/00	43414	BCG



SCALE 3.0 TO 1



CONTACT MALE ACCEPTS CENTER CONDUCTOR PIN RANGE Ø.038 TO Ø.065

3/8-32 UNEF 2A THREAD .050 MAXIMUM TO HEX SHOULDER

CUSTOMER OUTLINE DRAWING FOR REFERENCE ONLY

UNLESS OTHERWISE SPECIFIED, DIMENSIONS ARE IN INCHES AND TOLERANCES ARE: 2 PLACE DECIMAL ±.015 (0.381 mm) 3 PLACE DECIMAL ±.005 (0.127 mm) ANGLES ± 1°	MATERIAL	DRAWN J. DEL NEGRO	DATE 09-May-97	TITLE 'G' RECEPTACLE (15 AMP RATED)	Amphenol Amphenol Corporation Communication and Network Products Division Danbury, CT U.S.A. 06810		
	REFERENCE	ENGINEER J. DEL NEGRO	DATE 09-May-97				
NOTICE - These drawings, specifications, or other data (1) are, and remain the property of Amphenol Corp. (2) must be returned upon request; and (3) are confidential and not to be disclosed to any person other than those to whom they are given by Amphenol Corp. The furnishing of these drawings, specifications, or other data by Amphenol Corp., or to any other person to anyone for any purpose is not to be regarded by implication or otherwise in any manner licensing, granting rights or permitting such holder or any other person to manufacture, use or sell any product, process or design, patented or otherwise, that may in any way be related to or disclosed by said drawings, specifications, or other data.	EAR# 967503-1 GEN# ASSYF5_G	APPROVED J. DEL NEGRO	DATE 11-Jun-97	CODE ID 74868	DWG SIZE B	DRAWING NO. 531-40024	REV J
					SCALE: 6.0:1 SHEET 2 OF 2		