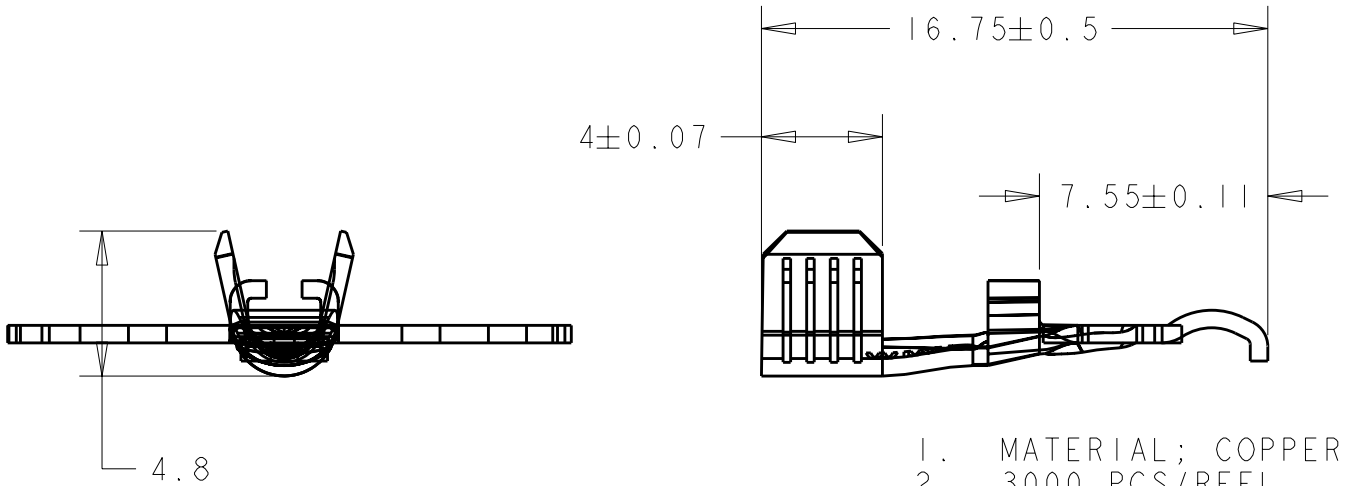


LOC		DIST		REVISIONS			
P	LTR	DESCRIPTION		DATE	DWN	APVD	
CM	0						
		2		ADDED -2, REVISED NOTE 1	06FEEB03	BH	RW
		3		REVISED, ADDED DIMS AND TESTING NOTE	10-2-03	GD	RW
		A		ECO-08-008100	01APR2008	KW	SR

THIS PRODUCT HAS PASSED VERIFICATION AND AGENCY APPROVALS TESTING AND IS COMPONENT RECOGNIZED PER UL 1977 AND CSA 22.2. TYCO ELECTRONICS PRODUCT QUALIFICATION TESTING IS NOT YET COMPLETE.



1. MATERIAL; COPPER
2. 3000 PCS/REEL

METRIC

TIN	1604112-2
SILVER	1604112-1
FINISH	PART NUMBER

DIMENSIONS: mm	DWN B. HAYMAKER	11APR2002	MATERIAL	-	FINISH	-
	CHK K. KETELSLEGER	11APR2002	Tyco Electronics Harrisburg, PA 17105-3608			
TOLERANCES UNLESS OTHERWISE SPECIFIED:	APVD K. KETELSLEGER	11APR2002				
0 PLC ±0.13	PRODUCT SPEC	-	NAME CONTACT, 30 AMP POWER PRODUCT (12-16 AWG)			
1 PLC ±0.13	APPLICATION SPEC	-				
2 PLC ±0.13	WEIGHT	-	SIZE	CAGE CODE	DRAWING NO	RESTRICTED TO
3 PLC ±0.13			A 4	00779	C-1604112	-
4 PLC ±-			CUSTOMER DRAWING			
ANGLES ±30'			SCALE	4:1	SHEET	1 OF 1
					REV	A