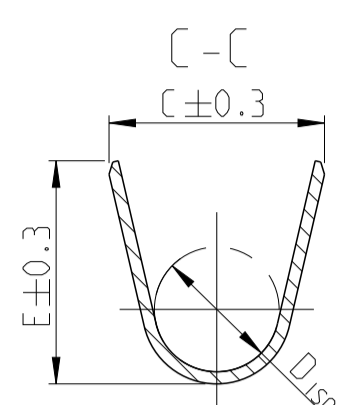
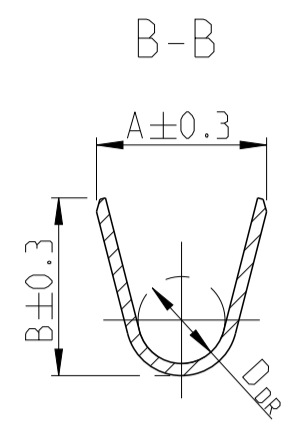
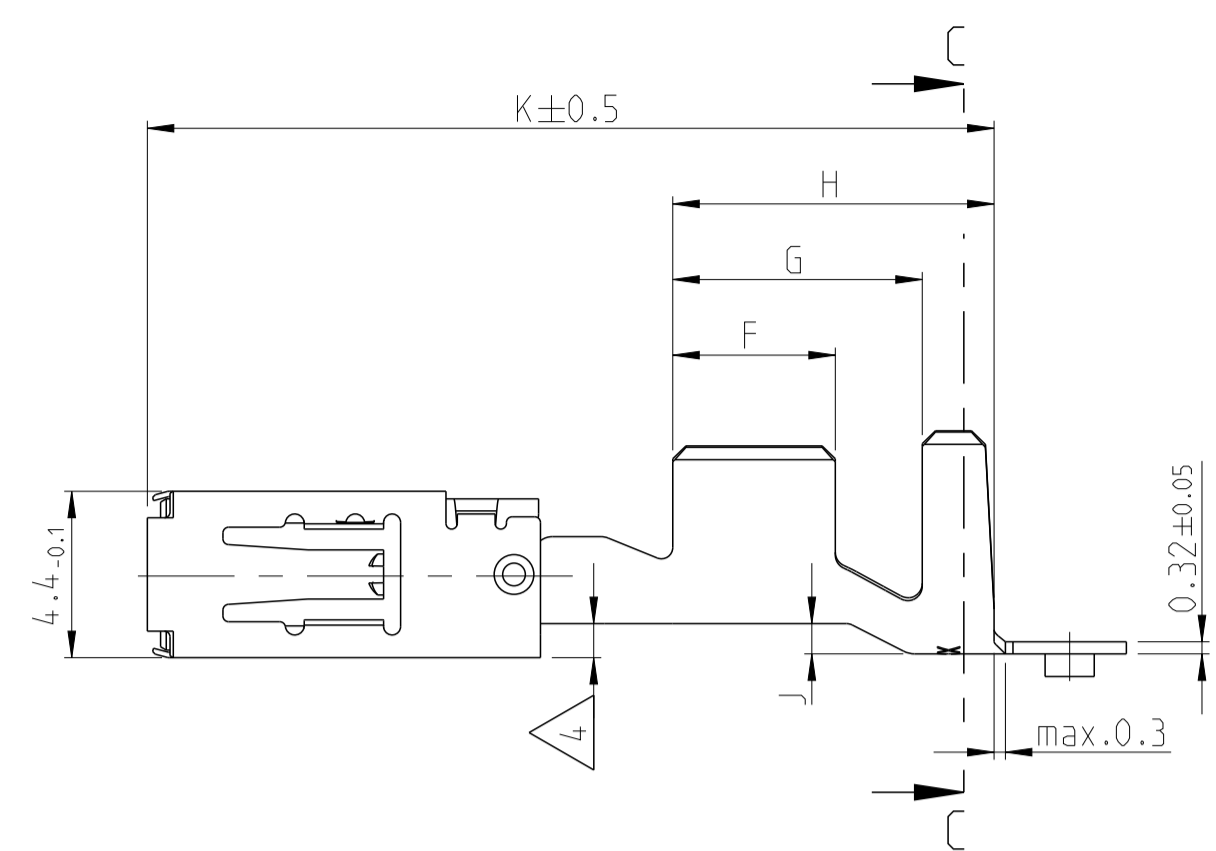
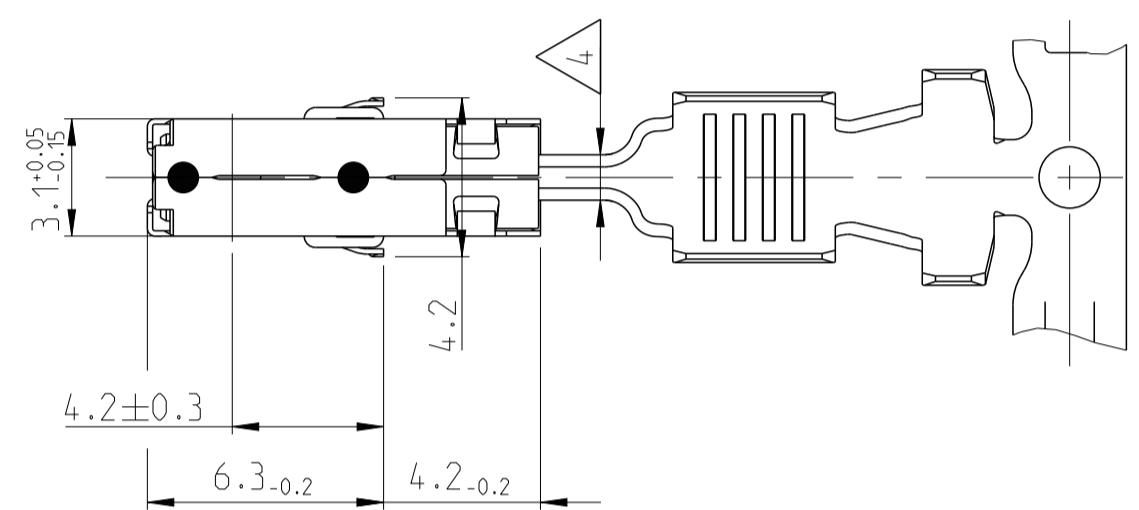


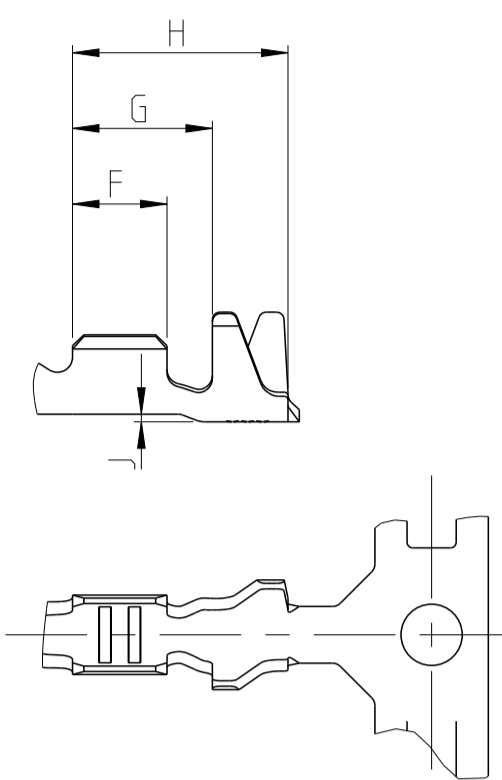
### STANDARD CRIMP



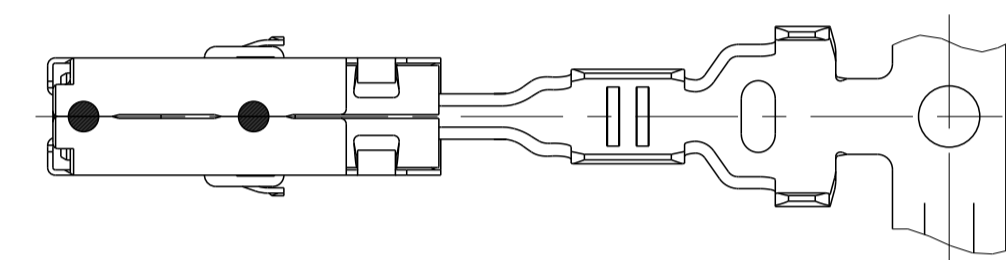
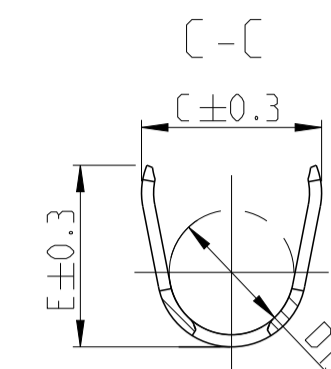
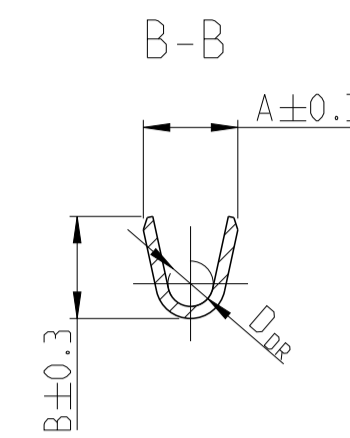
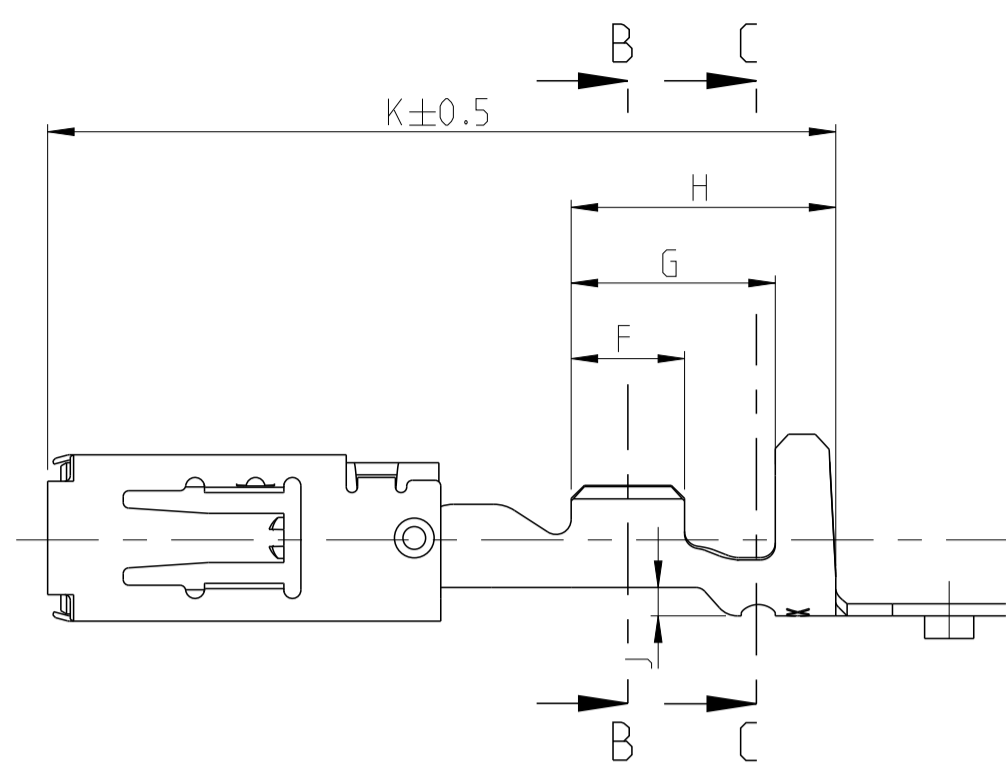
LASER WELDED  
Lasergeschweisst



ONLY FOR WIRE SIZE RANGE  
Nur fuer DGB  
0.2 ... 0.5 mm<sup>2</sup>



### SINGLE WIRE SEAL Einzeldichtungssystem



VERSION	Ausfuhrung	ORDER-NO. STRIP-FORM	Bestell-Nr. Bandware	REV	MATERIAL	BODY	SPRING	SURFACE	Oberflaeche	WIRE SIZE RANGE	INSULATION DIAMETER	Leiter- quer- schnitt	mm <sup>2</sup>	CRIMP DIMENSIONS / Crimpabmessungen mm											WEIGHT	SINGLE WIRE SEAL	TE CONNECTIVITY NO.	APPLICATION TOOLS
														A	B	D <sub>DR</sub>	C	E	D <sub>ISO</sub>	F	G	H	J	K				
SINGLE WIRE SEAL / Einzeldichtung	1-1719506-3	A	SILVER PLATED versilbert	12	3.0	4.0	4.2	2.0	5.0	5.0	3.5	3.5	5.9	7.5	0.8	21.0	0.59	828905-1	828922-1	SEE APPLICATION SPECIFICATION 114-18148 siehe Verarbeitungswerkzeuge	-	-	-					
	1-1719506-1	A	PRE TIN PLATED verzinkt	12	3.8	4.0	4.2	2.0	5.0	5.0	3.5	3.5	5.9	7.5	0.8	21.0	0.59	828905-1	828922-1									
	1-968859-3	E	SILVER PLATED versilbert	4	3.4	4.5	4.7	2.3	6.0	6.0	4.3	4.3	6.9	8.5	1.25	22.6	0.65	828985-1	828986-1									
	1-968859-2	-	GOLD PLATED vergoldet	4	3.7	4.5	4.7	2.3	6.0	6.0	4.3	4.3	6.9	8.5	1.25	22.6	0.65	828985-1	828986-1									
	1-968859-1	E	PRE TIN PLATED verzinkt	4	3.7	4.5	4.7	2.3	6.0	6.0	4.3	4.3	6.9	8.5	1.25	22.6	0.65	828985-1	828986-1									
	1-968857-3	E	SILVER PLATED versilbert	1.5	2.2	3.6	3.8	1.7	5.0	5.0	3.5	3.5	5.9	7.5	0.8	21.0	0.58	828905-1	828922-1									
	1-968857-2	D	GOLD PLATED vergoldet	2.5	3.0	3.6	3.8	1.7	5.0	5.0	3.5	3.5	5.9	7.5	0.8	21.0	0.58	828905-1	828922-1									
	1-968857-1	E	PRE TIN PLATED verzinkt	2.5	3.0	3.6	3.8	1.7	5.0	5.0	3.5	3.5	5.9	7.5	0.8	21.0	0.58	828905-1	828922-1									
	1-968855-3	E	SILVER PLATED versilbert	0.5	1.4	2.5	2.7	1.2	4.8	4.8	3.3	3.0	5.4	7.0	0.75	21.0	0.54	828904-1	828922-1									
	1-968855-2	E	GOLD PLATED vergoldet	1.0	2.1	2.5	2.7	1.2	4.8	4.8	3.3	3.0	5.4	7.0	0.75	21.0	0.54	828904-1	828922-1									
	1-968855-1	E	PRE TIN PLATED verzinkt	1.0	2.1	2.5	2.7	1.2	4.8	4.8	3.3	3.0	5.4	7.0	0.75	21.0	0.54	828904-1	828922-1									
	1-968882-3	E	SILVER PLATED versilbert	0.2	1.2	2.1	2.1	0.8	4.5	4.5	3.2	2.5	4.9	6.5	0.75	21.0	0.52	828904-1	828922-1									
	1-968882-2	E	GOLD PLATED vergoldet	0.5	1.4	2.1	2.1	0.8	4.5	4.5	3.2	2.5	4.9	6.5	0.75	21.0	0.52	828904-1	828922-1									
	1-968882-1	E	PRE TIN PLATED verzinkt	0.5	1.4	2.1	2.1	0.8	4.5	4.5	3.2	2.5	4.9	6.5	0.75	21.0	0.52	828904-1	828922-1									
	STANDARD CRIMP	1-968853-3	E	SILVER PLATED versilbert	4	2.7	4.5	4.7	2.3	5.7	5.9	3.3	4.3	6.6	8.5	0.8	22.6	0.65	-					-				
		1-968853-2	-	GOLD PLATED vergoldet	4	3.7	4.5	4.7	2.3	5.7	5.9	3.3	4.3	6.6	8.5	0.8	22.6	0.65	-					-				
1-968853-1		E	PRE TIN PLATED verzinkt	4	3.7	4.5	4.7	2.3	5.7	5.9	3.3	4.3	6.6	8.5	0.8	22.6	0.65	-	-									
1-968851-3		E	SILVER PLATED versilbert	1.5	2.2	3.6	3.8	1.7	4.6	4.8	2.6	3.5	5.1	6.7	0.3	20.2	0.56	-	-									
1-968851-2		E	GOLD PLATED vergoldet	2.5	3.0	3.6	3.8	1.7	4.6	4.8	2.6	3.5	5.1	6.7	0.3	20.2	0.56	-	-									
1-968851-1		E	PRE TIN PLATED verzinkt	2.5	3.0	3.6	3.8	1.7	4.6	4.8	2.6	3.5	5.1	6.7	0.3	20.2	0.56	-	-									
1-968849-3		E	SILVER PLATED versilbert	0.5	1.4	2.5	2.7	1.2	3.3	3.5	1.8	3.0	4.6	6.2	0.2	20.2	0.51	-	-									
1-968849-2		E	GOLD PLATED vergoldet	1.0	2.1	2.5	2.7	1.2	3.3	3.5	1.8	3.0	4.6	6.2	0.2	20.2	0.51	-	-									
1-968849-1	E	PRE TIN PLATED verzinkt	1.0	2.1	2.5	2.7	1.2	3.3	3.5	1.8	3.0	4.6	6.2	0.2	20.2	0.51	-	-										
1-968880-3	E	SILVER PLATED versilbert	0.2	1.2	2.1	2.1	0.8	2.9	2.9	1.4	2.5	3.7	5.7	0.2	20.2	0.48	-	-										
1-968880-2	-	GOLD PLATED vergoldet	0.5	1.4	2.1	2.1	0.8	2.9	2.9	1.4	2.5	3.7	5.7	0.2	20.2	0.48	-	-										
1-968880-1	E	PRE TIN PLATED verzinkt	0.5	1.4	2.1	2.1	0.8	2.9	2.9	1.4	2.5	3.7	5.7	0.2	20.2	0.48	-	-										

NOTES:  
Bemerkungen:

- MATING PART SEE INTERFACE DRAWING  
TE-NO.: 114-18230-002  
Gegenstecker nach Ausfuhrungsvorschrift  
TE-Nr.: 114-18230-002
- SURFACE:  
- PRE TIN PLATED 1 TO 3 µm  
- GOLD PLATED MIN. 2 µm (ONLY CONTACT AREA)  
- SILVER PLATED 3 TO 5 µm (ONLY CONTACT AREA)  
Oberflaeche:  
- verzinkt 1 bis 3 µm  
- vergoldet min. 2 µm (nur Kontaktzone)  
- versilbert 3 bis 5 µm (nur Kontaktzone)
- DOUBLE CRIMPS ARE ONLY POSSIBLE WITH  
APPLICATORS AUTHORIZED BY TE (NO HAND TOOL)  
SUITABLE TOOLS ON REQUEST  
Doppelanschlaege sind nur mit von TE zugelassenen  
Anschlagwerkzeugen moeglich (keine Handzangen)  
passende Werkzeuge auf Anfrage
- GAUGE INSPECTION  
Lehrenpruefung
- DETAILS OF DESIGN ARE LEFT TO MANUFACTURER  
Einzelheiten der Ausfuhrung bleiben dem Hersteller ueberlassen
- ONLY GERMAN LANGUAGE VERSION SHALL BE BINDING  
Massgebend ist der deutsche Text
- PUNCHING OIL RAZIOL CLF 11 SG  
Stanzuel:

THIS DRAWING IS A CONTROLLED DOCUMENT.		OWN S. Blidar	22SEP97	 TE Connectivity <b>PRODUCT GROUP DRAWING FOR</b> Tabellenzeichnung fuer AMP MCP 2.8
DIMENSIONS: mm		CHK G. Hotea	22SEP97	
TOLERANCES UNLESS OTHERWISE SPECIFIED: ±0.2		APVD J. Woller	22SEP97	
MATERIAL		NAME	108-18513	
APPLICATION SPEC		SIZE	114-18148	RESTRICTED TO
MATERIAL		WEIGHT	114-18148	SCALE 5:1
Customer Drawing		Customer Drawing	Customer Drawing	SHEET 1 OF 1