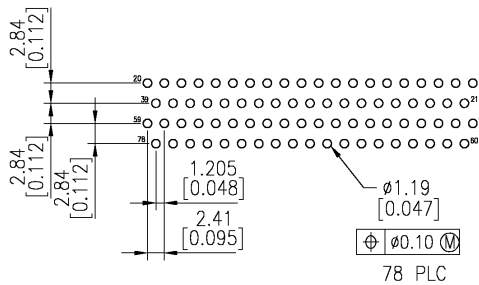
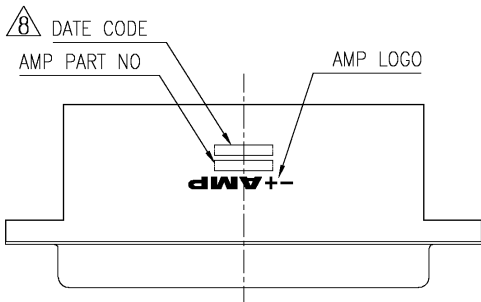
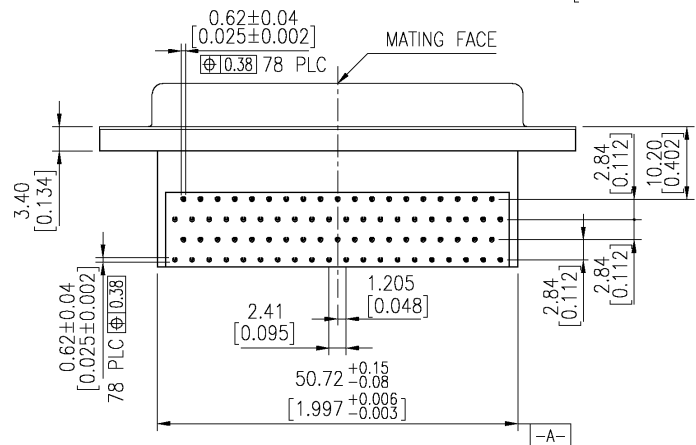
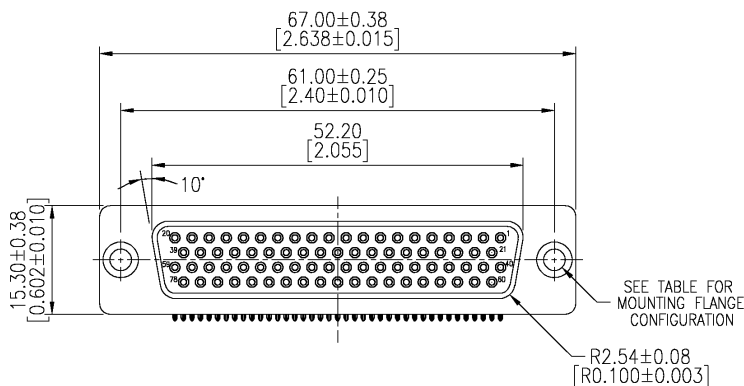
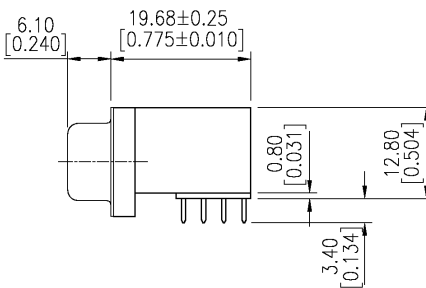


THIS DRAWING IS UNPUBLISHED. RELEASED FOR PUBLICATION  
 © COPYRIGHT BY TYCO ELECTRONICS CORPORATION. ALL RIGHTS RESERVED.

LOC		DIST		REVISIONS			
GP	OO	P	LT/R	DESCRIPTION	DATE	DWN	APVD
		D		REVISED PER EC OS13-0380-03	24SEP03	JG	CC



RECOMMENDED PCB LAYOUT

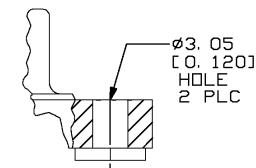


MATERIAL:

- Housing: PBT, 30% G.F polyester, Black. (UL 94V-0 Rated)
- Contact: Phos. Bronze.
- Contact Plated: Gold Plated over 50u" Nickel underplated.
- Solder Tail: Sn/Pb Plated 120u" over 50u" Nickel underplated.
- Shell: Steel, Nickel Plated.

△ Four digit date code in this format.

Year 01 45 Manufacturing Week



Detail A

Tray	Detail A	Gold flash	788147-3
Tray	Detail A	15 μ"	788147-2
Tray	Detail A	30 μ"	788147-1
Packaging	Mounting Flange	Contact Finish	AMP Part NO.

DIMENSIONS:		TOLERANCES UNLESS OTHERWISE SPECIFIED:		THIS DRAWING IS A CONTROLLED DOCUMENT.		Tyco Electronics Corporation	
MM	Ø	0 PLC ± -	APVD	DWN J. BURWELL 10JULY02	Tyco Electronics Corporation		
		1 PLC ± 0.30	NAME	CHK C. CASH 10JULY02	AMPLIMITE HD-22		
		2 PLC ± 0.20	PRODUCT SPEC	78 POS RECEPTACLE, RIGHT ANGLE			
		3 PLC ± 0.10	APPLICATION SPEC	-			
		4 PLC ± - Z	SIZE	CAGE CODE	DRAWING NO	RESTRICTED TO	
MATERIAL	FINISH	WEIGHT	A2	00779	788147	-	
		CUSTOMER DRAWING	SCALE	4:1	SHEET	1 OF 1	REV D