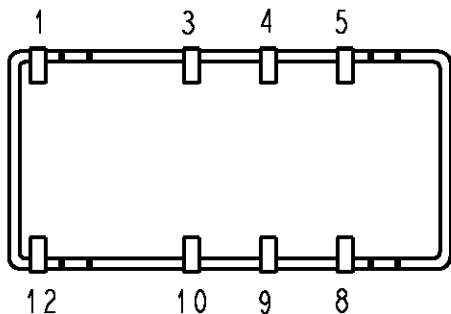
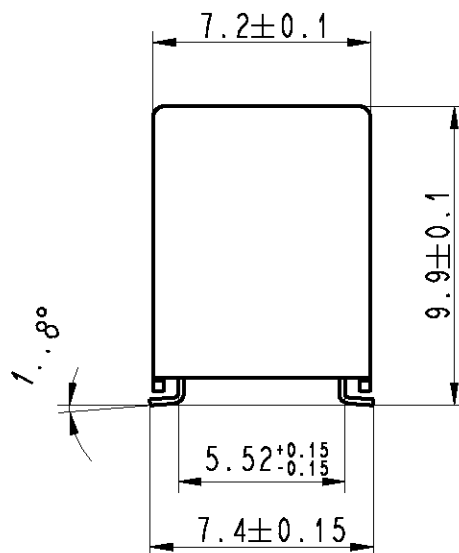
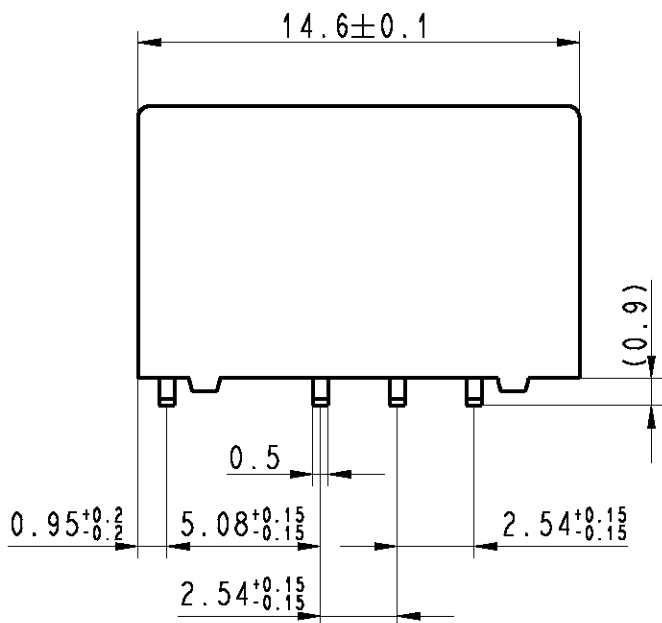


LOC	DIST	REVISIONS					
		P	LTR	DESCRIPTION	DATE	DWN	APVD
HJ	-		C2	REVISED PER ECO-11-005150	25MAR11	RK	HMR



Relay - bottom view



xx = Relay type
YYWW = Date code

DRAWING ALIAS C23303-A079-A007

RELEASED FOR PUBLICATION

ALL RIGHTS RESERVED.

THIS DRAWING IS UNPUBLISHED.

BY -
© COPYRIGHT

DIMENSIONS: mm	DWN	Korytak	02Jun2004	MATERIAL	-	FINISH	-
	CHK	Korytak	02Jun2004				
TOLERANCES UNLESS OTHERWISE SPECIFIED: DIN 7168-m	APVD	Korytak	02Jun2004				
0 PLC ±-	PRODUCT SPEC	-					
1 PLC ±	APPLICATION SPEC	-					
2 PLC ±	WEIGHT	-					
3 PLC ±	CUSTOMER DRAWING	NAME	P2-Relay SMT N (Narrow) Dimensions				
4 PLC ±		SIZE	CAGE CODE	DRAWING NO	RESTRICTED TO		
ANGLES ±-		A4	00779	C-1393789-3	-		
		SCALE	4:1	SHEET	1	OF	1
				REV	C2		