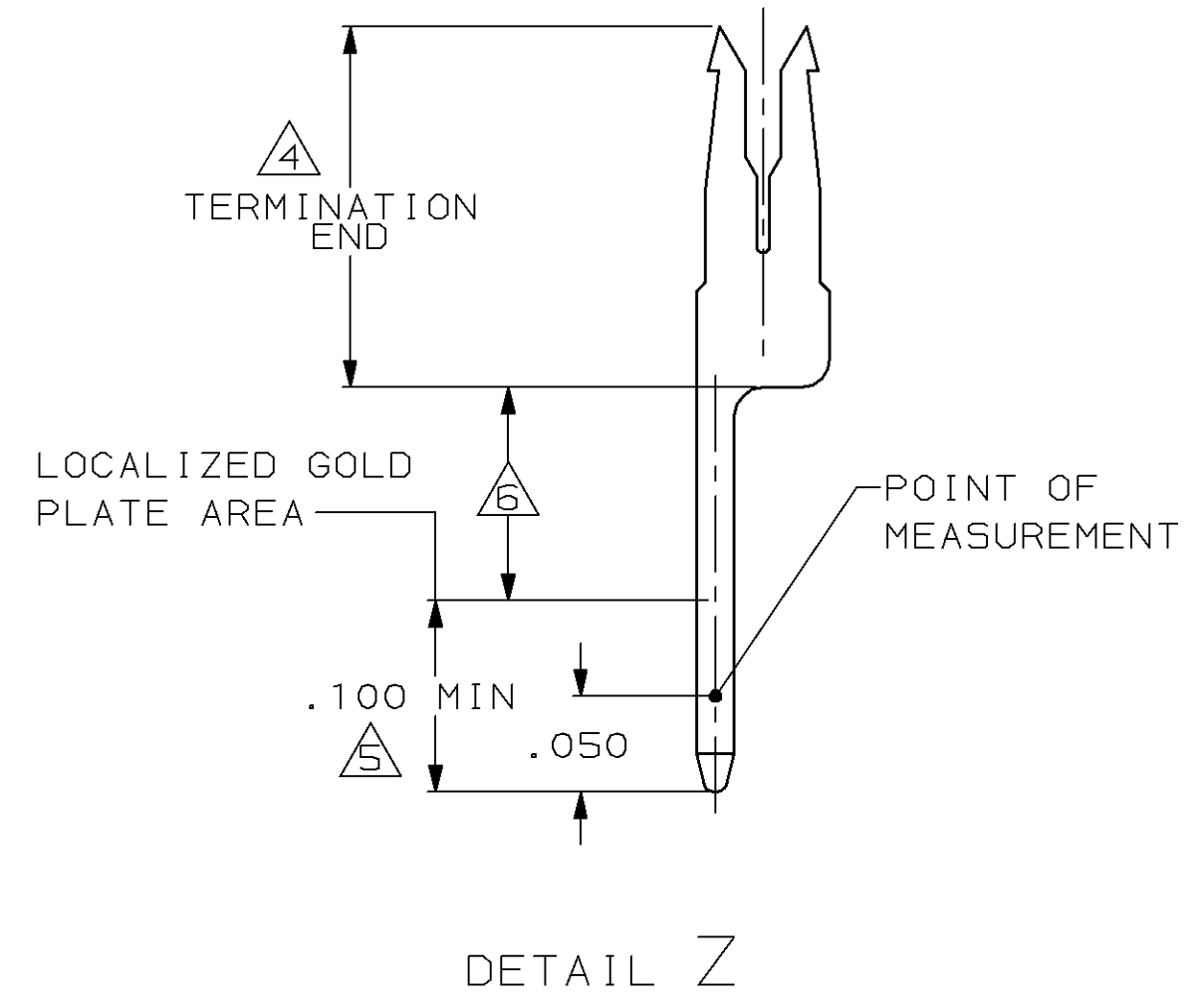
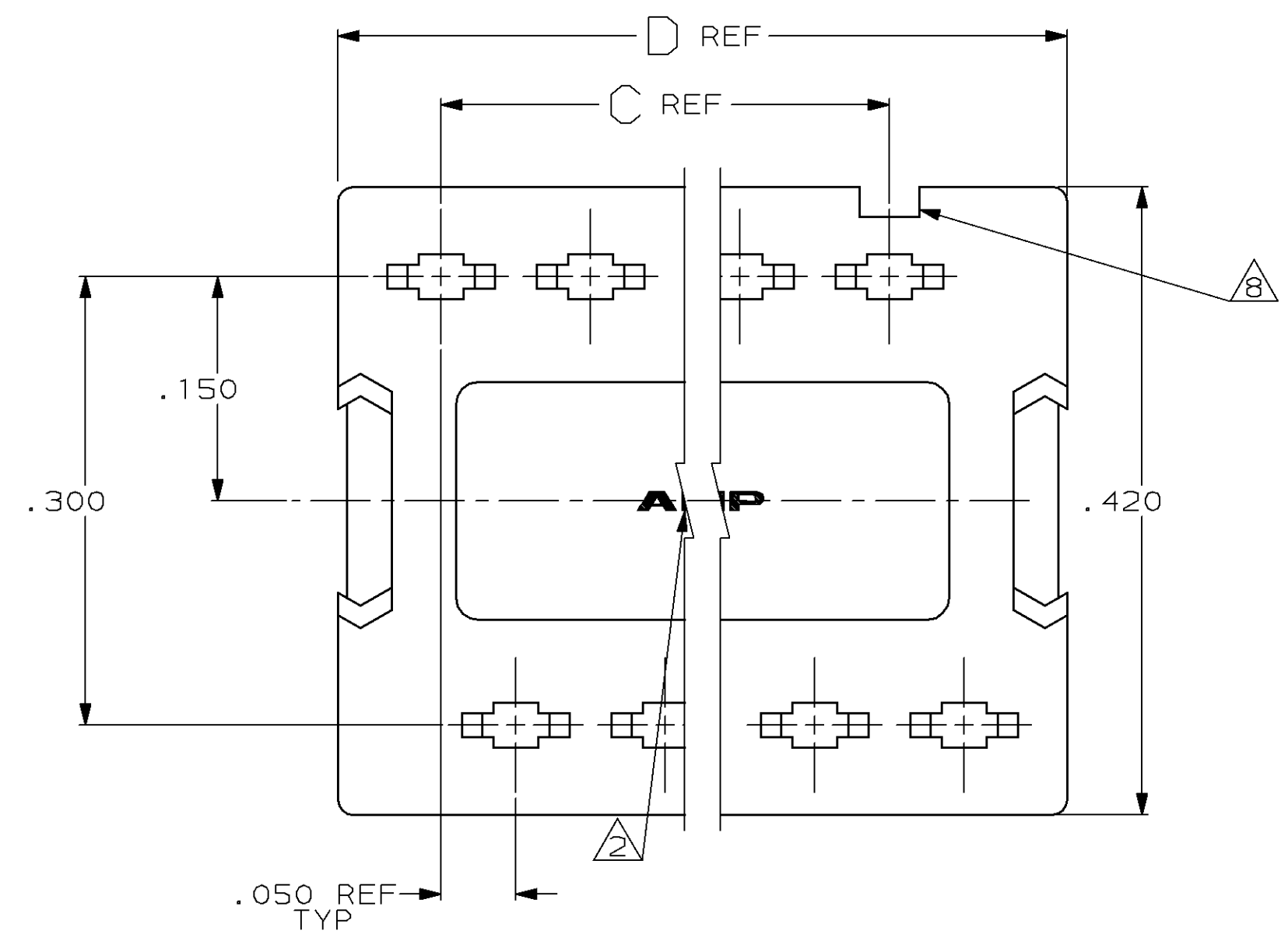
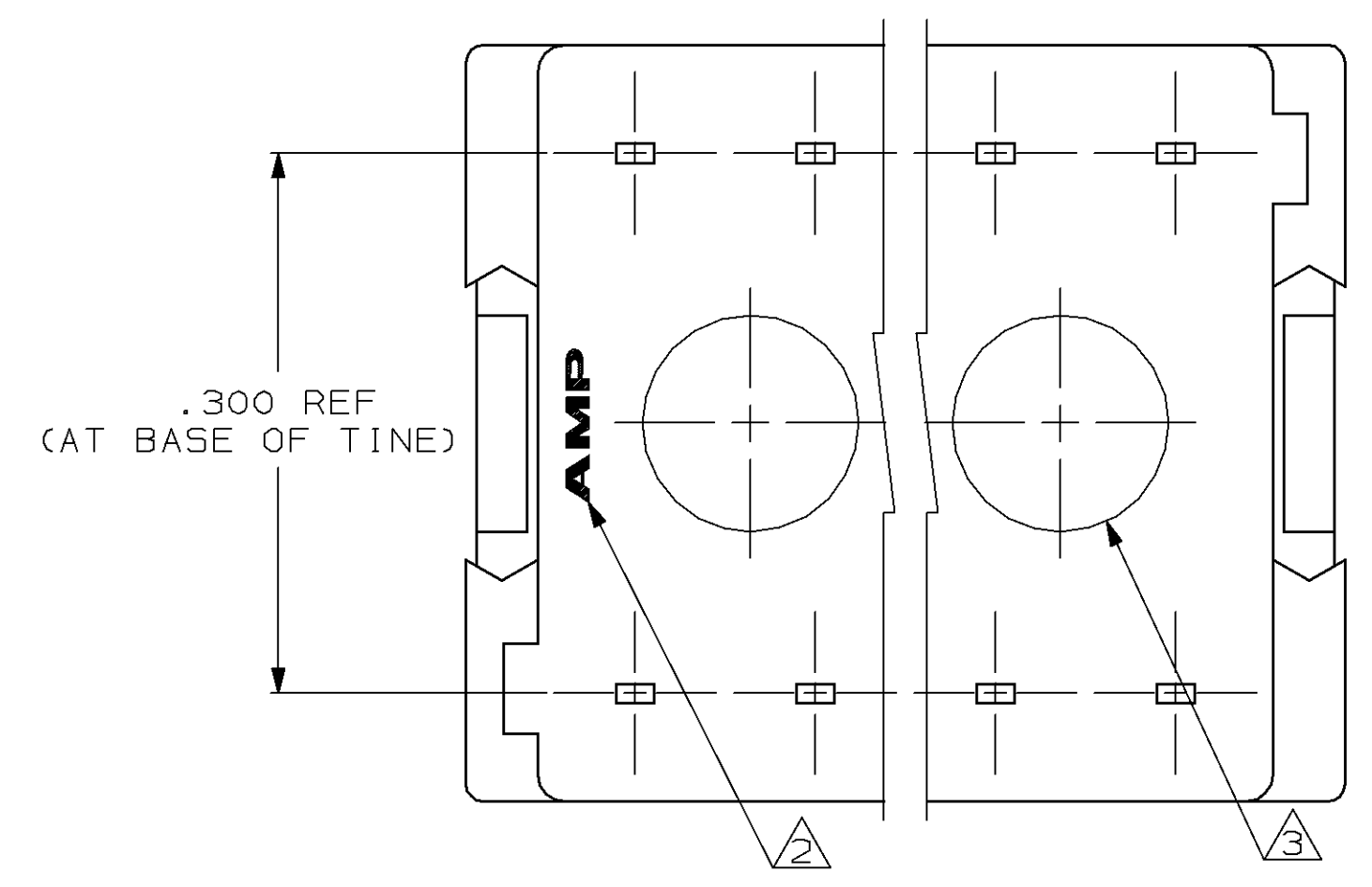
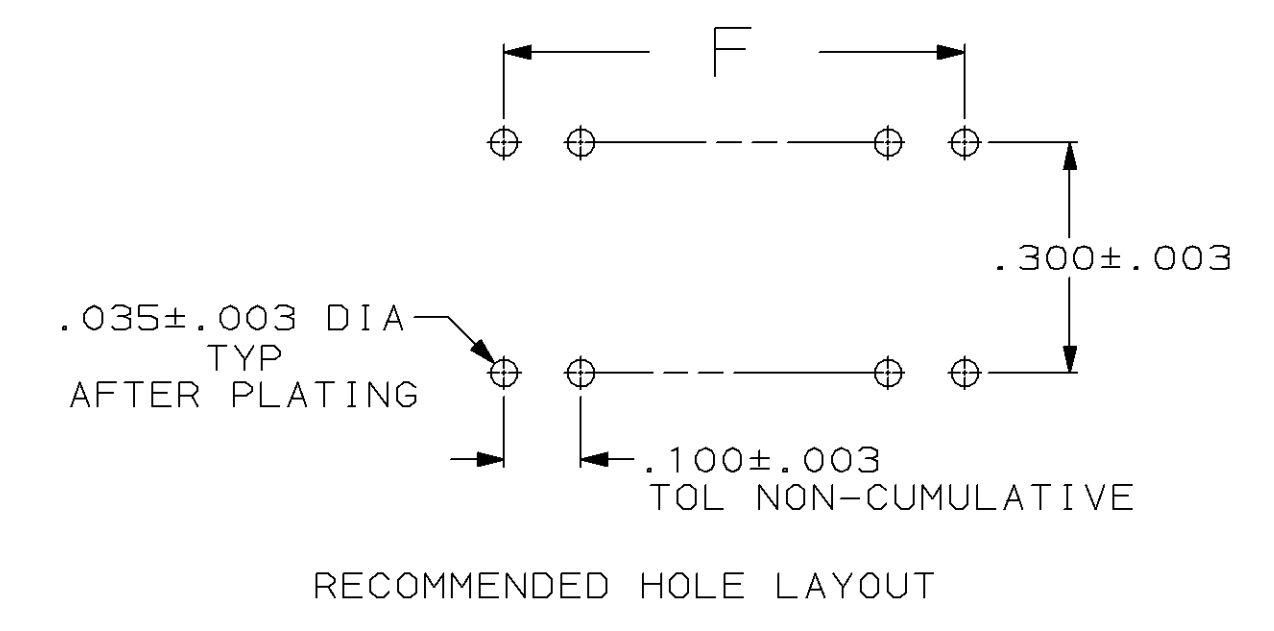
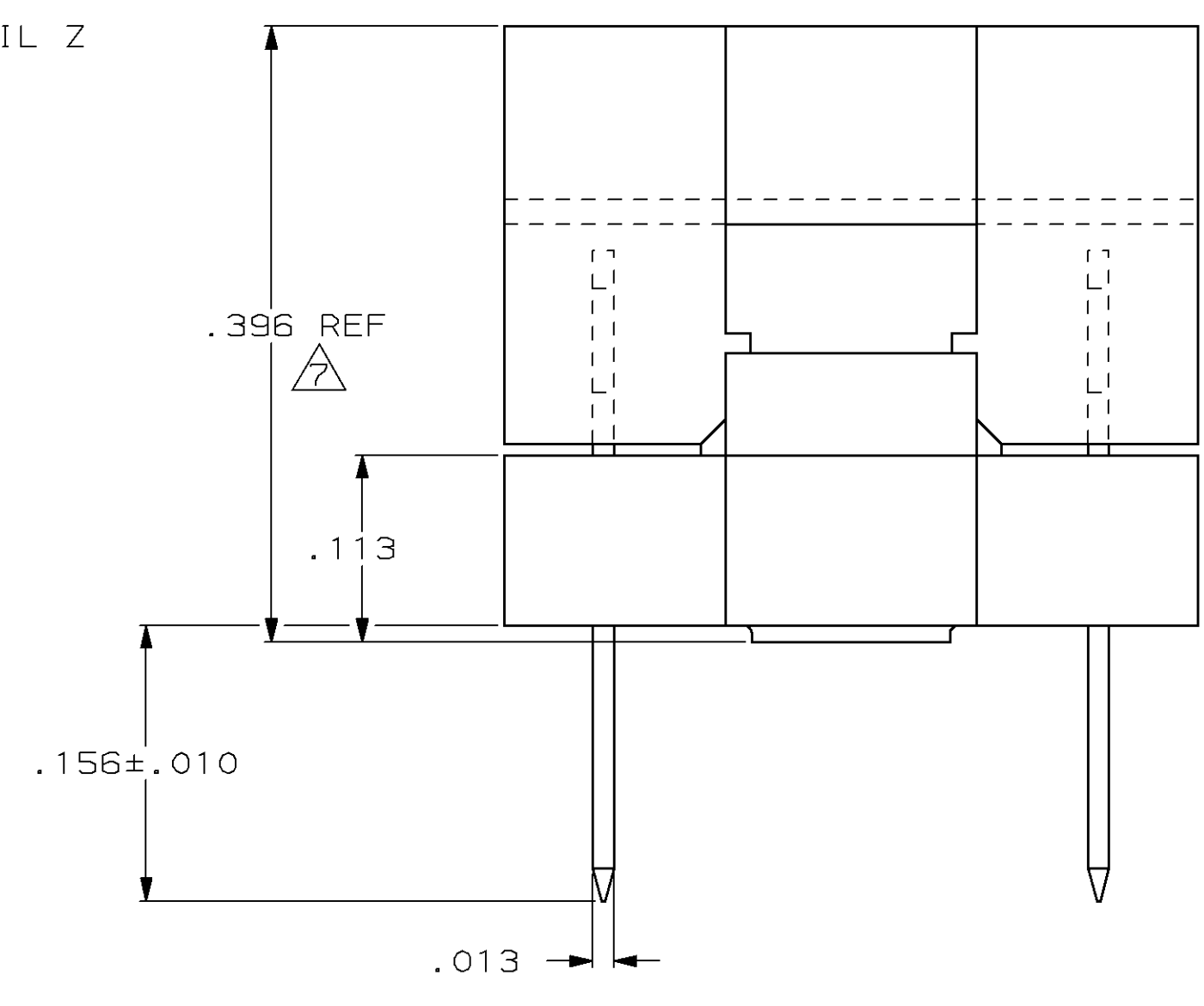
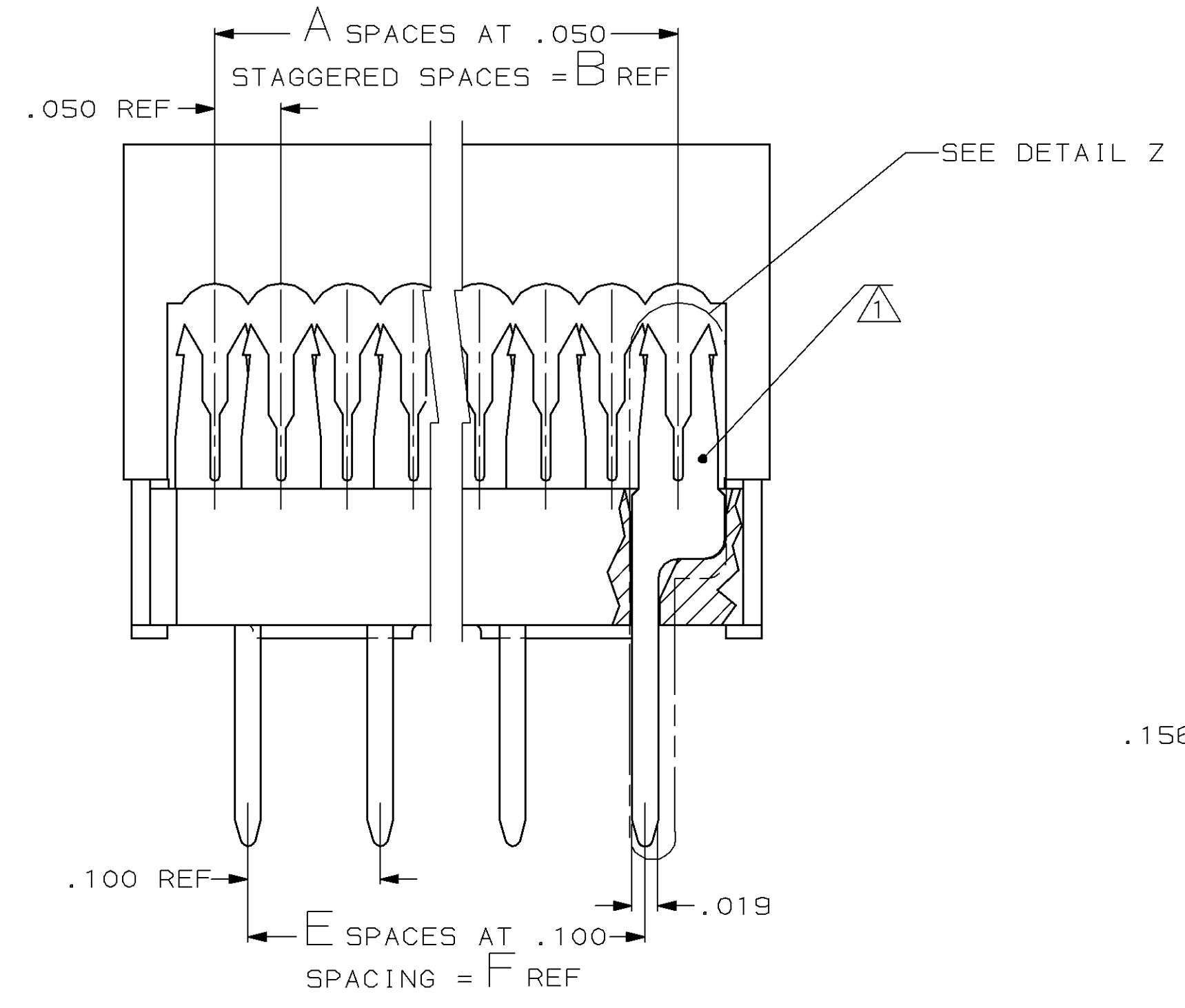


LOC	DIST	REVISIONS			
P	LTR	DESCRIPTION	DATE	DMN	APVD
G		REV PER ECN CF1823	01 JUL 88	-	DH
H		OBS -1, -4, -5	16 DEC 96	CR	JS
		PER EC 0020-564-96			



- ⚠ CONTACTS DESIGNED FOR 28 AWG STRANDED OR 26, 28, & 30 AWG SOLID WIRE.
- ⚠ AMP TRADEMARK LOCATED IN APPROX AREA SHOWN.
- ⚠ STANDOFFS: POSN 8 (2) STANDOFFS AS SHOWN. POSN 14-18 (3) STANDOFFS, (1) CENTERED BETWEEN (2) SHOWN
- ⚠ PLATED WITH .000100 - .000200 BRIGHT TIN LEAD OVER .000050 NICKEL.
- ⚠ PLATED WITH .000015 GOLD OVER .000050 NICKEL.
- ⚠ GOLD FLASH OVER .000050 NICKEL.
- ⚠ HEIGHT AFTER TERMINATION IS .253 REF.
- ⚠ INDICATES NO 1 POSITION.
- ⚠ MOLDED PARTS: THERMOPLASTIC, 94V-0 RATED, BLACK.
- ⚠ CONTACTS: PHOSPHOR BRONZE.



OBSOLETE	.900	9	1.088	.900	.950	19	20	746612-5
OBSOLETE	.800	8	.988	.800	.850	17	18	746612-4
	.700	7	.888	.700	.750	15	16	746612-3
	.600	6	.788	.600	.650	13	14	746612-2
OBSOLETE	.300	3	.488	.300	.350	7	8	746612-1
	F	E	D	C	B	A	NO OF POSN	PART NUMBER

THIS DRAWING IS A CONTROLLED DOCUMENT.

DMN: H. E. ZELKO 10 JAN 86
 CHK: J. PFACHEY 8 JAN 86
 APVD: M. SCULLY 10 JAN 86

AMP AMP Incorporated
 Harrisburg, PA 17105-3508

NAME: 108-40013
 PRODUCT SPEC: 108-40013
 APPLICATION SPEC: 114-40005

SIZE: A1
 CAGE CODE: 00779
 DRAWING NO: 746612

MATERIAL: 30
 FINISH: 30

WEIGHT: -
 CUSTOMER DRAWING

SCALE: 10:1
 SHEET: 1 OF 1
 REV: H