

spec ref -		dr Andrew Yong	2010/10/22	projection	MM	size A3	scale 10:1
tolerance std ISO 406 ISO 1101		eng Laurence Zang	2017/07/06			ecn no ELX-N-27401-1	
TOLERANCES UNLESS OTHERWISE SPECIFIED		chr -	-			rel level Released	
surface ✓ ISO 1302	linear	0.X	± -	product family MINITEK		dwg no 91753	rev AG
		0.XX	± 0.25	MNITEK II SMT STR			
		0.XXX	± -	HEADER WITH LOC		cat. no. - Product - Customer Drw sheet 1 of 3	
	angular	0°	± °	www.fci.com		STATUS: Released	

1

2

3

4

PRODUCT NO.	POS	DIM X	DIM Y	DIM Z	DIM H	DIM W	POL. POS	PLATING	MAT'L
91753-001	2X22	42	44	40	4.0	2.0	-	0.76µm MIN GXT	SEE NOTE ①
-002	2X11	20	22	18	2.7	2.0	-	0.38µm MIN Au	▲
-003	2X12	22	24	20	4.0	2.4	-	0.76µm MIN GXT	
-004	2X14	26	28	24	4.0	2.0	-	0.76µm MIN GXT	
-005	2X14	26	28	24	5.0	2.0	-	0.76µm MIN GXT	
-006	2X7	12	14	10	5.9	2.0	-	0.76µm MIN GXT	
-007	2X3	4	6	2	4.0	2.0	-	0.76µm MIN GXT	
-008	2X22	42	44	40	4.0	2.0	20	0.76µm MIN GXT	
-009	2X10	18	20	16	4.0	2.0	-	0.38µm MIN GXT	
-010	2X10	18	20	16	4.5	2.0	-	0.38µm MIN GXT	
-011	2X8	14	16	12	5.9	2.0	-	0.76µm MIN GXT	
-012	2X15	28	30	26	5.0	2.0	-	0.76µm MIN GXT	
-013	2X25	48	50	46	5.0	2.0	-	0.76µm MIN GXT	
-014	2X16	30	32	28	4.5	2.0	-	0.76µm MIN GXT	
-015	2X8	14	16	12	4.0	2.0	-	0.38µm MIN GXT	
-016	2X15	28	30	26	4.0	2.0	-	0.38µm MIN GXT	
-017	2X7	12	14	10	4.5	2.0	-	0.76µm MIN GXT	▼
-018	2X4	6	8	4	9.4	2.0	-	0.38µm MIN GXT	SEE NOTE ①
-019	2X4	6	8	4	4.0	2.0	-	CONTACT;0.05µm MIN. Au TAIL:2.54µm MIN.matte Sn	SEE NOTE ①
-020	2X11	20	22	18	4.0	2.0	-	CONTACT;0.05µm MIN. Au TAIL:2.54µm MIN.matte Sn	SEE NOTE ①
-021	2X7	12	14	10	4.0	2.0	-	CONTACT;0.38µm MIN. Au TAIL:2.54µm MIN.matte Sn	SEE NOTE ①
-022	2X11	20	22	18	4.0	2.0	-	CONTACT;0.38µm MIN. Au TAIL:2.54µm MIN.matte Sn	SEE NOTE ①
-023	2X9	16	18	14	4.0	2.0	-	CONTACT;0.38µm MIN. Au TAIL:2.54µm MIN.matte Sn	SEE NOTE ①
-024	2X6	10	12	8	4.0	2.0	-	CONTACT;0.38µm MIN. GXT TAIL:2.54µm MIN.matte Sn	SEE NOTE ①

Amphenol FCI

© 2016 AFCI

A

B

C

D

A

B

C

D

spec ref	-	dr	Andrew Yong	2010/10/22	projection	MM	size	A3	scale	10:1	
tolerance std	ISO 406 ISO 1101	eng	Laurence Zang	2017/07/06		← →	ecn no	ELX-N-27401-1			
TOLERANCES UNLESS OTHERWISE SPECIFIED		chr	-	-			product family	MINITEK	rel level	Released	
surface	linear	appr	Tim Yao	2017/07/06	product family			MINITEK	rel level	Released	
ISO 1302	angular	Amphenol FCI		MNITEK II SMT STR			dwg no	91753		rev	AG
		www.fci.com		cat. no.			Product - Customer Drw			sheet 2 of 3	


1

2

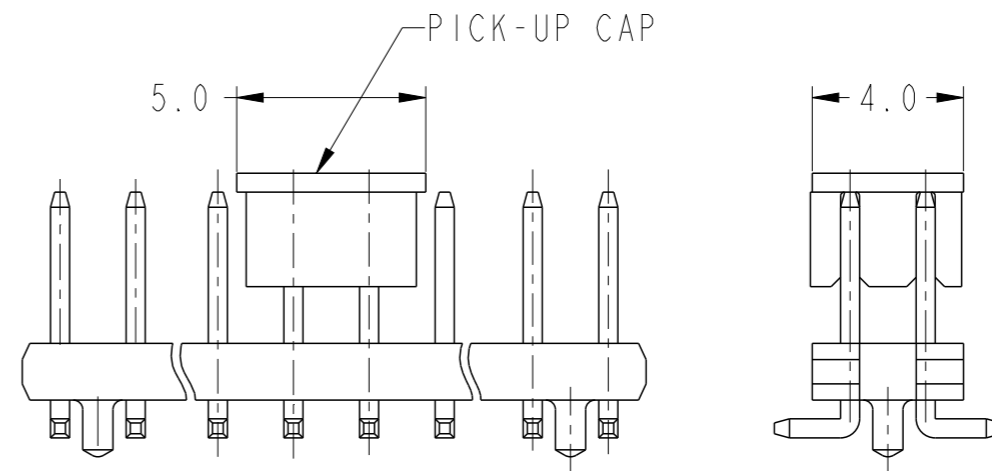
3

4

NOTES:

1. MATERIAL:
 BODY : GLASS FILLED PCT UL 94V-0 NATURAL (BEIGE)
 PIN : PHOSPHOR BRONZE
2. TOLERANCE UNLESS OTHERWISE NOTED ± 0.25
3. POLARISED BY OMISSION OF PINS. REFER TO TABLE FOR POSITION.
4. ALTERNATE DESIGN OF BOTH ENDS. REFER TO FIG 1.
5. STANDARD PACKAGING IN POLYTHENE BAG. FOR TUBE PACKAGING, QUOTE P/N 91753-XXXT.
6. 91753-XXXTRLF PACKED IN TAPE AND REEL WITH PICK-UP CAP INSTALLED. SEE FIG 2. 91753-XXXTRNLF PACKED IN TAPE AND REEL W/O PICK-UP CAP.
7. PRODUCT DESCRIPTION CODE:
 XXXXX-XXXLF


LEAD FREE. SEE NOTE 9
 EXTENSION NUMBER
 BASE NUMBER
8. THE HOUSING WILL WITHSTAND EXPOSURE TO 250°C PEAK TEMPERATURE FOR 10 SECONDS IN A CONVECTION, INFRA-RED OR VAPOR PHASE REFLOW OVEN.
9. THIS PRODUCT MEETS EUROPEAN UNION DIRECTIVES AND OTHER COUNTRY REGULATIONS AS DESCRIBED IN GS-22-008.



SCALE 5:1
 FIG. 2
 NOTE 6

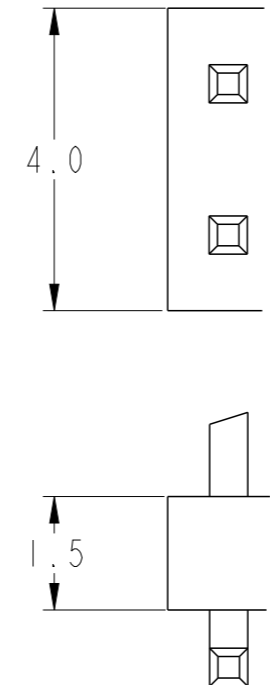
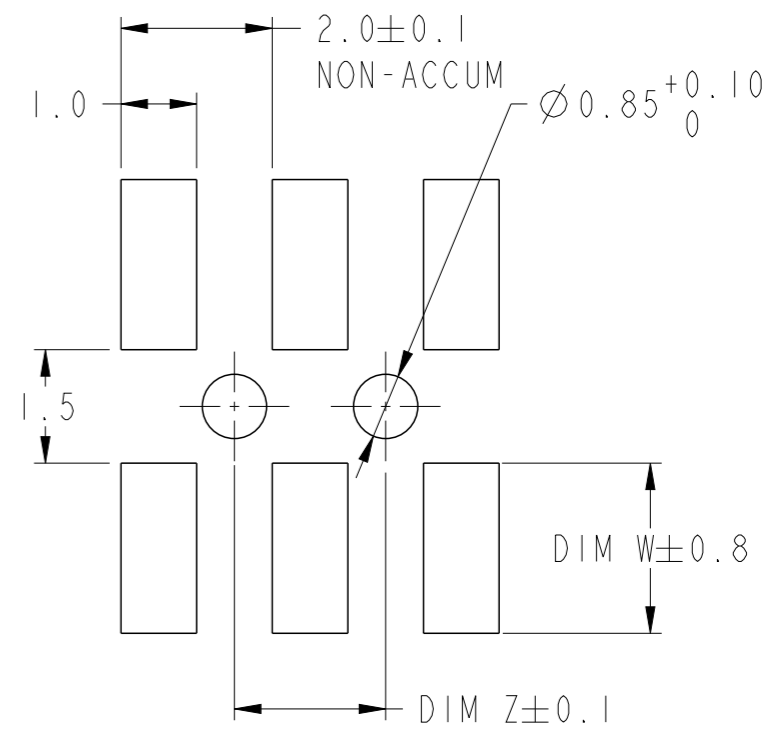


FIG. 1
 NOTE 4



RECOMMENDED PAD LAYOUT

spec ref	-	dr	Andrew Yong	2010/10/22	projection	MM	size	A3	scale	10:1		
tolerance std	ISO 406 ISO 1101	eng	Laurence Zang	2017/07/06			ecn no	ELX-N-27401-1				
TOLERANCES UNLESS OTHERWISE SPECIFIED		chr	-	apppr			Tim Yao	2017/07/06	product family	MINITEK rel level Released		
surface	 ISO 1302	linear	0.X	±-	Amphenol FCI MNITEK II SMT STR HEADER WITH LOC www.fci.com			dwg no	91753		rev	AG
		angular	0°	±°				cat. no.	-	Product - Customer Drw	sheet 3 of 3	

© 2016 AFCI
 Amphenol FCI