

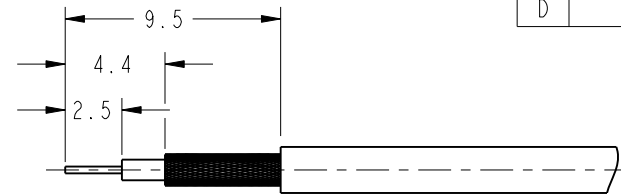
NOTES:

1. MATERIALS AND FINISHES(PLATING THICKNESS IN MICRO-INCHES):
 BODY, FERRULE, RETAINING RING - BERYLLIUM COPPER, WHITE BRONZE PLATING MIN 80 THICK
 CONTACT - BERYLLIUM COPPER, GOLD PLATING MIN 30 THICK
 INSULATOR - PTFE
2. ELECTRICAL:
 A. IMPEDANCE: 50 OHM
 B. DIELECTRIC WITHSTANDING VOLTAGE: 750 VRMS, MIN.
3. MECHANICAL:
 A. DURABILITY: 500 CYCLES MIN.
 B. TEMPERATURE RANGE: -65°C to +165°C
4. CRIMPED FERRULE
 HEX CRIMP SIZE .105"
5. CENTER CONDUCTOR TO BE SOLDERED TO CENTER CONTACT
6. PACKAGING:
 A. QUANTITY: SINGLE PACK
 B. MARKING: BAG TO BE MARKED
 "AMPHENOL, 902-NM5809, DATE CODE AND REV LEVEL"

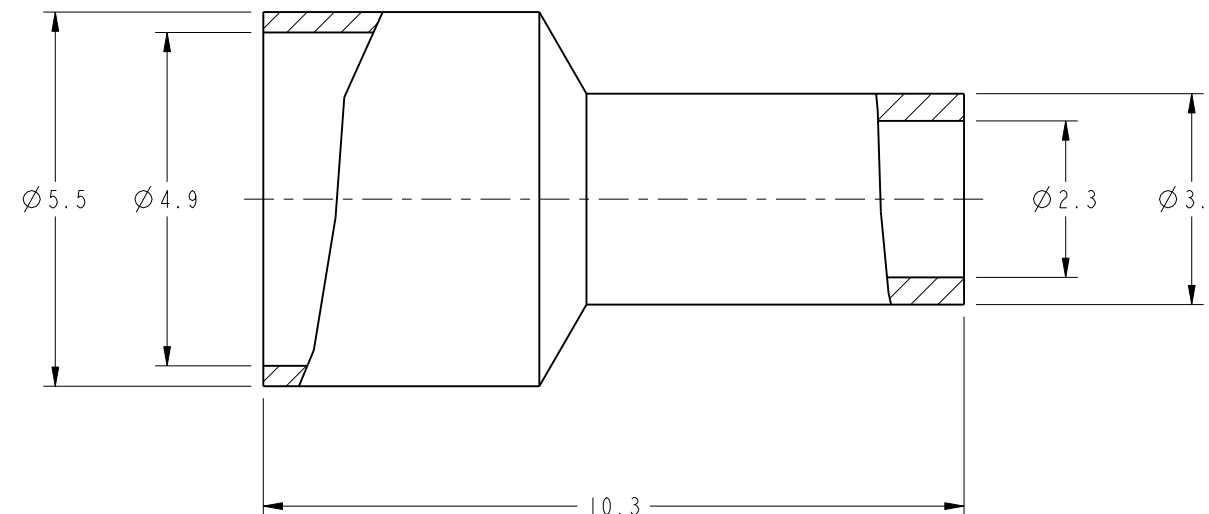
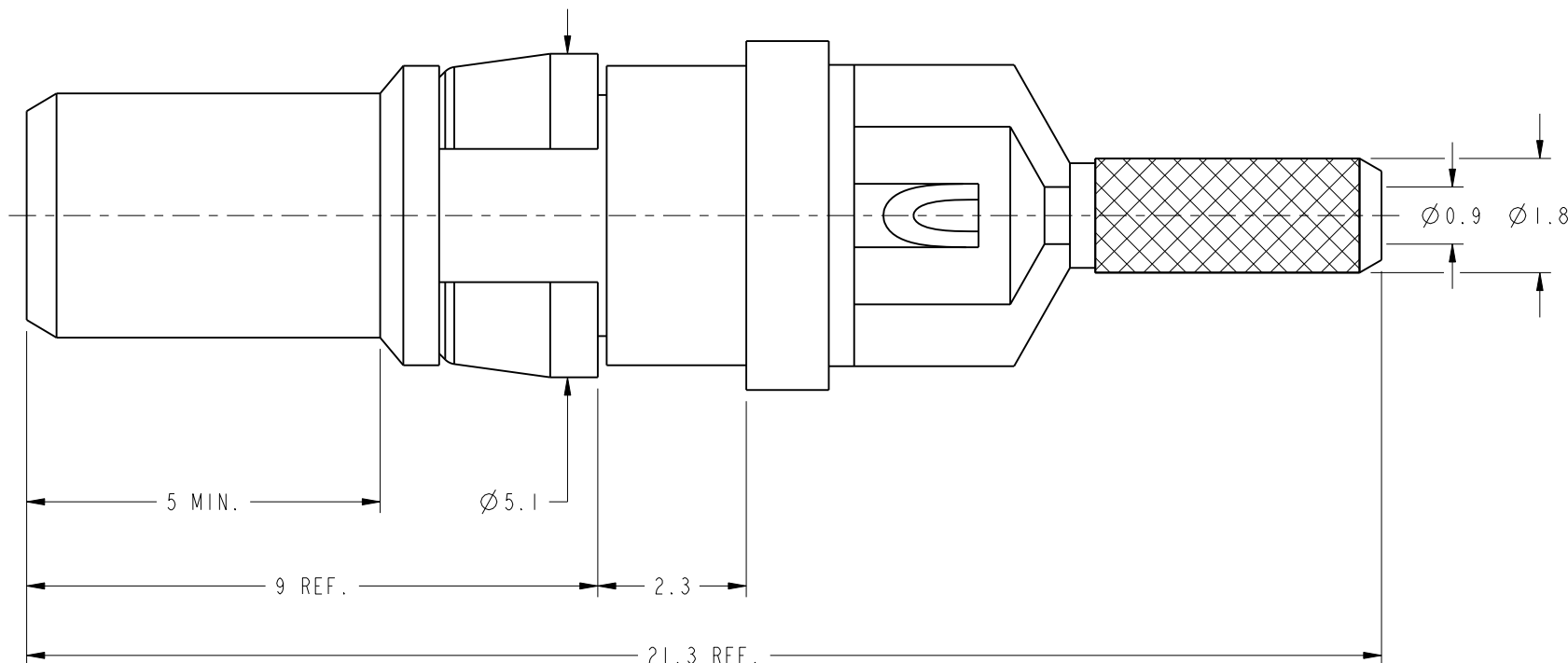
THIRD ANGLE PROJ.

REVISIONS

REV	DESCRIPTION	DATE	ECO	APPR
A	RELEASE TO MFG	24-Aug-09	47755	SH
B	CRIMP TOOL'S SIZE WAS CHANGED\RD-DM1007220IT1	27-Jul-10	48184	SH
C	ADDED REV LEVEL TO PACKAGING	02-Nov-12	49306	SH
D	IMPROVED THE STAKING PROCESS	07-Mar-13	49477	SH



RECOMMENDED
CABLE STRIPPING DIM'S



CUSTOMER OUTLINE DRAWING

ALL OTHER SHEETS ARE FOR INTERNAL USE ONLY

UNLESS OTHERWISE SPECIFIED, DIMENSIONS ARE IN METRIC AND TOLERANCES ARE:
 <0.5mm ±0.05mm 0.5 - 6mm ±0.1mm 6 - 30mm ±0.2mm 30 - 120mm ±0.3mm ANGLES ±1°

NOTICE - These drawings, specifications, or other data (1) are, and remain the property of Amphenol corp. (2) must be returned upon request; and (3) are confidential and not to be disclosed to any person other than those to whom they are given by Amphenol Corp. the finishing of these drawings, specifications, or other data by Amphenol Corp., or to any other person to anyone for any purpose is not to be regarded by implication or otherwise in any manner licensing, granting rights to permitting such holder or any other person to manufacture, use or sell any product, process or design, patented or otherwise, that may in any way be related to or disclosed by said drawings, specifications, or other data.

MATERIAL SEE NOTES	DRAWN T. DENG	DATE 07-Mar-13
REFERENCE EAR # 2801	ENGINEER R. RAJAN	DATE 20-Aug-09
CONFIGURATION LEVEL:	APPROVED S. HSIEH	DATE 07-Mar-13
FINISH	CAD FILE	

TITLE D-SUB CRIMP PLUG FOR RG 178 NON-MAGNETIC
SCALE: 9.0:1.0 SHEET 2 OF 2
DWG SIZE B
REV D

Amphenol RF www.amphenolrf.com	
DRAWING NO. 902-NM5809	
ITEM NO. 902-NM5809	
PART NO. 902-NM5809	