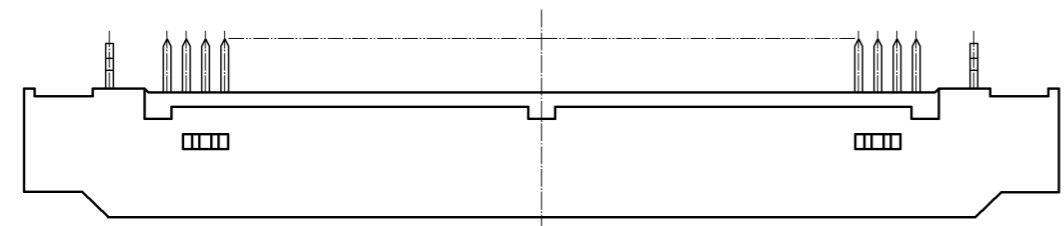
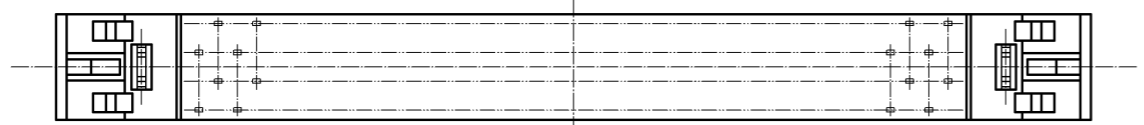
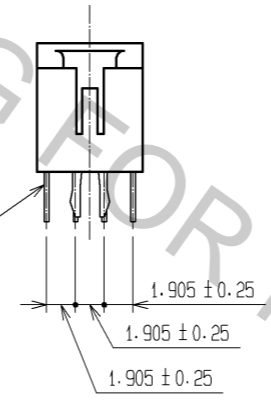
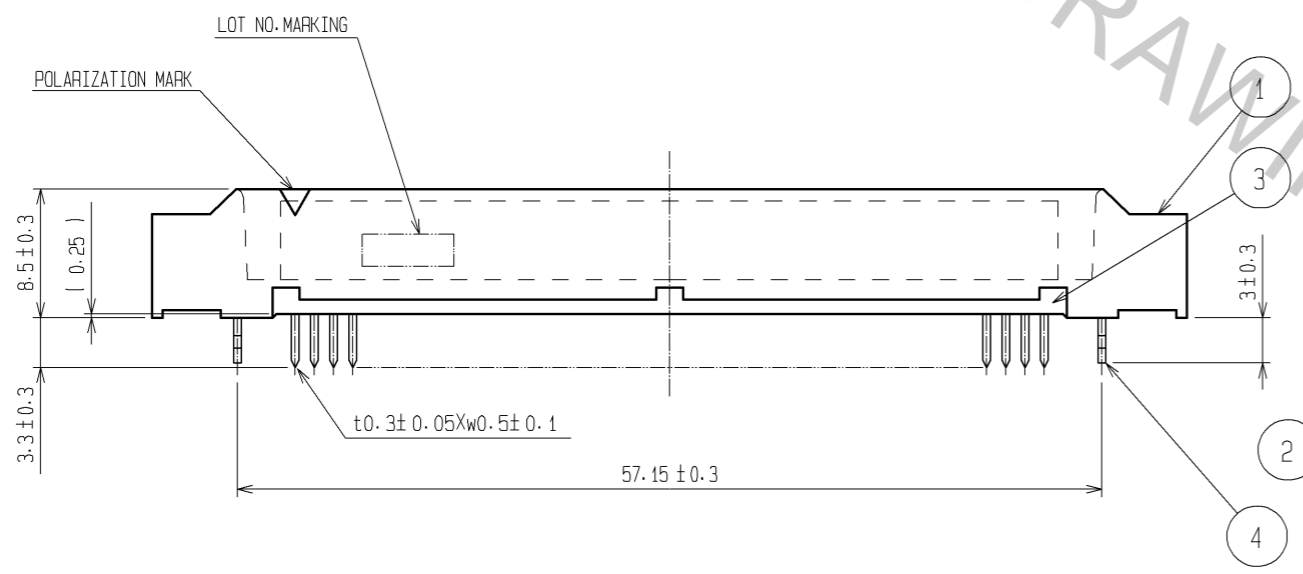
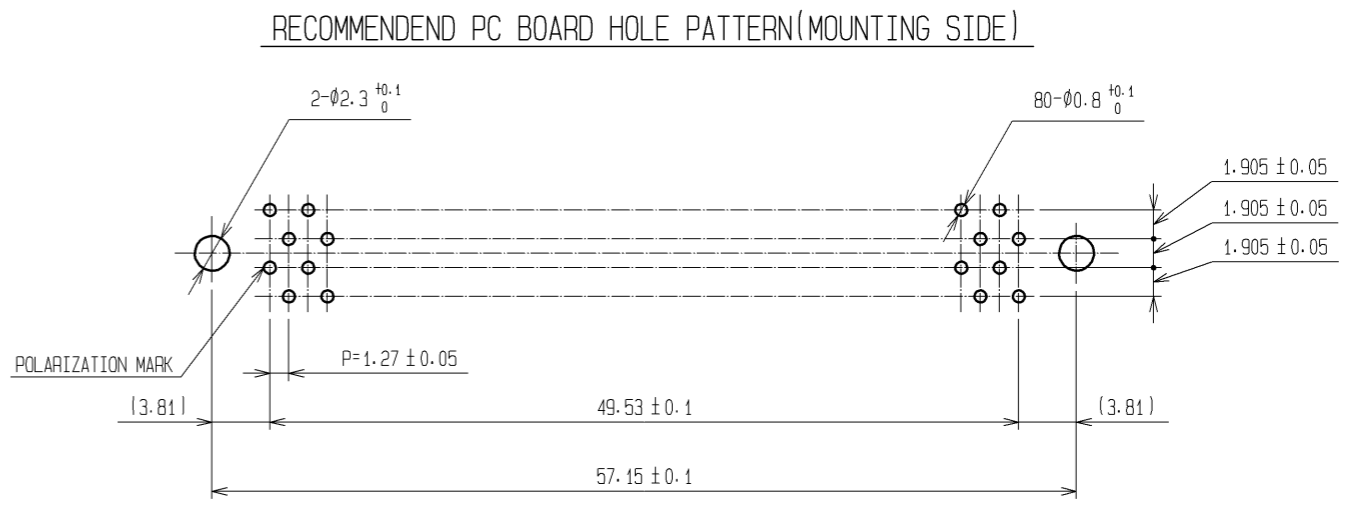
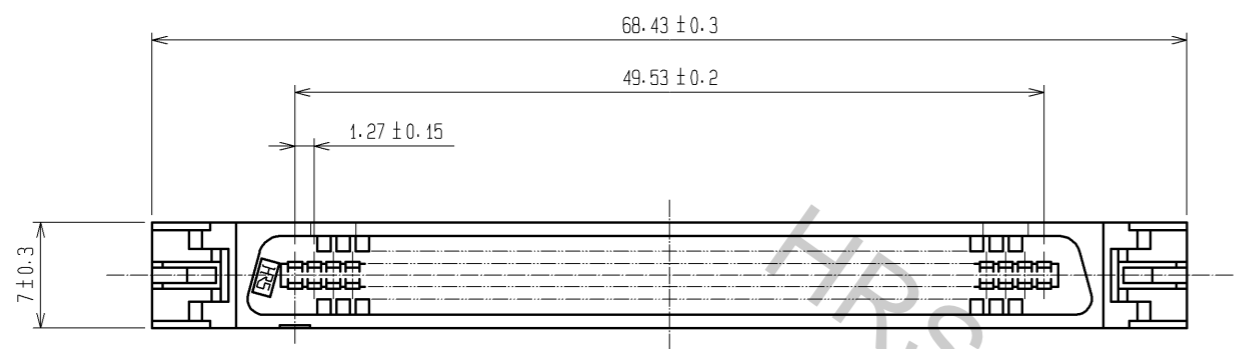


Apr.1.2017 Copyright 2017 HIROSE ELECTRIC CO., LTD. All Rights Reserved.



NOTE THE DIMENSIONS IN PARENTHESES ARE FOR REFERENCE.

4	PHOSPHOR BRONZE	TIN-PLATING	2	BLASS	CONTACT AREA:GOLD FLASH
1.3	POLYAMIDE	BLACK UL94V-0			DIP AREA:TIN-PLATING 2μm min.
					UNDER PLATING:NICKEL 1μm min.
NO.	MATERIAL	FINISH . REMARKS	NO.	MATERIAL	FINISH . REMARKS
UNITS	⊕	SCALE	COUNT	DESCRIPTION OF REVISIONS	
mm		2 : 1	△	DESIGNED	CHECKED
		APPROVED : HS. OKAWA	07.05.07	DRAWING NO. EDC3-150656-21	
HIROSE ELECTRIC CO., LTD.		CHECED : HS. OZAWA	07.05.07	PART NO. FX2BA-80PA-1.27DSAL(71)	
		DESIGNED : KT. DOI	07.05.07	CODE NO. CL572-0977-0-71	
		DRAWN : TS. MIYAKI	07.04.26	1/1	