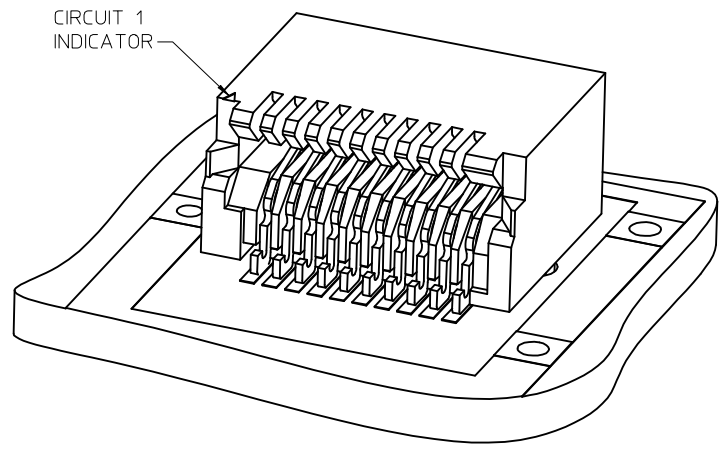


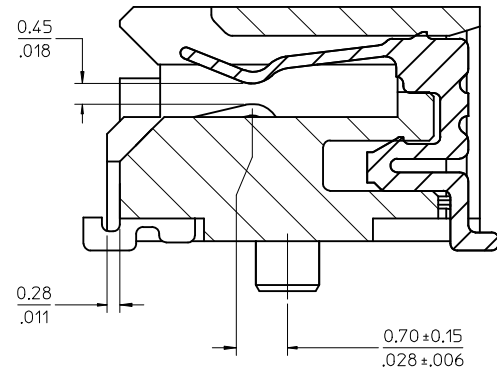
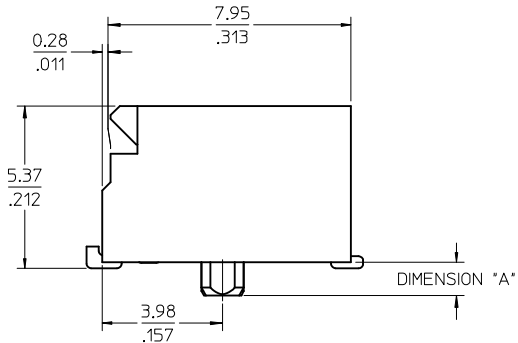
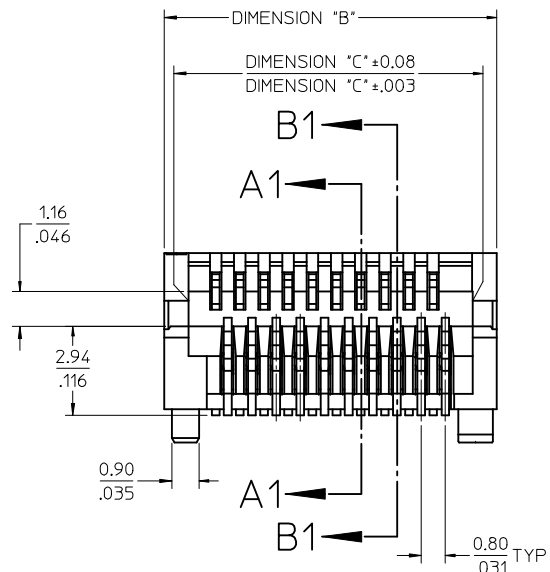
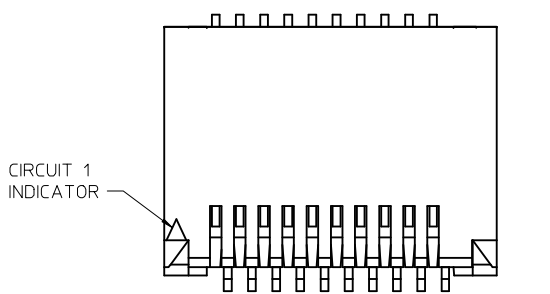
CKT SIZE	PART NUMBER	TOOLED	DESCRIPTION	DIMENSIONS				MULTI-SOURCE AGREEMENT	CIRCUIT BOARD LAYOUT
				"A"	"B"	"C"	"D"		
20	74441-0001	YES	PLATED PER NOTE 2	1.10/.043	11.00/.433	9.40/.370	9.60/.378	SFP	SEE SHEET 3
	74441-0004	NO*	PLATED PER NOTE 2	0.76/.030					
	74441-0010	YES	PLATED PER NOTE 3	1.10/.043					
	74441-0014	NO*	PLATED PER NOTE 3	0.76/.030					
	74441-0021	YES	PLATED PER NOTE 4	1.10/.043					
	74441-0031	YES	PLATED PER NOTE 5	1.10/.043					
30	74441-0007	YES	PLATED PER NOTE 2	1.10/.043	15.00/.591	13.40/.528	13.60/.535	XFP	SEE SHEET 4
	74441-0017	YES	PLATED PER NOTE 3	1.10/.043					
	74441-0027	YES	PLATED PER NOTE 4	1.10/.043					
40	74441-0005	YES	PLATED PER NOTE 2	1.10/.043	19.00/.748	17.40/.685	17.60/.693		SEE SHEET 5
	74441-0015	YES	PLATED PER NOTE 3	1.10/.043					
	74441-0025	YES	PLATED PER NOTE 4	1.10/.043					
50	74441-0008	YES	PLATED PER NOTE 2	1.10/.043	23.00/.906	21.40/.843	21.60/.850		SEE SHEET 6
	74441-0018	YES	PLATED PER NOTE 3	1.10/.043					
	74441-0028	YES	PLATED PER NOTE 4	1.10/.043					
	74441-0038	YES	PLATED PER NOTE 5	1.10/.043					
70	74441-0003	YES	PLATED PER NOTE 2	1.10/.043	31.00/1.220	29.40/1.157	29.60/1.165	XENPAK XPAK X2	SEE SHEET 7
	74441-0013	YES	PLATED PER NOTE 3	1.10/.043					
	74441-0023	YES	PLATED PER NOTE 4	1.10/.043					
	74441-0033	YES	PLATED PER NOTE 5	1.10/.043					

NOTES

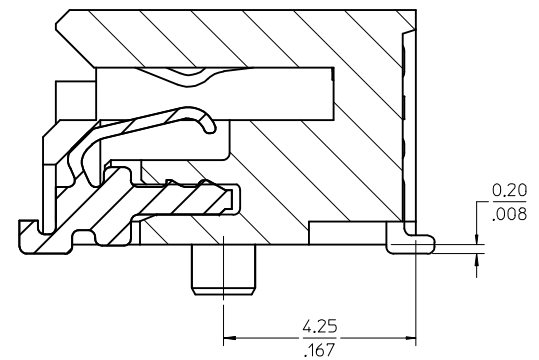
- MATERIAL:**
HOUSING - HIGH TEMPERATURE THERMOPLASTIC GLASS FILLED, UL 94V-0, BLACK
TERMINALS - COPPER ALLOY
- PLATING (SEE TABLE):**
CONTACT AREA - 0.38 MICROMETER MINIMUM GOLD OVER NICKEL
SOLDER FOOT AREA - 2.54 MICROMETER MINIMUM TIN OVER NICKEL
- PLATING (SEE TABLE):**
CONTACT AREA - 0.76 MICROMETER MINIMUM GOLD OVER NICKEL
SOLDER AREA - 2.54 MICROMETER MINIMUM TIN OVER NICKEL
- PLATING (SEE TABLE):**
CONTACT AREA - 0.76 MICROMETER MINIMUM GOLD OVER NICKEL, LUBRICATED
SOLDER AREA: GOLD FLASH OVER NICKEL
- PLATING (SEE TABLE):**
CONTACT AREA - 0.76 MICROMETER MINIMUM GOLD OVER 2.54 NICKEL
SOLDER AREA: GOLD FLASH OVER NICKEL.
- PLATING (SEE TABLE):**
CONTACT AREA - 0.38 MICROMETER MINIMUM GOLD OVER NICKEL,
SOLDER AREA: GOLD FLASH OVER NICKEL.
- SOLDER FEET COPLANAR WITHIN 0.10/0.04 FOR 20, 30 AND 40 CIRCUIT CONNECTORS,
WITHIN 0.15/0.06 FOR 50 AND 70 CIRCUIT CONNECTORS**
- * CONTACT PLANT FOR MORE INFORMATION**
- DATE CODE: 4 DIGIT (3 DIGIT DAY, 1 DIGIT YEAR)**
- THE CIRCUIT 1 INDICATOR MAY VARY IN SIZE AND APPEARANCE.**



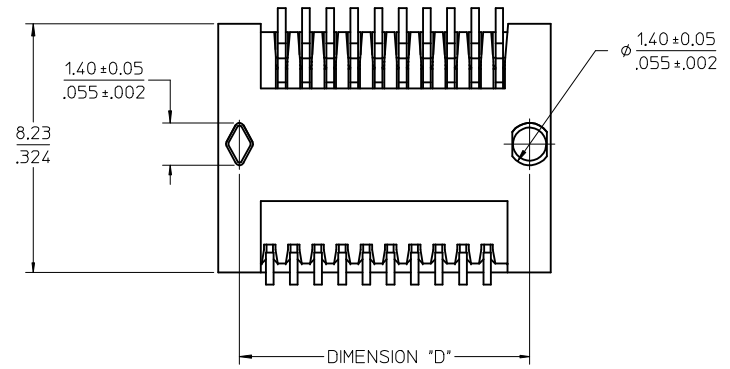
FIX SHEET 2 VIEWS EC NO: UCP2013-5005 DRWN: BARKER 2013/05/17 CHKD: MORGAN APPR: MILLER 2013/06/03	QUALITY SYMBOLS	GENERAL TOLERANCES (UNLESS SPECIFIED)	DIMENSION STYLE	SCALE	DESIGN UNITS	THIRD ANGLE PROJECTION
	▽=0	mm INCH	MM/IN	1:1	METRIC	
	▽=0	4 PLACES ± --- ± ---	DRAWN BY DATE	SALES ASSEMBLY		
	▽=0	3 PLACES ± --- ± ---	HAVERY 00/04/06	Z AXIS PLUGGABLE		
	▽=0	2 PLACES ± 0.13 ± .005	CHECKED BY DATE	PCB CONNECTOR		
	1 PLACE ± 0.25 ± .010	KSWEENEY 00/04/06	molex DOCUMENT NO. SD-74441-001 SHEET NO. 1 OF 7			
	0 PLACE ± ±	APPROVED BY DATE				
	ANGULAR ±1/2°	MBANAKIS 00/04/06	SEE TABLE			
	DRAFT WHERE APPLICABLE MUST REMAIN WITHIN DIMENSIONS	MATERIAL NO.	THIS DRAWING CONTAINS INFORMATION THAT IS PROPRIETARY TO MOLEX INCORPORATED AND SHOULD NOT BE USED WITHOUT WRITTEN PERMISSION			



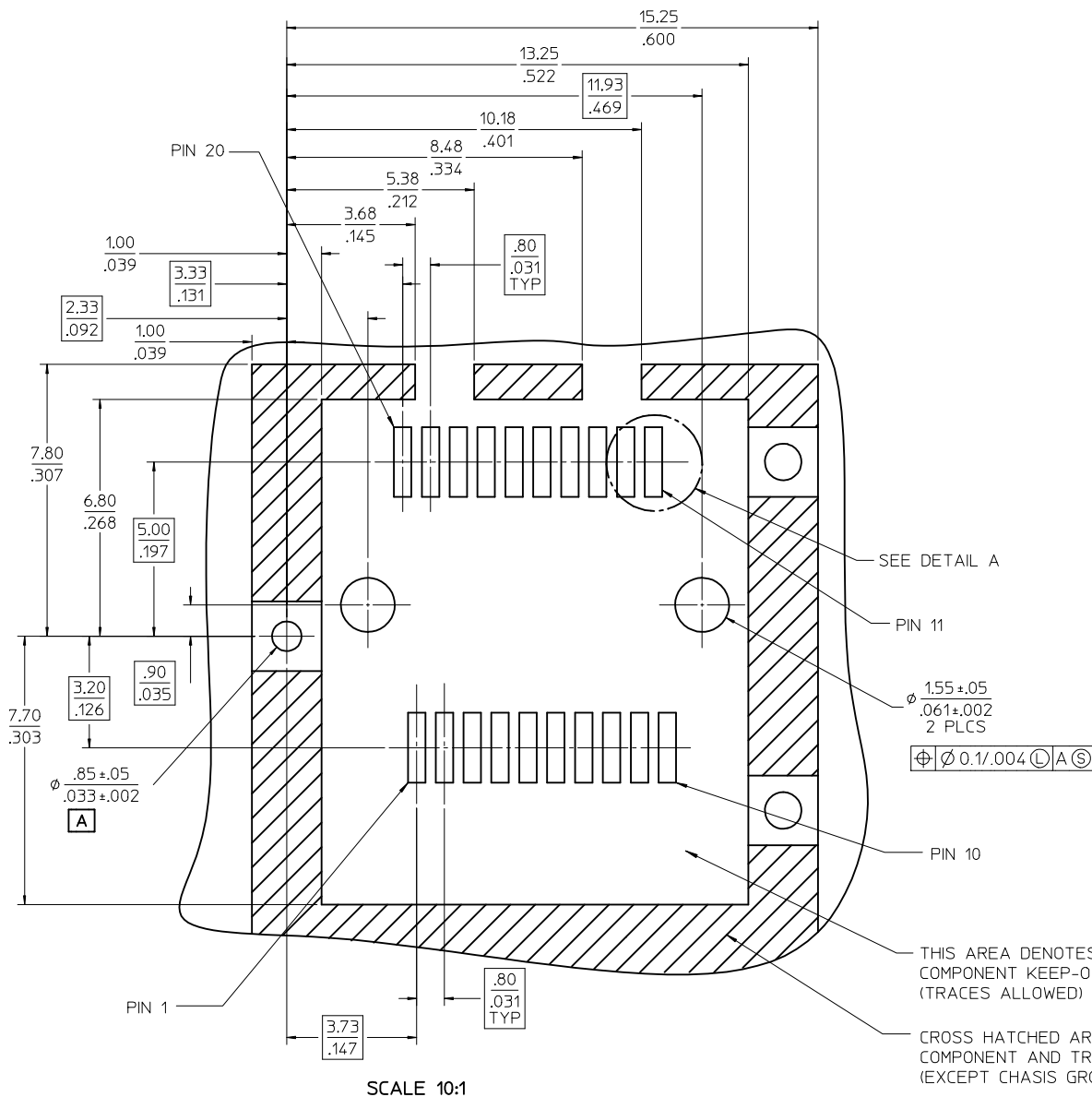
SECTION A1-A1
SCALE 12:1



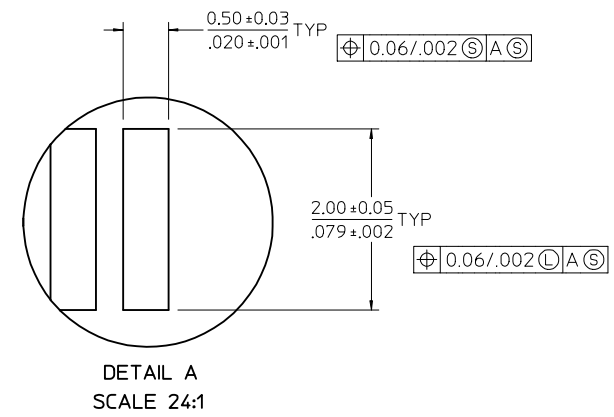
SECTION B1-B1
SCALE 12:1



SEE SHEET 1 EC NO: UCP2013-5005 DRWN: BARKER 2013/05/17 CHKD: MORGAN APPR: MILLER 2013/06/03	QUALITY SYMBOLS	GENERAL TOLERANCES (UNLESS SPECIFIED)	DIMENSION STYLE	SCALE	DESIGN UNITS	THIRD ANGLE PROJECTION
	▽=0	mm INCH	MM/IN	6:1	METRIC	
	▽=0	4 PLACES ± --- ± ---	DRAWN BY DATE	TITLE		
	▽=0	3 PLACES ± --- ± ---	CHECKED BY DATE	SALES ASSEMBLY		
	▽=0	2 PLACES ± 0.13 ± .005	APPROVED BY DATE	Z AXIS PLUGGABLE		
	1 PLACE ± 0.25 ± .010	MATERIAL NO.	PCB CONNECTOR			
	0 PLACE ± ±	SEE TBL, SHT 1	molex			
	ANGULAR ±1/2°	DOCUMENT NO.	SD-74441-001			
	DRAFT WHERE APPLICABLE MUST REMAIN WITHIN DIMENSIONS	SHEET NO.	2 OF 7			
		THIS DRAWING CONTAINS INFORMATION THAT IS PROPRIETARY TO MOLEX INCORPORATED AND SHOULD NOT BE USED WITHOUT WRITTEN PERMISSION				



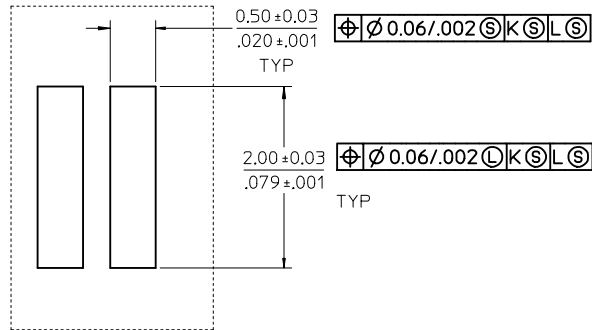
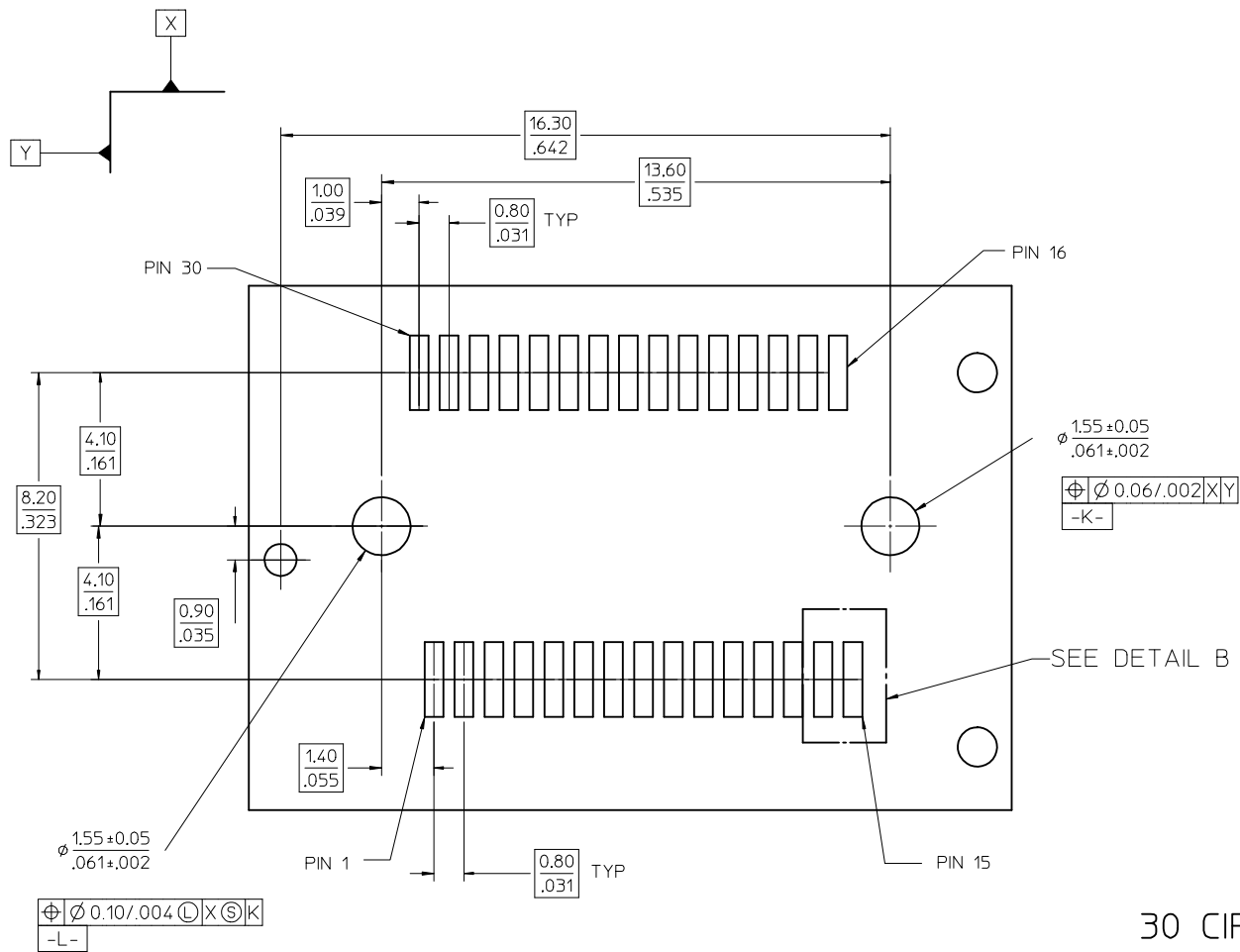
SCALE 10:1



DETAIL A
SCALE 24:1

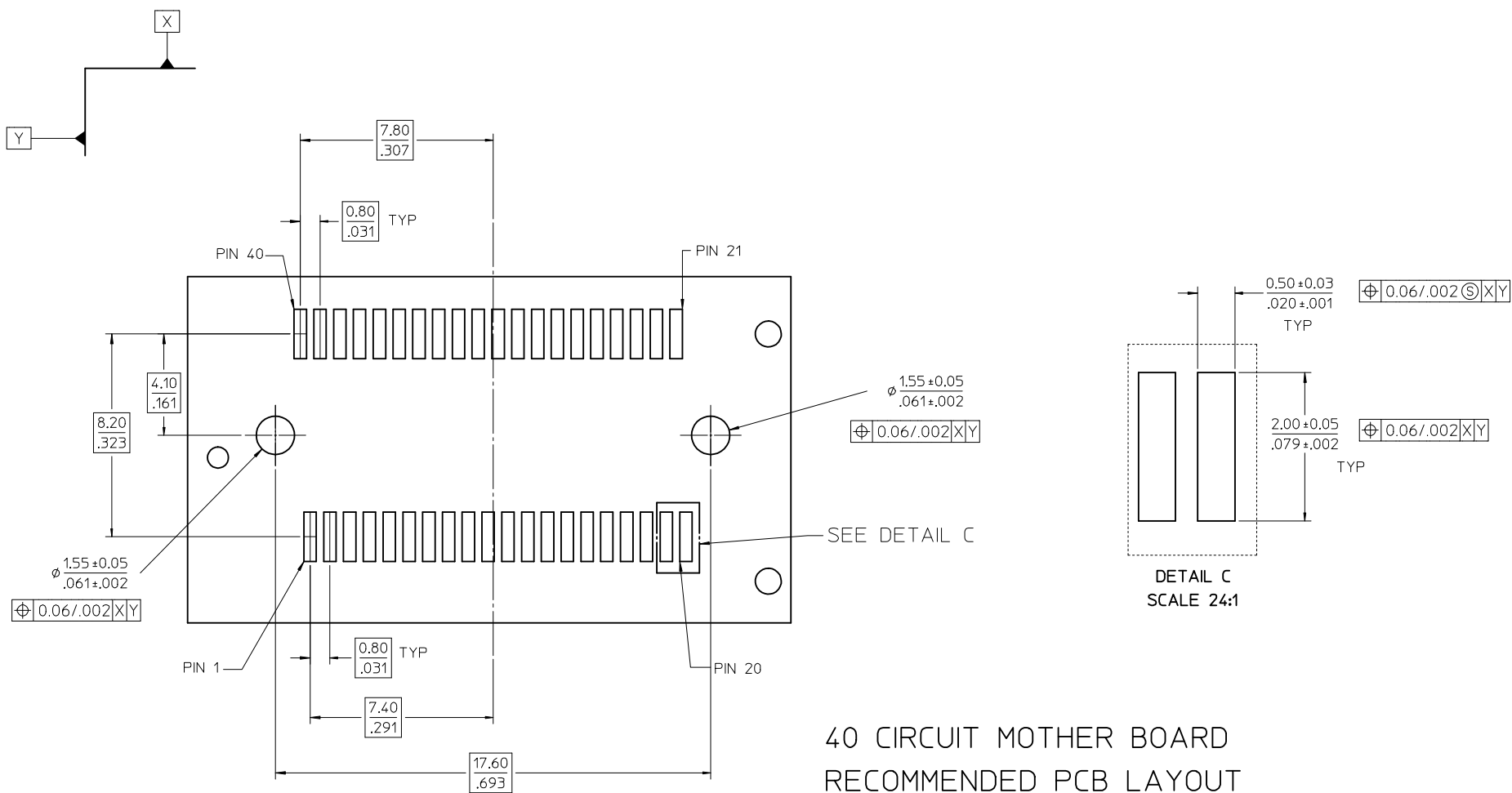
20 CIRCUIT MOTHER BOARD RECOMMENDED PCB LAYOUT

SEE SHEET 1 EC NO: UCP2013-5005 DRWN:BBARKER 2013/05/17 CHKD:DMORGAN APPR:SWILLER 2013/06/03	QUALITY SYMBOLS 	GENERAL TOLERANCES (UNLESS SPECIFIED)		DIMENSION STYLE MM/IN	SCALE 8:1	DESIGN UNITS METRIC	THIRD ANGLE PROJECTION 																										
		<table border="1"> <tr> <th></th> <th>mm</th> <th>INCH</th> </tr> <tr> <td>4 PLACES</td> <td>± .005</td> <td>± .0005</td> </tr> <tr> <td>3 PLACES</td> <td>± .005</td> <td>± .0005</td> </tr> <tr> <td>2 PLACES</td> <td>± .013</td> <td>± .005</td> </tr> <tr> <td>1 PLACE</td> <td>± .025</td> <td>± .010</td> </tr> <tr> <td>0 PLACE</td> <td>±</td> <td>±</td> </tr> </table>		mm	INCH	4 PLACES	± .005	± .0005	3 PLACES	± .005	± .0005	2 PLACES	± .013	± .005	1 PLACE	± .025	± .010	0 PLACE	±	±	<table border="1"> <tr> <th>DATE</th> <th>BY</th> </tr> <tr> <td>00/04/06</td> <td>HAVERY</td> </tr> <tr> <td>00/04/06</td> <td>KSWEENEY</td> </tr> <tr> <td>00/04/06</td> <td>MBANAKIS</td> </tr> </table>	DATE	BY	00/04/06	HAVERY	00/04/06	KSWEENEY	00/04/06	MBANAKIS	SALES ASSEMBLY Z AXIS PLUGGABLE PCB CONNECTOR 			
		mm	INCH																														
	4 PLACES	± .005	± .0005																														
3 PLACES	± .005	± .0005																															
2 PLACES	± .013	± .005																															
1 PLACE	± .025	± .010																															
0 PLACE	±	±																															
DATE	BY																																
00/04/06	HAVERY																																
00/04/06	KSWEENEY																																
00/04/06	MBANAKIS																																
ANGULAR ±1/2° DRAFT WHERE APPLICABLE MUST REMAIN WITHIN DIMENSIONS	MATERIAL NO. SEE TBL, SHT 1	DOCUMENT NO. SD-74441-001	SHEET NO. 3 OF 7																														
THIS DRAWING CONTAINS INFORMATION THAT IS PROPRIETARY TO MOLEX INCORPORATED AND SHOULD NOT BE USED WITHOUT WRITTEN PERMISSION																																	



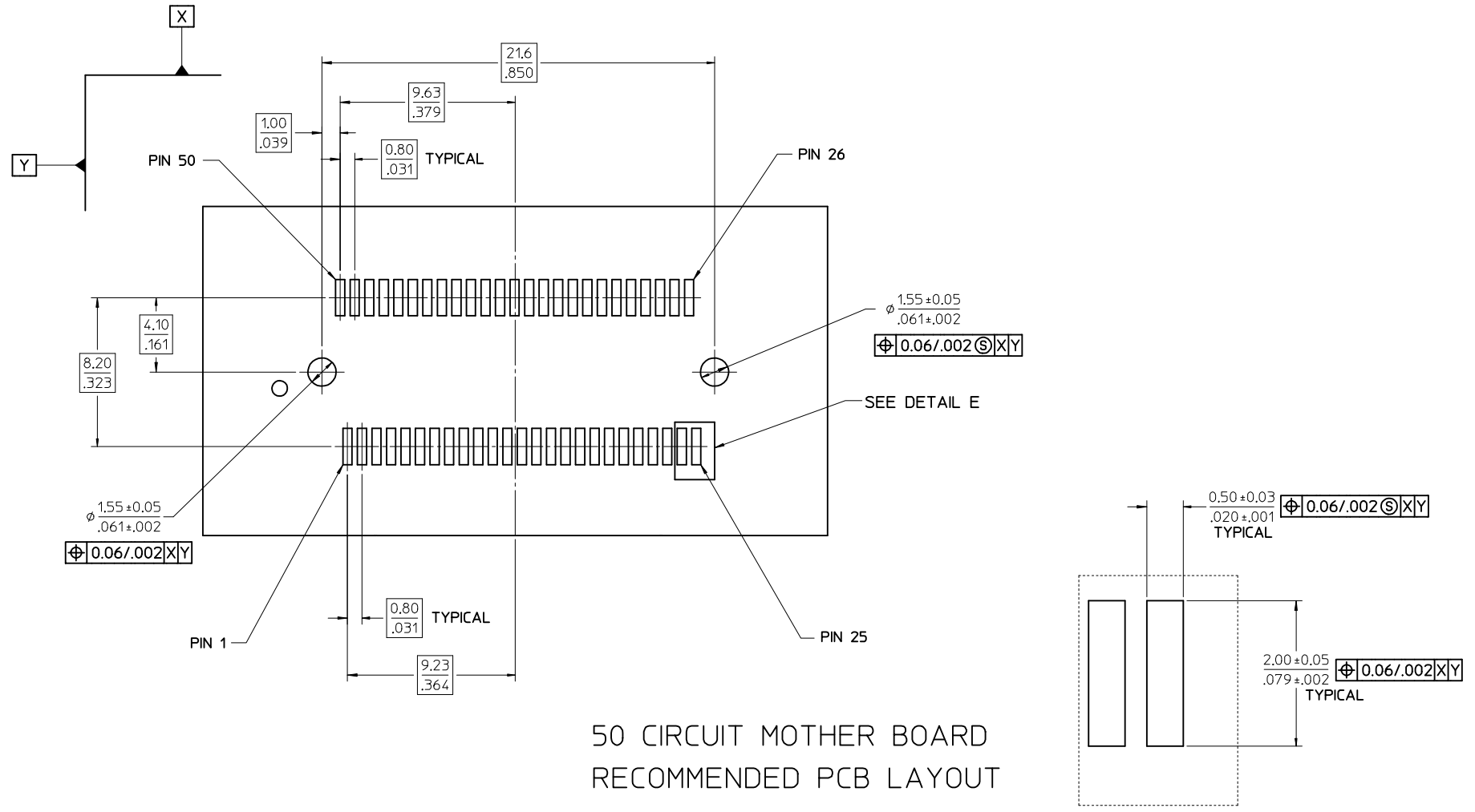
30 CIRCUIT MOTHER BOARD
RECOMMENDED PCB LAYOUT

SEE SHEET 1 EC NO: UCP2013-5005 DRWN:BBARKER 2013/05/17 CHYK:DMORGAN APPR:SMILLER 2013/06/03	QUALITY SYMBOLS	GENERAL TOLERANCES (UNLESS SPECIFIED)		DIMENSION STYLE		SCALE	DESIGN UNITS	THIRD ANGLE PROJECTION	
	▽=0	mm	INCH	MM/IN		6:1	METRIC	SALES ASSEMBLY	
	▽=0	4 PLACES ± --- ± ---	3 PLACES ± --- ± ---	DRAWN BY	DATE	TITLE			
	▽=0	2 PLACES ± 0.13 ± .005	1 PLACE ± 0.25 ± .010	0 PLACE ± ±	HAVERY	00/04/06	Z AXIS PLUGGABLE PCB CONNECTOR		
REV	DESCRIPTION	ANGULAR ±1/2°		MATERIAL NO.		DOCUMENT NO.		SHEET NO.	
V		DRAFT WHERE APPLICABLE MUST REMAIN WITHIN DIMENSIONS		SEE TBL, SHT 1		SD-74441-001		4 OF 7	
THIS DRAWING CONTAINS INFORMATION THAT IS PROPRIETARY TO MOLEX INCORPORATED AND SHOULD NOT BE USED WITHOUT WRITTEN PERMISSION									

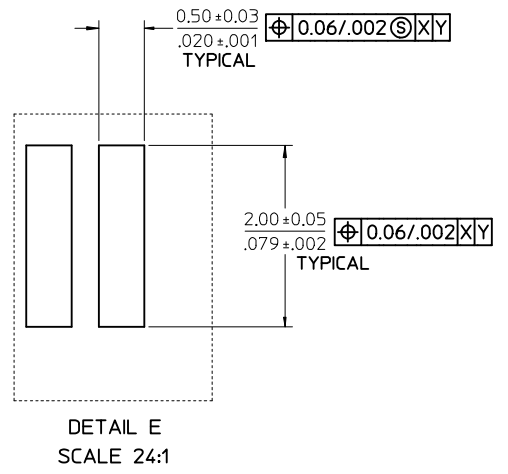


40 CIRCUIT MOTHER BOARD
RECOMMENDED PCB LAYOUT

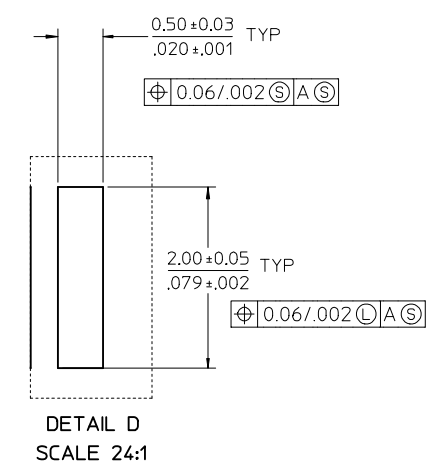
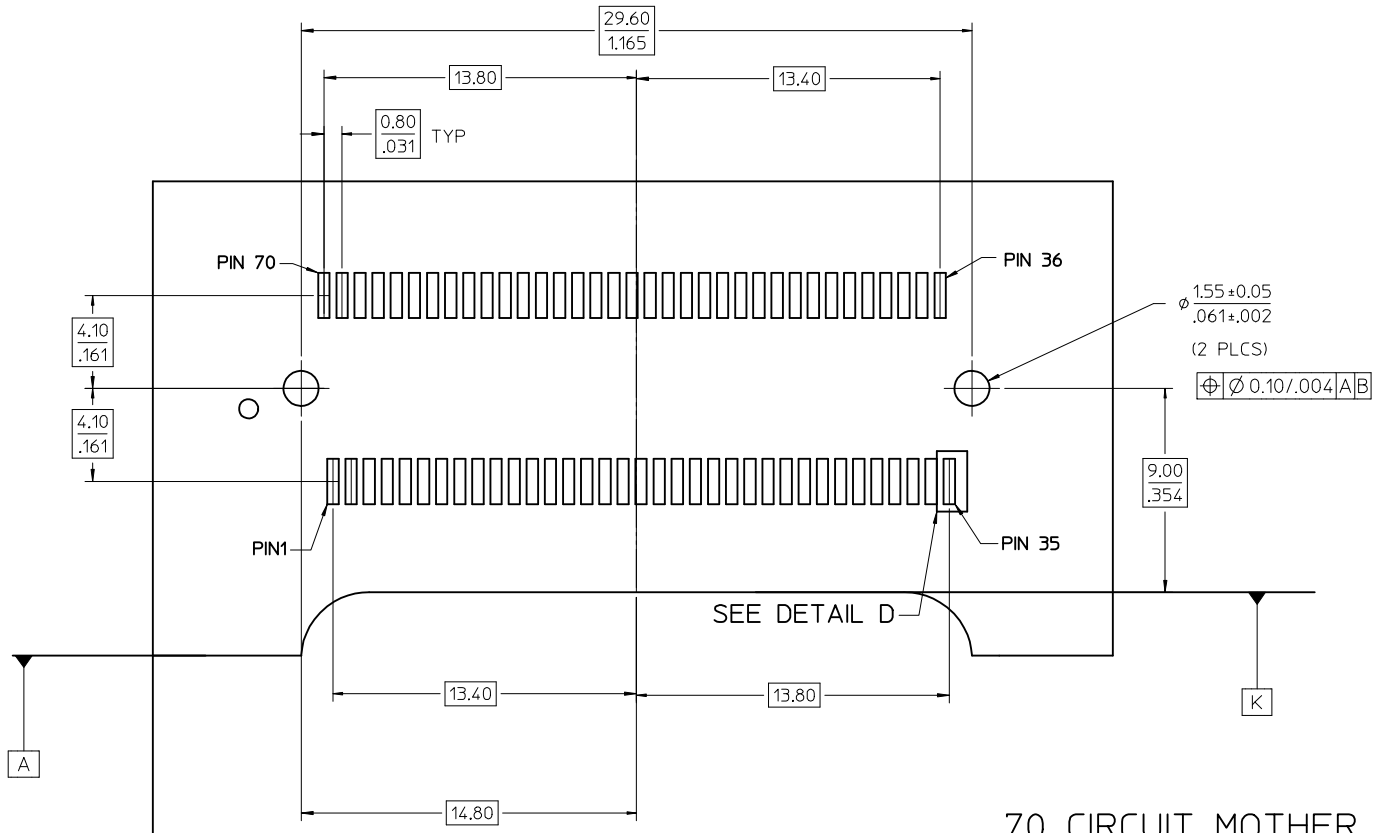
SEE SHEET 1 EC NO: UCP2013-5005 DRWN:BBARKER 2013/05/17 CHKD:MORGAN APPR:SMILLER 2013/06/03	QUALITY SYMBOLS ▽=0 ▽=0 ▽=0	GENERAL TOLERANCES (UNLESS SPECIFIED) <table border="1"> <thead> <tr> <th></th> <th>mm</th> <th>INCH</th> </tr> </thead> <tbody> <tr> <td>4 PLACES</td> <td>± .---</td> <td>± .---</td> </tr> <tr> <td>3 PLACES</td> <td>± .---</td> <td>± .---</td> </tr> <tr> <td>2 PLACES</td> <td>± 0.13</td> <td>± .005</td> </tr> <tr> <td>1 PLACE</td> <td>± 0.25</td> <td>± .010</td> </tr> <tr> <td>0 PLACE</td> <td>±</td> <td>±</td> </tr> </tbody> </table>		mm	INCH	4 PLACES	± .---	± .---	3 PLACES	± .---	± .---	2 PLACES	± 0.13	± .005	1 PLACE	± 0.25	± .010	0 PLACE	±	±	DIMENSION STYLE MM/IN DRAWN BY: HAVERY DATE: 00/04/06 CHECKED BY: KSWEENEY DATE: 00/04/06 APPROVED BY: MBANAKIS DATE: 00/04/06	SCALE 6:1 DESIGN UNITS METRIC THIRD ANGLE PROJECTION	TITLE SALES ASSEMBLY Z AXIS PLUGGABLE PCB CONNECTOR molex
		mm	INCH																				
	4 PLACES	± .---	± .---																				
	3 PLACES	± .---	± .---																				
2 PLACES	± 0.13	± .005																					
1 PLACE	± 0.25	± .010																					
0 PLACE	±	±																					
MATERIAL NO. SEE TBL, SHT 1	DOCUMENT NO. SD-74441-001	SHEET NO. 5 OF 7																					
DRAFT WHERE APPLICABLE MUST REMAIN WITHIN DIMENSIONS			THIS DRAWING CONTAINS INFORMATION THAT IS PROPRIETARY TO MOLEX INCORPORATED AND SHOULD NOT BE USED WITHOUT WRITTEN PERMISSION																				



50 CIRCUIT MOTHER BOARD
RECOMMENDED PCB LAYOUT



SEE SHEET 1 IEC NO: UCP2013-5005 DRWN:BBARKER 2013/05/17 CHKD:JMORGAN APPR:SMILLER 2013/06/03 REV V	QUALITY SYMBOLS ▽=0 ▽=0 ▽=0	GENERAL TOLERANCES (UNLESS SPECIFIED) <table border="1"> <tr> <th></th> <th>mm</th> <th>INCH</th> </tr> <tr> <td>4 PLACES</td> <td>± .005</td> <td>± .0005</td> </tr> <tr> <td>3 PLACES</td> <td>± .010</td> <td>± .0010</td> </tr> <tr> <td>2 PLACES</td> <td>± 0.13</td> <td>± .005</td> </tr> <tr> <td>1 PLACE</td> <td>± 0.25</td> <td>± .010</td> </tr> <tr> <td>0 PLACE</td> <td>±</td> <td>±</td> </tr> </table>		mm	INCH	4 PLACES	± .005	± .0005	3 PLACES	± .010	± .0010	2 PLACES	± 0.13	± .005	1 PLACE	± 0.25	± .010	0 PLACE	±	±	DIMENSION STYLE MM/IN DRAWN BY DATE HAVERY 00/04/06 CHECKED BY DATE KSWEENEY 00/04/06 APPROVED BY DATE MBANAKIS 00/04/06	SCALE 6:1	DESIGN UNITS METRIC	THIRD ANGLE PROJECTION
		mm	INCH																					
	4 PLACES	± .005	± .0005																					
	3 PLACES	± .010	± .0010																					
2 PLACES	± 0.13	± .005																						
1 PLACE	± 0.25	± .010																						
0 PLACE	±	±																						
DRAFT WHERE APPLICABLE MUST REMAIN WITHIN DIMENSIONS		MATERIAL NO. SEE TBL, SHT 1	DOCUMENT NO. SD-74441-001	SALES ASSEMBLY Z AXIS PLUGGABLE PCB CONNECTOR molex																				
		ANGULAR ±1/2°	THIS DRAWING CONTAINS INFORMATION THAT IS PROPRIETARY TO MOLEX INCORPORATED AND SHOULD NOT BE USED WITHOUT WRITTEN PERMISSION																					
			SIZE C	SHEET NO. 6 OF 7																				



70 CIRCUIT MOTHER BOARD
RECOMMENDED PCB LAYOUT

SEE SHEET 1 EC NO: UCP2013-5005 DRWN:BBARKER 2013/05/17 CHKD:DMORGAN APPR:SMILLER 2013/06/03	QUALITY SYMBOLS	GENERAL TOLERANCES (UNLESS SPECIFIED)	DIMENSION STYLE	SCALE	DESIGN UNITS	THIRD ANGLE PROJECTION
	▽=0	mm INCH	MM/IN	6:1	METRIC	☉
	▽=0	4 PLACES ± --- ± ---	DRAWN BY DATE	TITLE		
	▽=0	3 PLACES ± --- ± ---	HAVERY 00/04/06	SALES ASSEMBLY Z AXIS PLUGGABLE PCB CONNECTOR		
▽=0	2 PLACES ± 0.13 ± .005	CHECKED BY DATE	DOCUMENT NO.			
	1 PLACE ± 0.25 ± .010	KSWEENEY 00/04/06	SD-74441-001			
	0 PLACE ± ±	APPROVED BY DATE	SHEET NO.			
	ANGULAR ±1/2°	MBANAKIS 00/04/06	7 OF 7			
	DRAFT WHERE APPLICABLE MUST REMAIN WITHIN DIMENSIONS	MATERIAL NO.	THIS DRAWING CONTAINS INFORMATION THAT IS PROPRIETARY TO MOLEX INCORPORATED AND SHOULD NOT BE USED WITHOUT WRITTEN PERMISSION			
		SEE TBL, SHT 1				