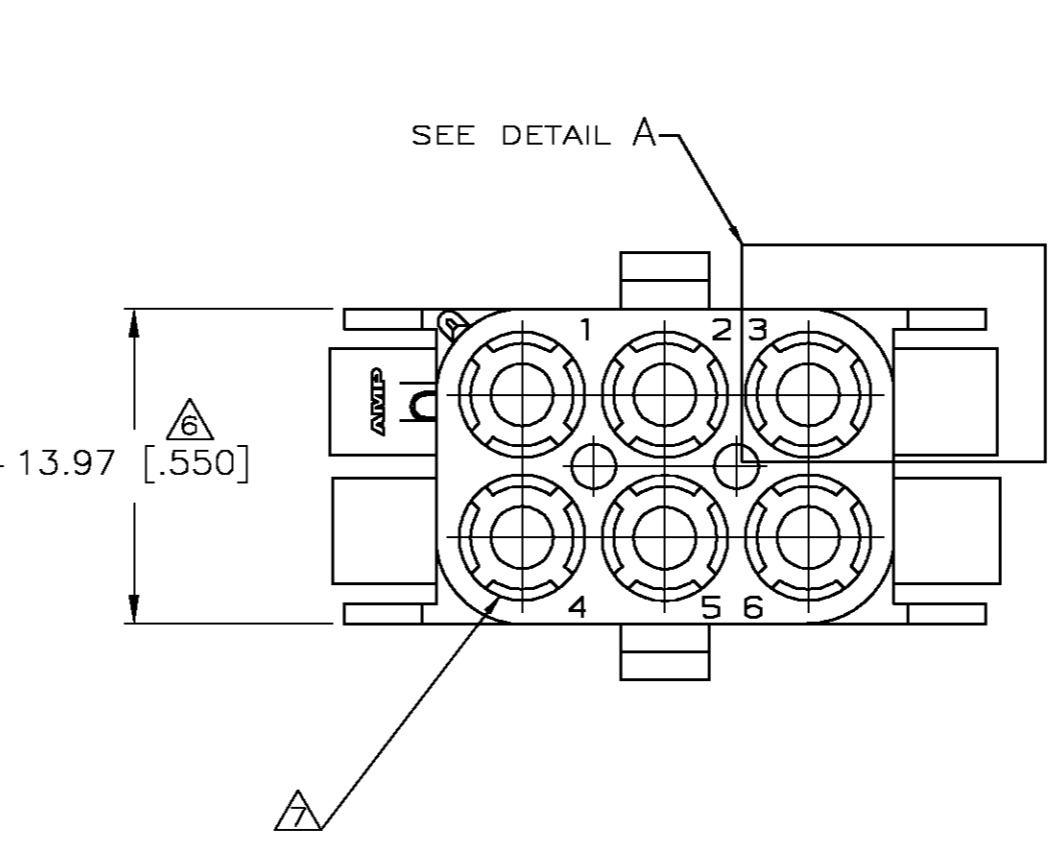
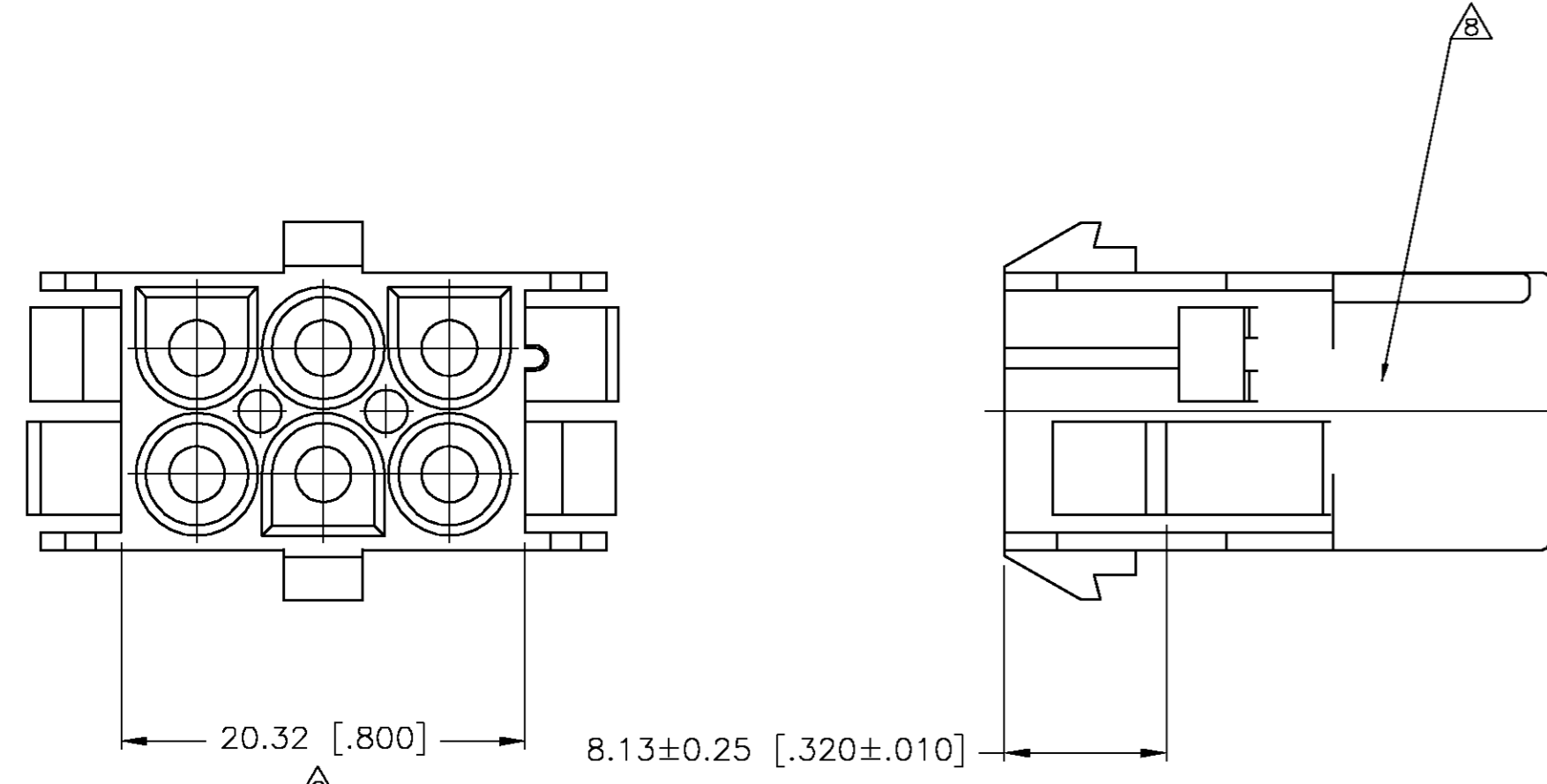
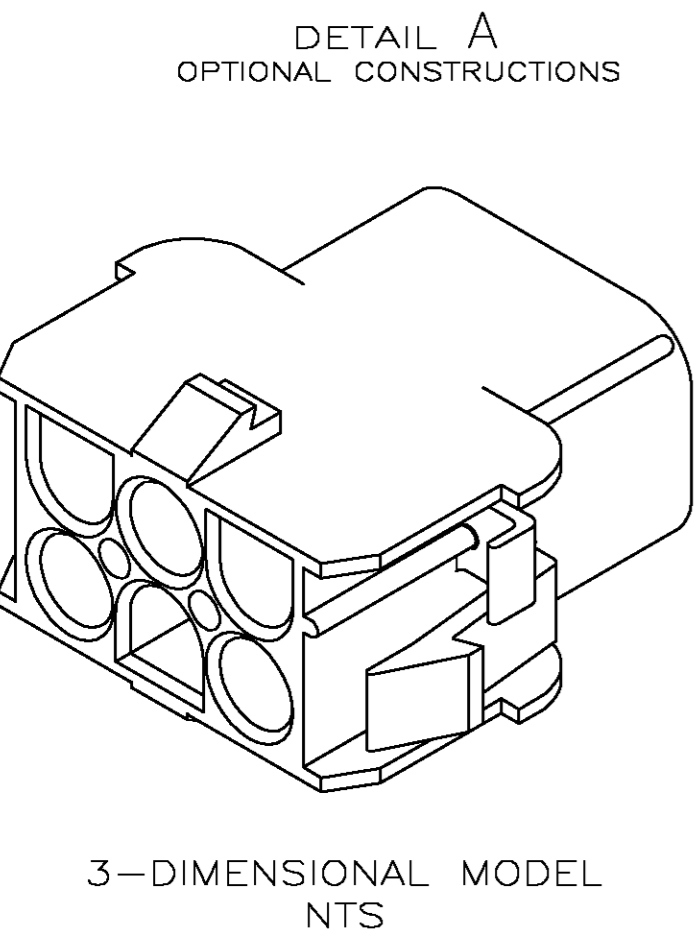
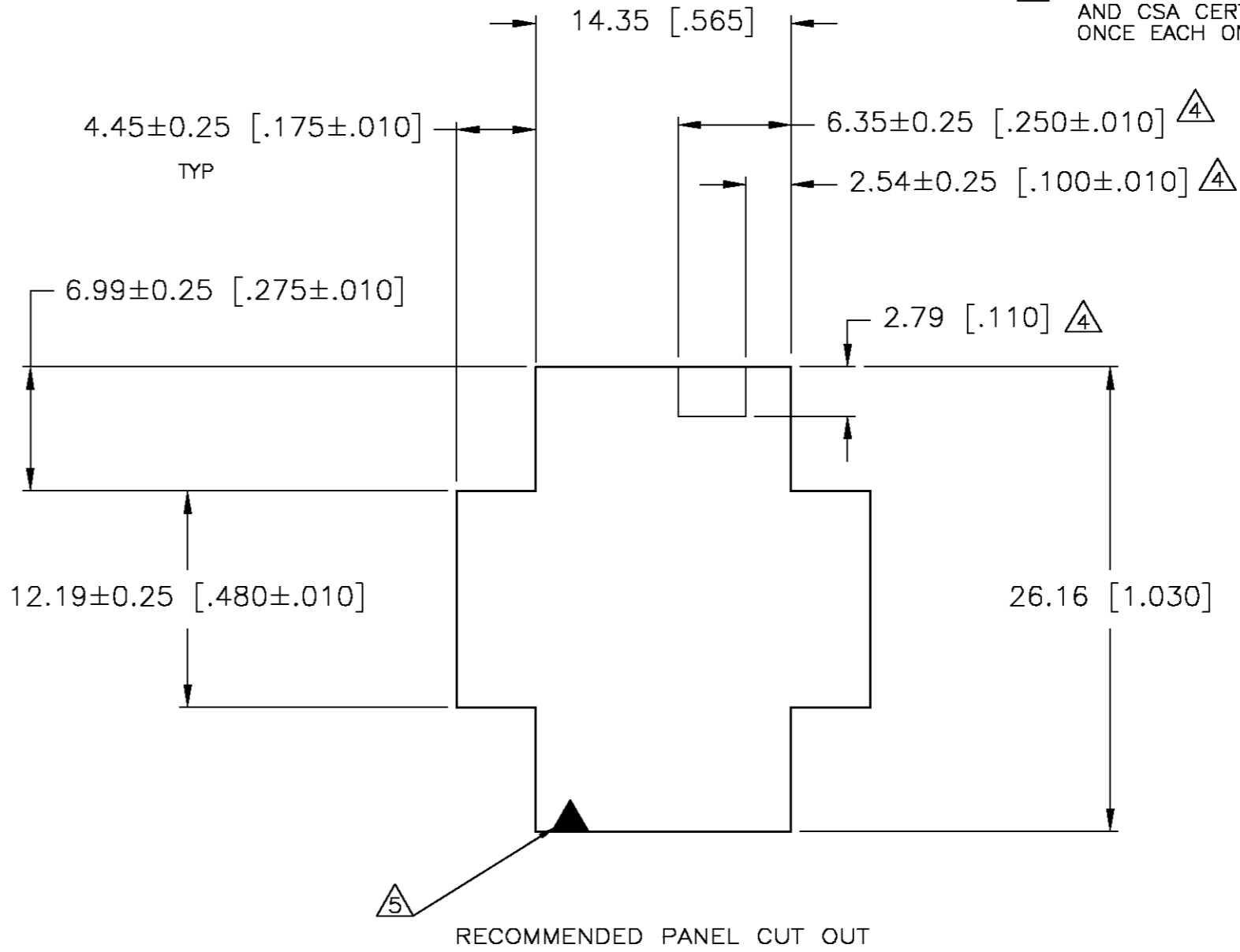
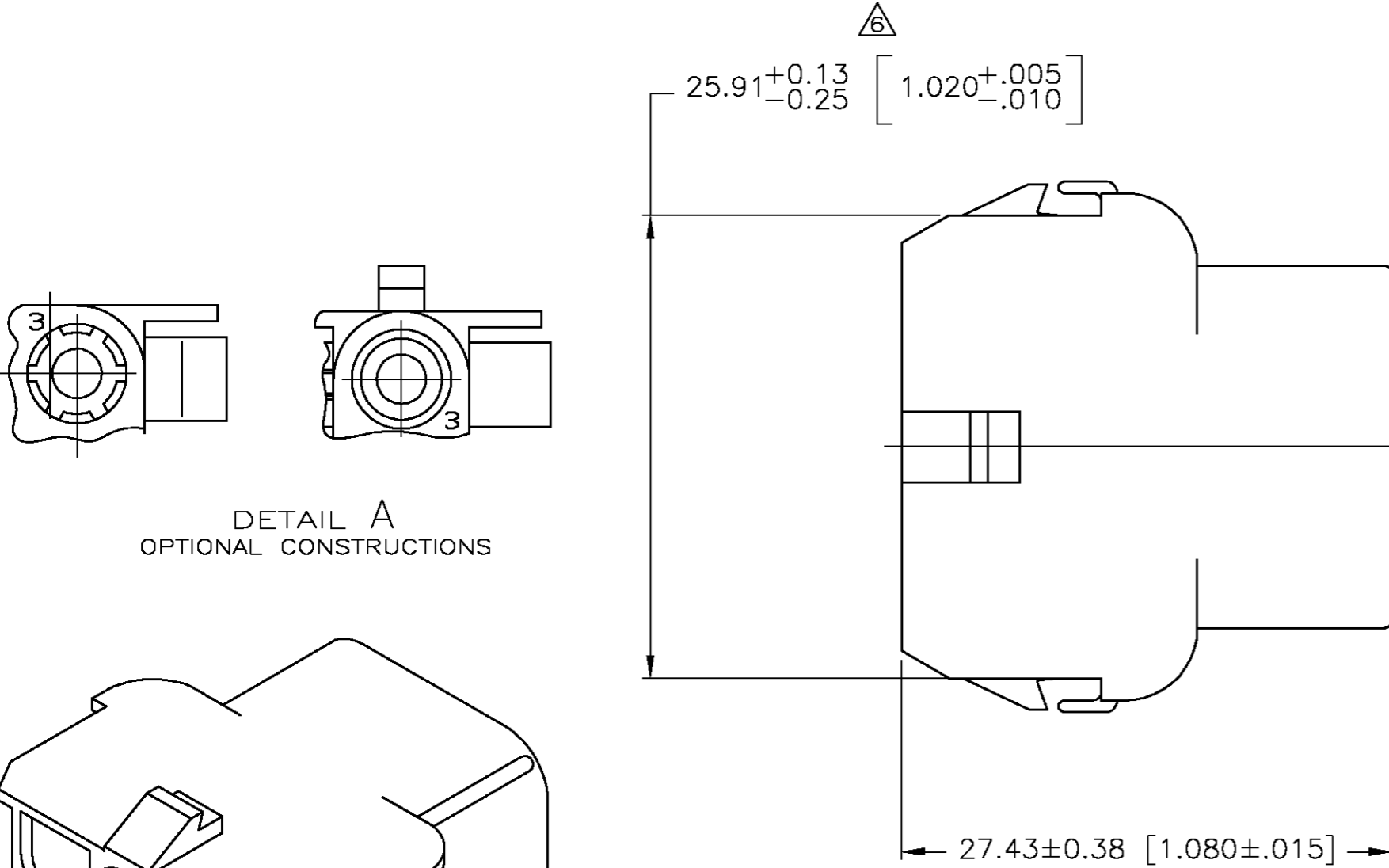


THIS DRAWING IS UNPUBLISHED. RELEASED FOR PUBLICATION
 © COPYRIGHT BY TYCO ELECTRONICS CORPORATION. ALL RIGHTS RESERVED.

LOC	DIST	REVISIONS			
P	LTR	DESCRIPTION	DATE	DWN	APVD
0		REVISED PER 0G3B-0992-03	05-MAR-04	SH	SR



- MATES WITH APPROPRIATE UNIVERSAL MATE-N-LOK™ PLUG.
 - RECOMMENDED PANEL THICKNESS 0.76 - 2.29.
 - PANEL MUST BE PUNCHED SO THAT THE HOUSING ENTERS THE PANEL IN THE SAME DIRECTION AS THE PUNCH.
- △ OPTIONAL FOR KEYING HOUSING IN PANEL.
 - △ CIRCUIT NUMBER 1 LOCATION.
 - △ DIMENSION INDICATED IS AS MOLDED. ADDITIONAL GROWTH DUE TO SUBSEQUENT MOISTURE ABSORPTION MAY OCCUR.
 - △ FOUR RIBS EQUALLY SPACED, NO SPECIFIC ORIENTATION. NO RIBS OR SIX RIBS EQUALLY SPACED, NO SPECIFIC ORIENTATION, OPTIONAL.
 - △ UNDERWRITERS RECOGNIZED COMPONENT LOGO AND CSA CERTIFICATION LOGO TO BE LOCATED ONCE EACH ON SIDE OF HOUSING.



BLACK	1586380-1
COLOR	PART NUMBER

THIS DRAWING IS A CONTROLLED DOCUMENT.		DWN S. HOOVER 05-MAR-2004	Tyco Electronics Corporation Harrisburg, Pa 17105-3608	
DIMENSIONS: mm [INCHES]		CHK S. RIDGILL 05-MAR-2004	NAME	
TOLERANCES UNLESS OTHERWISE SPECIFIED:		APVD S. RIDGILL 05-MAR-2004	CAP, 6 CIRCUIT, UV RESISTANT UNIVERSAL MATE-N-LOK™	
0 PLC ±		PRODUCT SPEC	APPLICATION SPEC	
1 PLC ±		WEIGHT	RESTRICTED TO	
2 PLC ±		CUSTOMER DRAWING	SCALE	SHEET
3 PLC ± 0.13 [0.005]			3:1	1 OF 1
4 PLC ±				REV 0
ANGLES ±				
FINISH				
MATERIAL NYLON, UL 94V-2				

METRIC