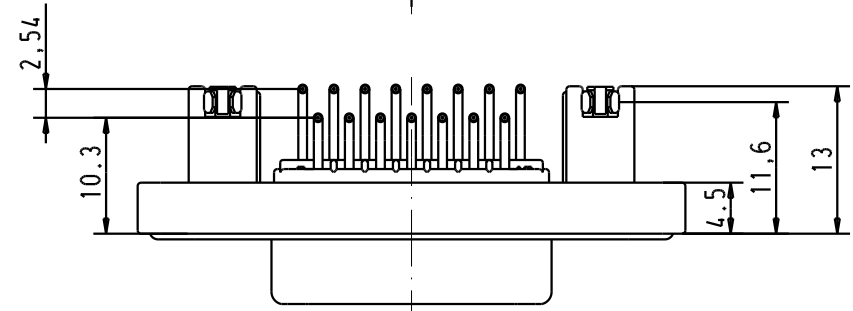
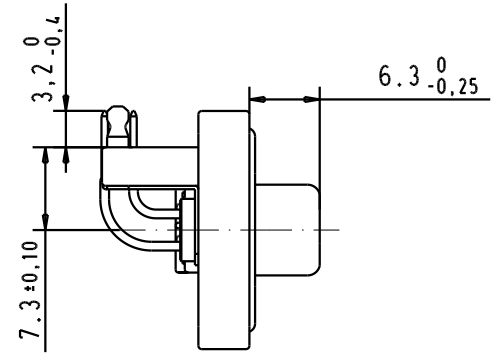
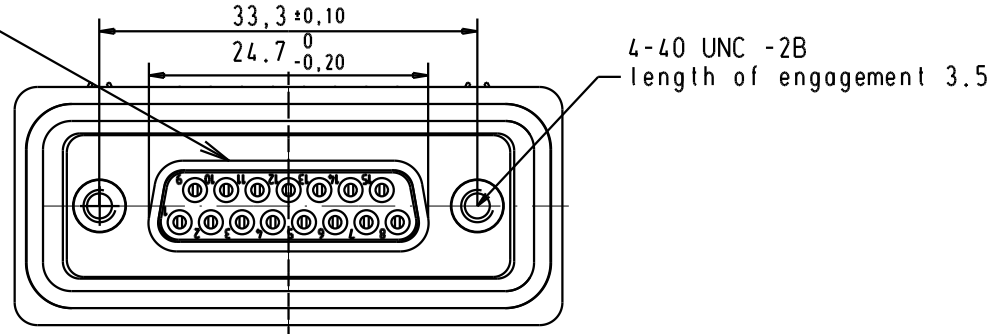


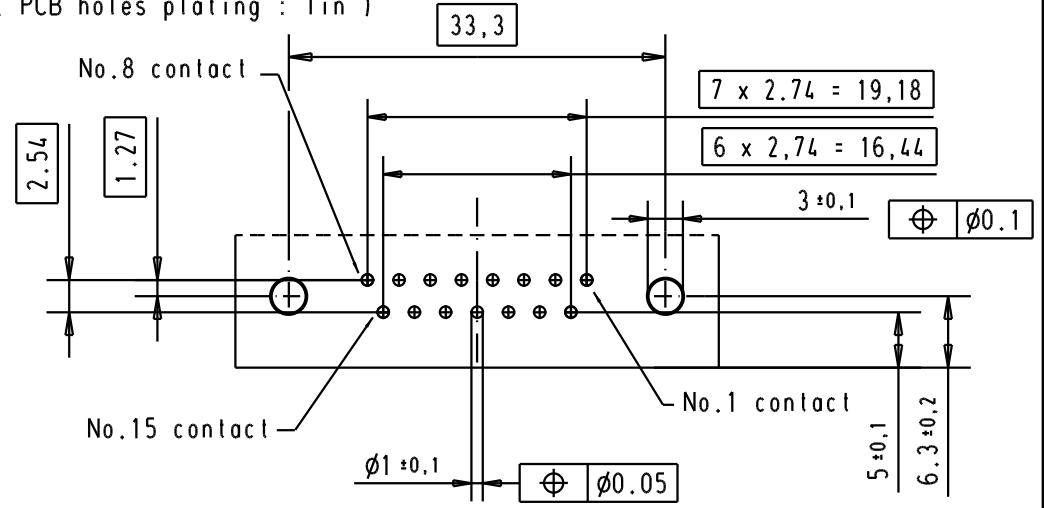
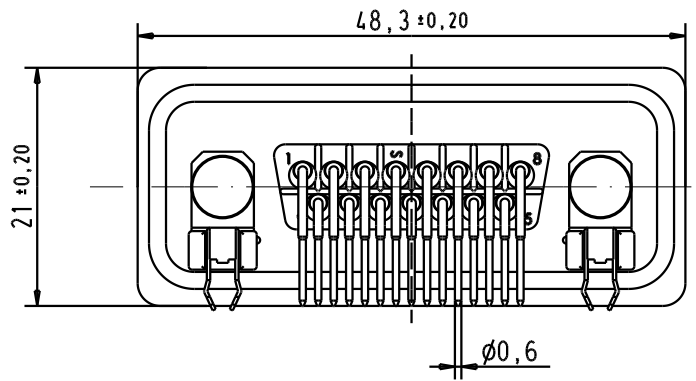
5 4 3 2 1

Mating face according to : MIL-C-24308 / DIN 41652 / CECC 75.01-802



1) Protection standard IP 67 according to IEC 529 / DIN 40050.

PCB layout hole component side
(PCB holes plating : Tin)



D

C

B

A

09 67 515 6758	Au plating 0,76 µm mini
Part Number	Performance Level

			Dat.	Name	<p>All Dim. in mm Orig. Size DIN A 4</p>	
			Detail.	20/01/04		S.H.
			Insp.			
			Stand.			
31587	20/01/04	S.H.	HARTING ELEKTRONIK F-95972 Paris			
Mod.	Dat.	Name				

D-SUB IP67 female 15 Poles angled solder pin with bracket and clip for 1.6mm PCB 4-40 UNC nut		Maßstab/ Scale
TB 09 67 515 6758		Blatt/ Page
Sub.		/