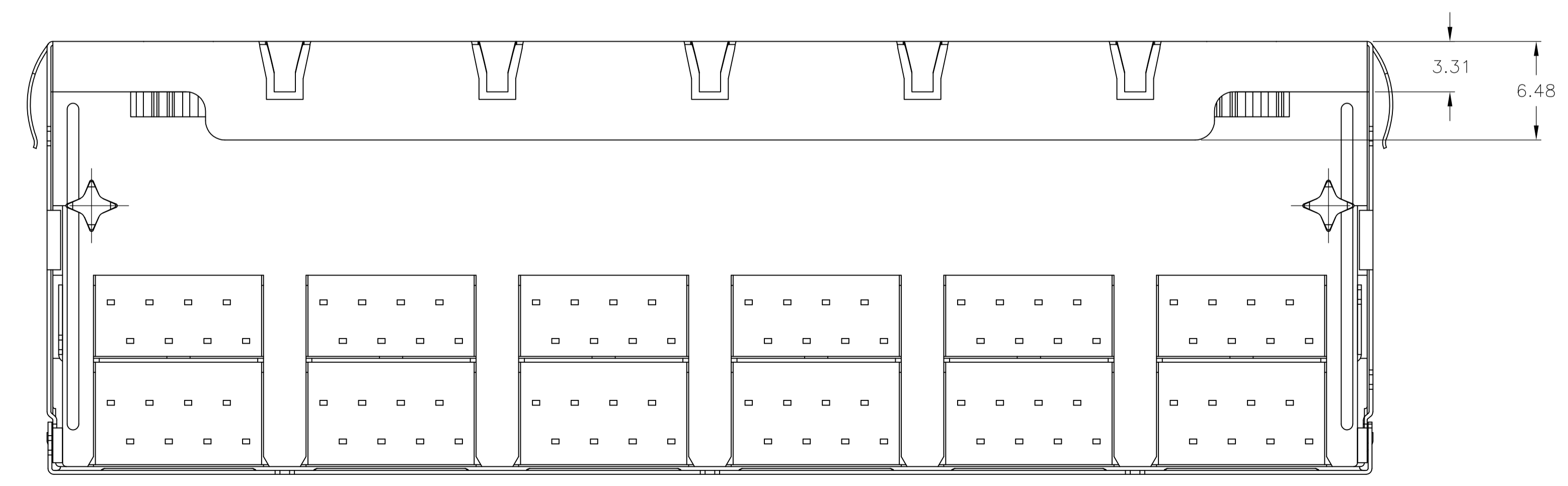
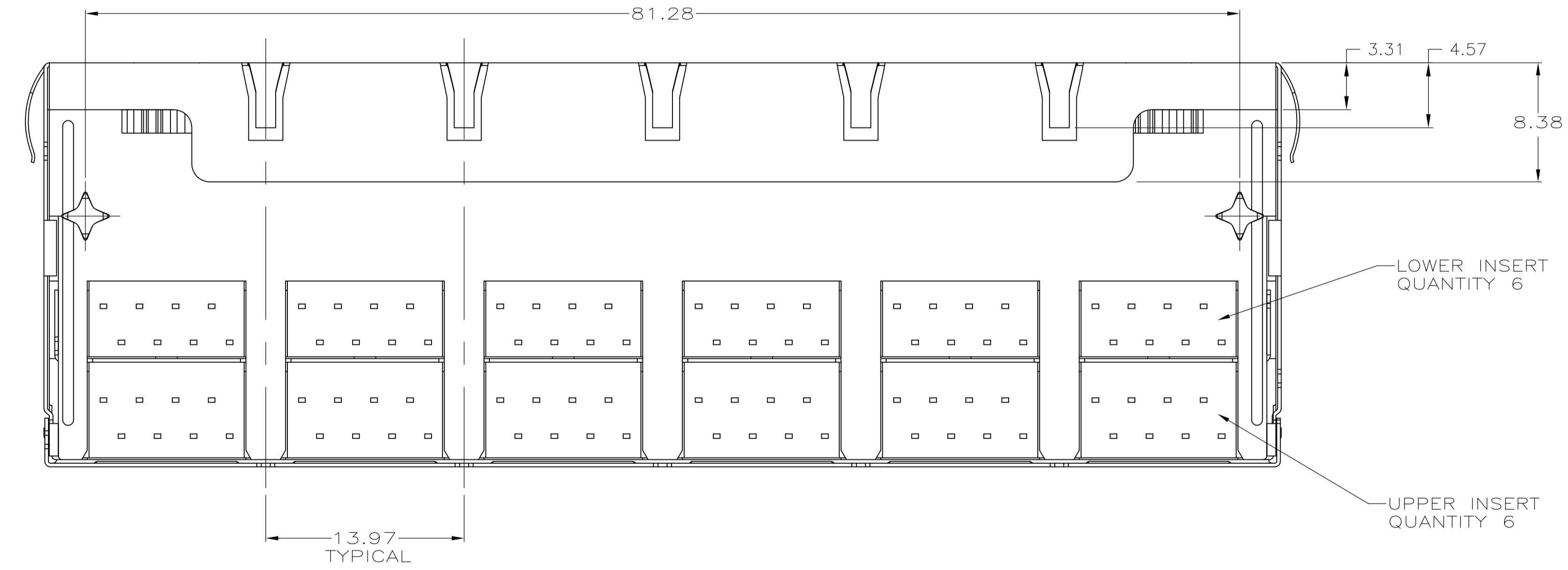
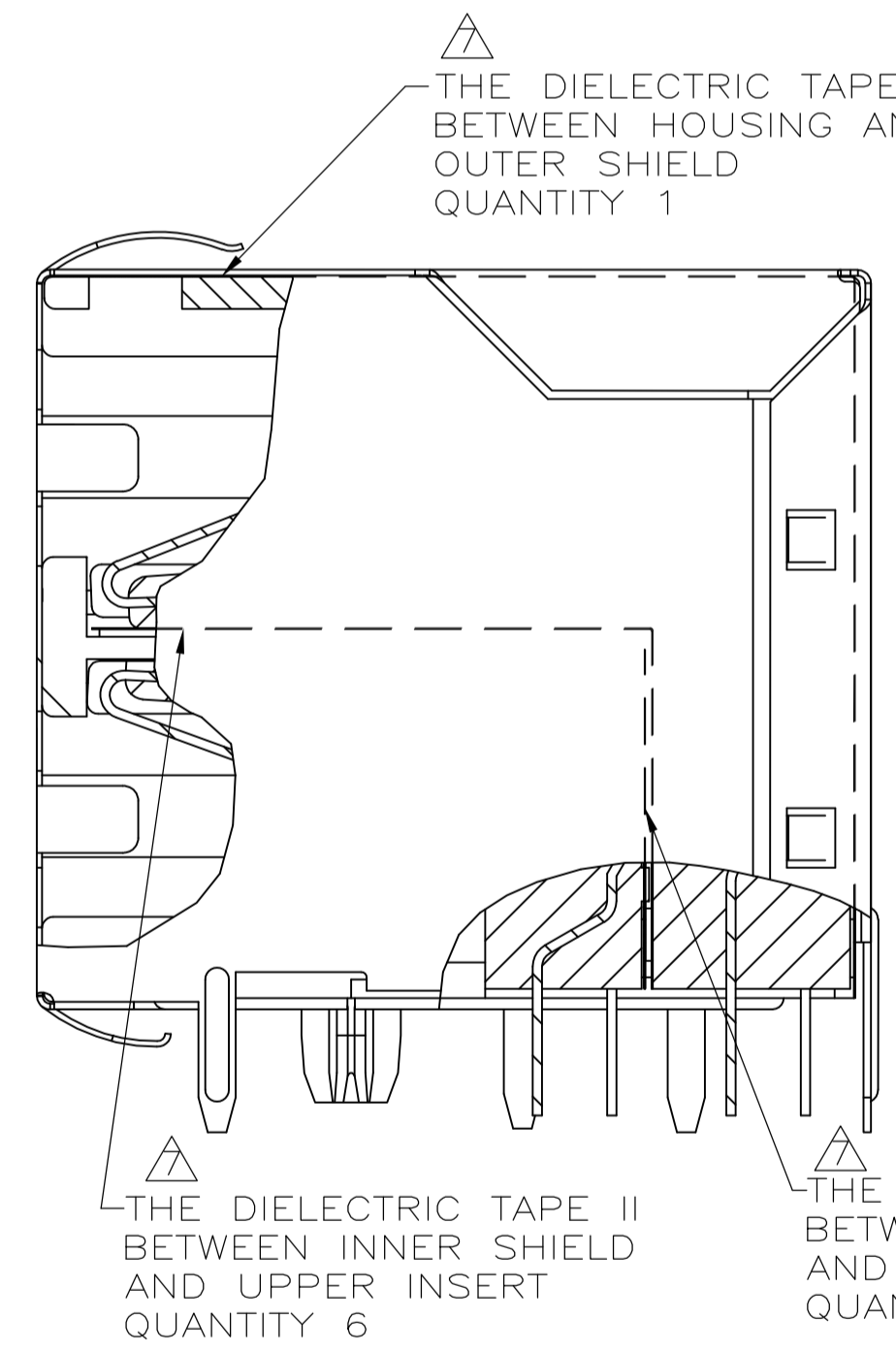
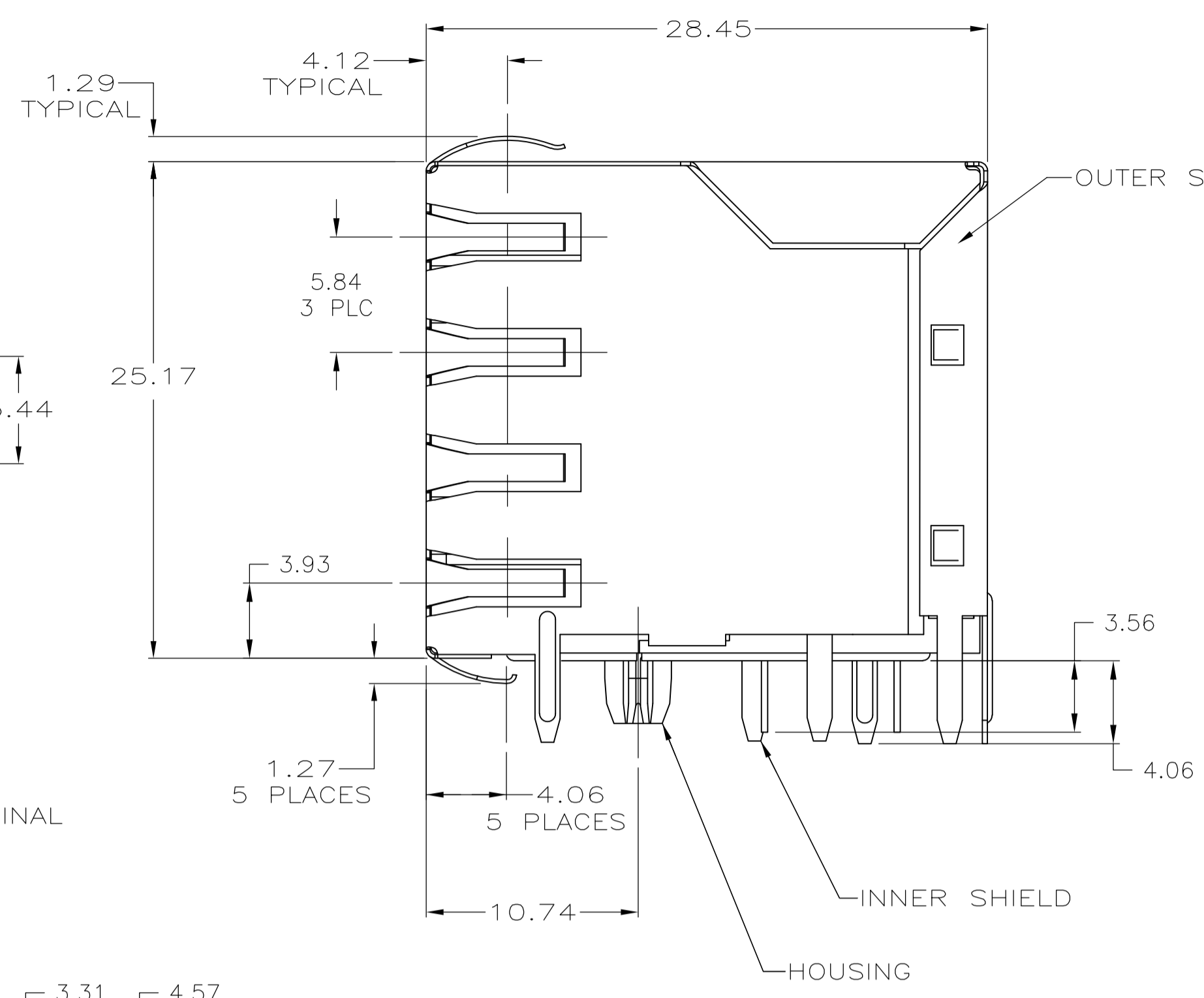


PN 6116000-2 & -3 SHOWN

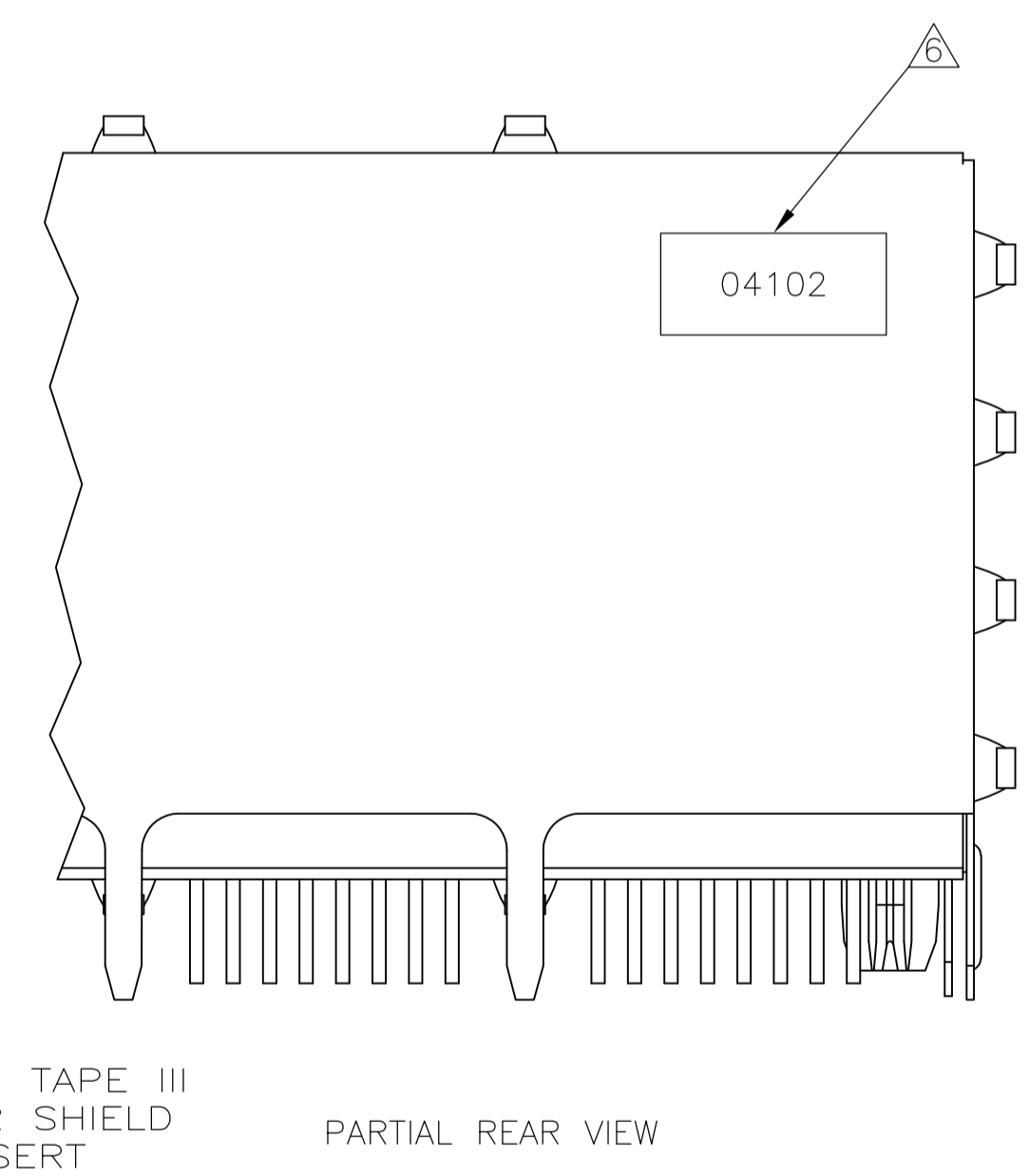


PN 6116000-1 & -4 SHOWN
 (WITH SHORT BOTTOM PANEL GROUND TABS AND 3 REAR TABS)



SECTION VIEW ONLY FOR PN 6116000-4

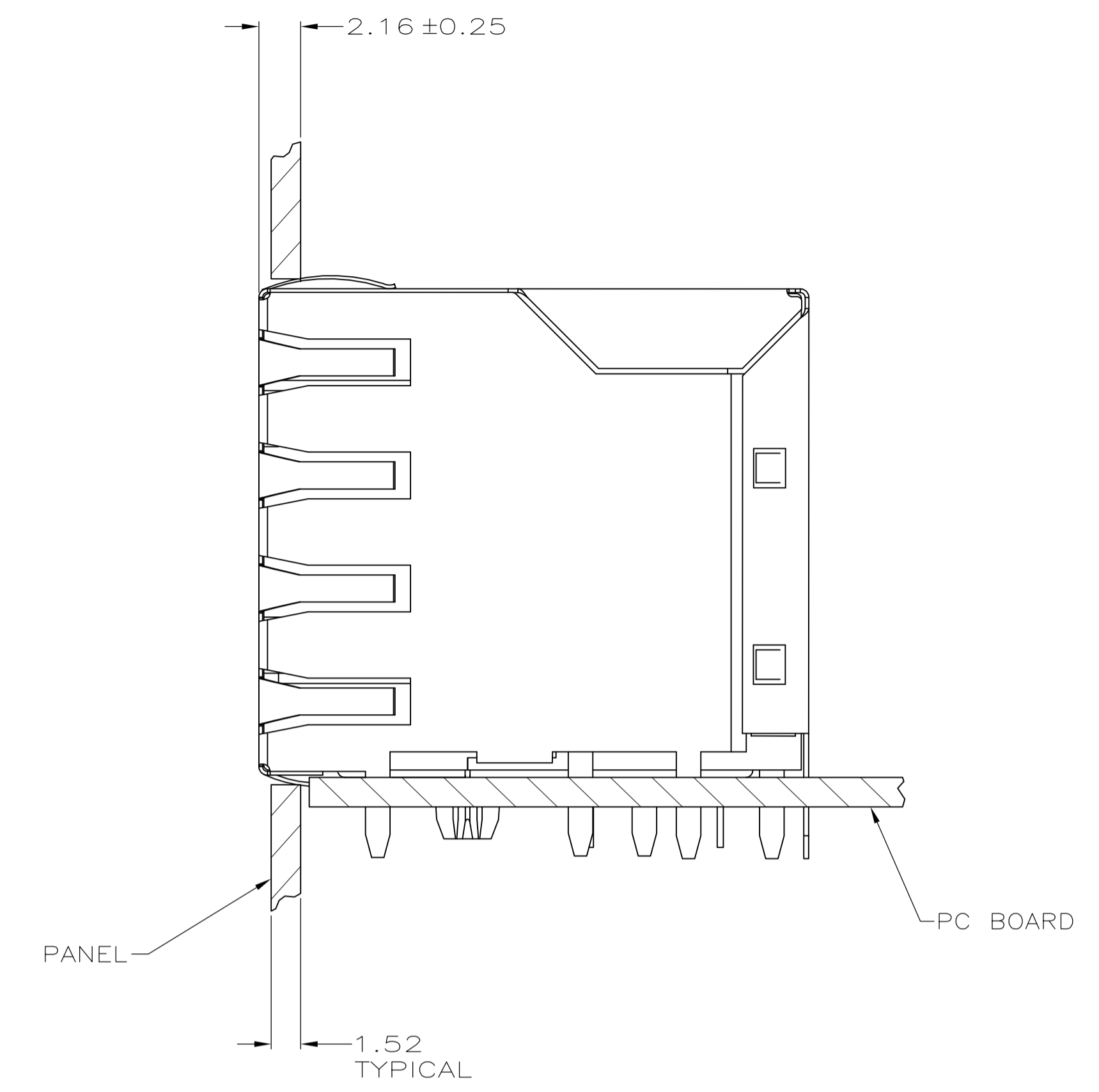
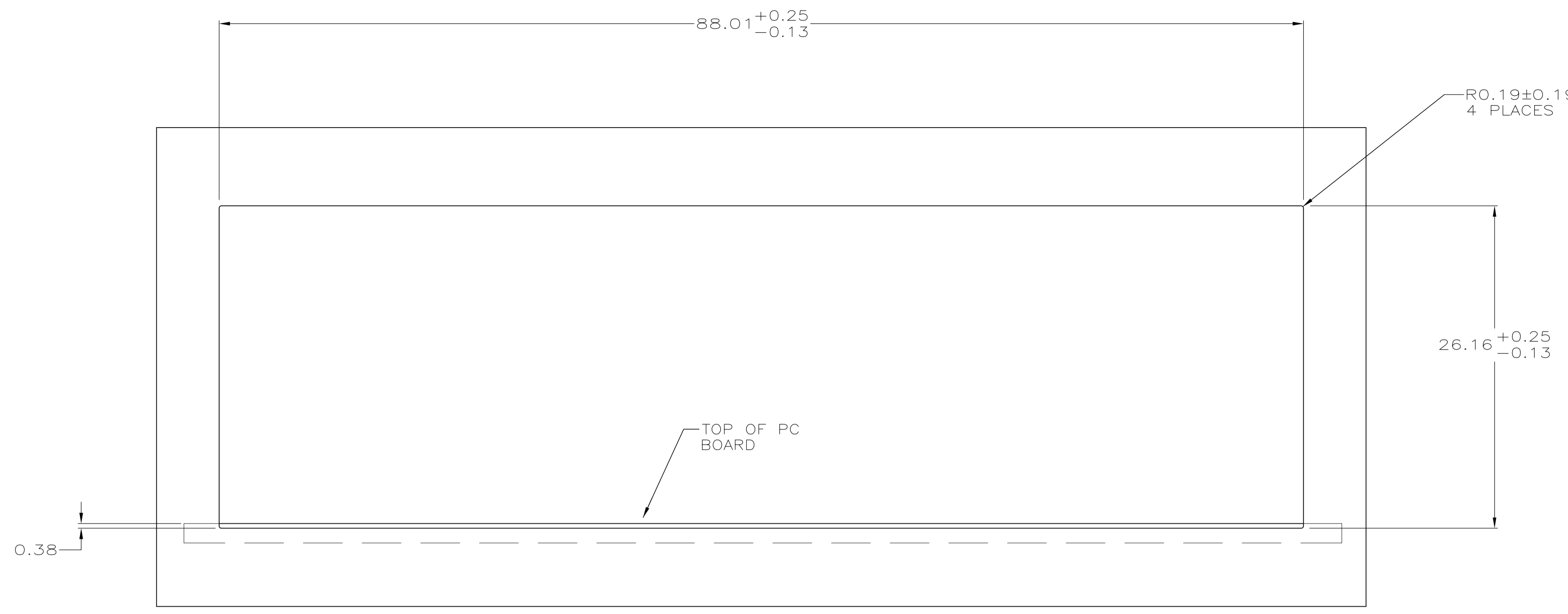
- △ MATERIAL: HOUSING - PCT POLYESTER, BLACK, UL 94V-0. OVERMOLDED TERMINAL ARRAY - PBT, BROWN. TERMINALS - 0.33 [0.013] THICK PHOSPHOR BRONZE PLATED WITH 1.27µm [0.000050] MIN THICK HARD GOLD IN LOCALIZED AREA AND 3.81µm [0.000150] MIN THICK MATTE TIN IN SOLDER AREA OVER 1.27µm [0.000050] MIN THICK NICKEL UNDERPLATE. OUTER SHIELD: 0.196 [0.0077] THICK COPPER ALLOY PLATED 1.27µm [0.000050] MIN NICKEL, PCB GROUND TABS DIPPED WITH 2.03µm [0.000080] MIN TIN.
- △ JACK CAVITY CONFORMS TO FCC RULES AND REGULATIONS, PART 68 SUBPART F.
- △ INNER SHIELD TABS FINAL FORMED AND SIZED BY MATING WITH MODULAR PLUGS TO REDUCE INITIAL MATING INSERTION FORCE. APPLIES TO PN 6116000-1 & -4 ONLY.
- △ USE #30 DRILL BIT OR 3.25mm DRILL BIT WHEN PRODUCING THESE PCB HOLES.
- 5. ALL DIMENSIONS NOMINAL UNLESS OTHERWISE SPECIFIED.
- △ DATE CODE LOCATED ON REAR OF PART APPROX AS SHOWN: FIRST 2 DIGITS ARE LAST 2 DIGITS OF YEAR, SECOND 2 DIGITS ARE MANUFACTURING WORK WEEK, LAST DIGIT IS DAY OF WEEK, WITH SUNDAY=1.
- △ THE DIELECTRIC TAPES ARE ONLY FOR PN 6116000-4.
- △ THE PN 6116000-4 IS PRELIMINARY.
- △ DIELECTRIC WITHSTANDING VOLTAGE: 2250 VDC BETWEEN CONTACT AND SHIELD.
- △ WITH IMPROVED CONTACT, REDUCING CONFLICTS WITH PLUG.



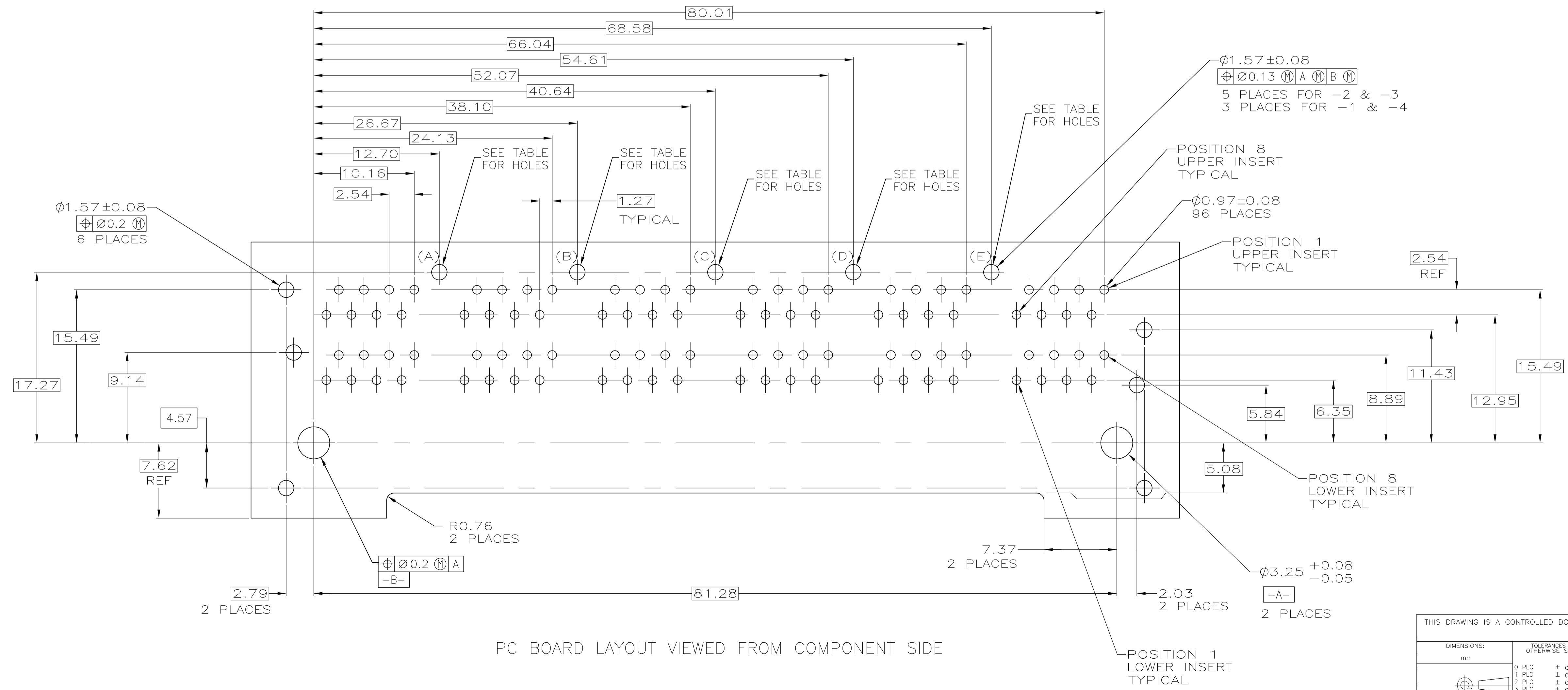
NICKEL	A,C,E	3	△ 6116000-4 △
NICKEL	A,B,C,D,E	5	6116000-3
NICKEL	A,B,C,D,E	5	6116000-2
NICKEL	A,C,E	3	△ 6116000-1 △
△ SHIELD PLATING	HOLES USED	NO. OF REAR TABS	PART NUMBER

THIS DRAWING IS A CONTROLLED DOCUMENT.

DIMENSIONS: mm	TOLERANCES UNLESS OTHERWISE SPECIFIED:	DWN: L. VARELA - 08/JUN/2005	APVD: S. FLICKINGER - 08/JUN/2005
0 PLC ± 0.13	1 PLC ± 0.13	CHK: J. WESTMAN - 08/JUN/2005	NAME: STACKED MODULAR JACK ASSEMBLY, 2x6 PORT, RJ45, SHIELDED, WAVE PANEL GROUNDS, CAT 5/GIGABIT ETHERNET
2 PLC ± 0.13	3 PLC ± 0.13	PRODUCT SPEC: 108-1163-2	SIZE: A1
4 PLC ± 0.13	ANGLES ±	APPLICATION SPEC: 114-2048	SCALE: 4:1
MATERIAL: △	FINISH: △	WEIGHT: -	RESTRICTED TO: -
CUSTOMER DRAWING		00779	6116000
		SHEET 1 OF 2	REV C



SUGGESTED PANEL CUTOUT DIMENSIONS



PC BOARD LAYOUT VIEWED FROM COMPONENT SIDE

THIS DRAWING IS A CONTROLLED DOCUMENT.		DIN	L. VARELA - DOCKS	08/JUN/2005	TE Connectivity
		CHK	J. WESTMAN	08/JUN/2005	
		APVD	S. FLICKINGER	08/JUN/2005	NAME STACKED MODULAR JACK ASSEMBLY, 2x6 PORT, RJ45, SHIELDED, WAVE PANEL GROUNDS, CAT 5/GIGABIT ETHERNET
		PRODUCT SPEC	108-1163-2		
		APPLICATION SPEC	114-2048		SIZE A1
		WEIGHT	00779	6116000	
		CUSTOMER DRAWING	SCALE 4:1 SHEET 2 OF 2 REV C		