

THIRD ANGLE PROJECTION

3

2

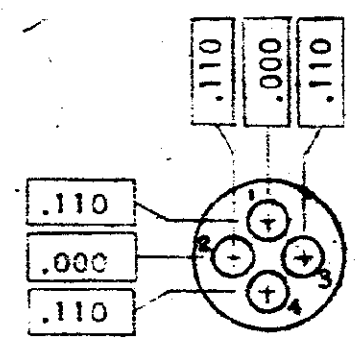
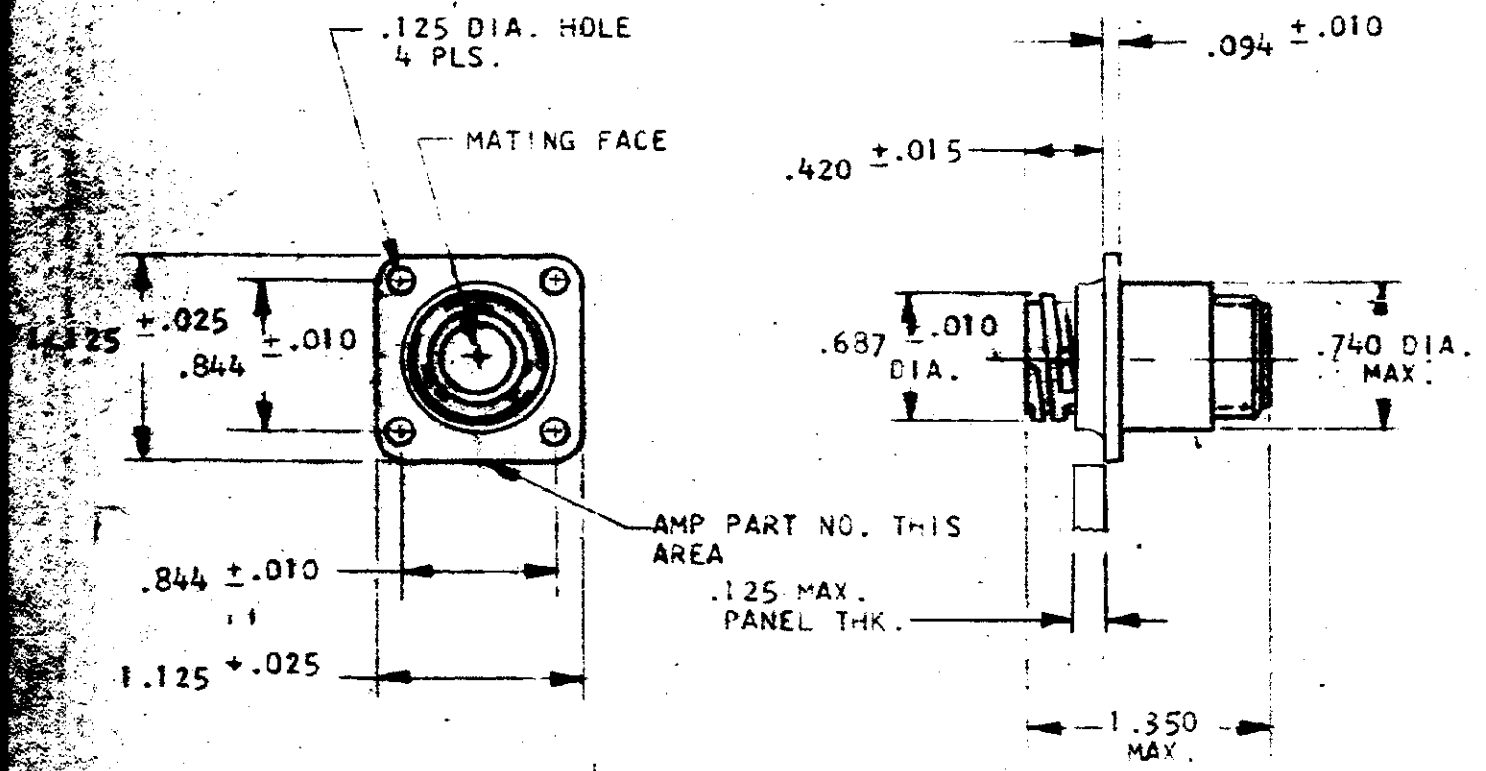
1

LOC R DIST

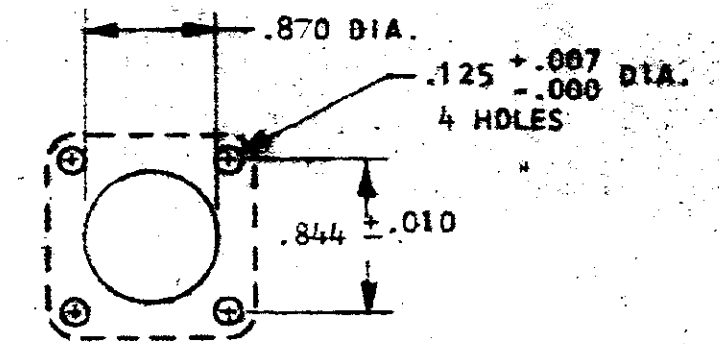
NOT BE RELEASED OR REPRODUCED WITHOUT THE WRITTEN PERMISSION OF AMP INCORPORATED, HARRISBURG, PA. ALL INTERNATIONAL RIGHTS RESERVED. AMP PRODUCTS MAY BE COVERED BY U.S. AND FOREIGN PATENTS AND/OR PATENTS PENDING.

REVISIONS						
P	F	ZONE	LTR	DESCRIPTION	DATE	APPROVED
✓	✓			RELEASED (WAS 5029-1201)	7-27-83	TLS
✓	✓	A		REV PER ECM K-385	7-28-83	BLP

211427-1 1. AS SHOWN.
2. NORMAL KEYING.



CONFIGURATION OF MATING FACE OF CONNECTOR



PANEL CUTOUT

- CONTACT CAVITIES IDENTIFIED BY CHARACTERS ON FRONT AND REAR FACES.
- THIS CONNECTOR WILL ACCEPT (4) MULTIMATE PIN CONTACTS.

UNLESS OTHERWISE SPECIFIED DIMENSIONS ARE IN INCHES. TOLERANCES ON: .005 DECIMALS ± H ANGLES ± H		CONTRACT NO.		PART NO.	
MATERIAL THERMOPLASTIC COLOR: GREY		FINISH H		AMP INCORPORATED Harrisburg, Pa.	
NAME CPC, RECEPTACLE ARRANGEMENT 11-4, STD. SEX., CLASS A		SIZE B		DRAWING NO. 211427	
OTHER APPD.		FSCM NO. 00779		SCALE 1 OF 1	