

NOTES:

1. MATERIAL:
 - 1.1 HOUSING: THERMOPLASTIC, HIGH TEMP., UL94V-0;
 - 1.2 CONTACTS: COPPER ALLOY.
2. CONTACT FINISH:
 - SELECTED GOLD PLATING ON CONTACT AREA.
3. NO TIE BAR PERMITTED FROM CARD EDGE TO LEADING EDGE OF PAD FOR PINS A1 AND PIN No. "F"
4. CHAMFER EDGES MUST BE FREE OF CUTTING EDGE.
5. FREQUENCY & LOCATION AT SUPPLIER DISCRETION. RIDGE MAY BE CONTINUOUS WITH NO BREAKS.
6. PRODUCT SPEC.: GS-12-233
PACKING SPEC: GS-14-910
7. THE HSG WILL WITHSTAND ESPOSURE TO 260 +/-5C SOLDER BATH TEMP. FOR 5 SEC. IN A REFLOW SOLDER APPLICATION.

PRODUCT NUMBER CODE

10069690 -X 0 X X X X LF

HOUSING COLOR OPTIONS: 0-NATURAL, 1-BLACK, RESERVE

LEAD FREE
PACKAGING OPTIONS: T:TRAY PACKAGING (ONLY 98P WITH CAP; 36P,64P,164P WITHOUT CAP), P:TRAY PACKAGING WITH CAP (FOR 36P,64P AND 164P ONLY)

POS OPTIONS: 0-36, 1-64, 2-98, 3-164

TERMINAL PLATING OPTIONS: 0-50u" Ni UNDERPLATE, 30u" Au CONTACT AREA, 100u" MATT TIN TAIL AREA; 1-50u" Ni UNDERPLATE, 15u" Au CONTACT AREA, 100u" MATTE TIN TAIL AREA; 2-50u" Ni UNDERPLATE, GOLD FLASH CONTACT AREA, 100u" MATT TIN TAIL AREA

PCB THICKNESS OPTION: 0- 2.08 MM, 1- 2.30 MM

SECTION F-F

DIMENSIONS					
POSITION	A ±0.20	B $\frac{+0.15}{-0.05}$	C ±0.20	D ±0.23	E ±0.30
36	6	7.65	12.30	25.00	34.8
64	20	21.65	26.30	39.00	48.8
98	37	38.65	43.30	56.00	65.8
164	70	71.65	76.30	89.00	98.8

DIMENSION "k"	DIMENSION "L"	PCB THICKNESS (DIM "J")
1.60	2.50	2.08 MM
1.90	2.50	12.30 MM

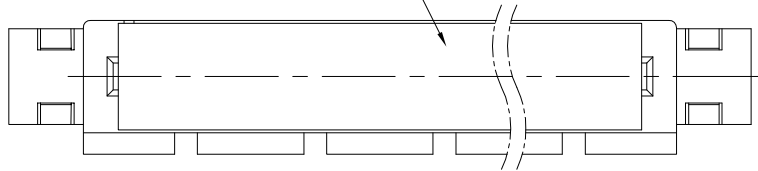
mat'l. code	surface	tolerance	projection	product family
-	-	ASME_Y14.5		PCI_EXPRESS
ltr	ecn no	dr	date	title
A	T07-1077	S.Lin	03/13/07	PCI_EXPRESS_CARD_EDGE_GEN3
B	T07-1098	S.Lin	06/08/07	STRADDLE_MOUNT_ASS'Y
C	T00-1001	J.H	1/3/08	
D	DG-23732	LZH	4/05/16	
tolerances unless otherwise specified angles: $\frac{C}{U}$.0±.30 parallelism: $\frac{C}{U}$.00±.20 perpendicularity: $\frac{C}{U}$.00±.10				scale N/A sheet 1 of 4 size A4
dr ZHENHUA_LIU 2016-03-25 engr ZHENHUA_LIU 2016-03-25 chr STONE_LI 2016-03-25 appd PM_ZHENG 2016-03-25				Amphenol FCI 10069690 type CUSTOMER Drawing
sheet index	revision sheet	D	4	



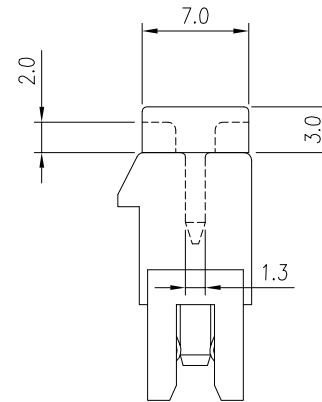
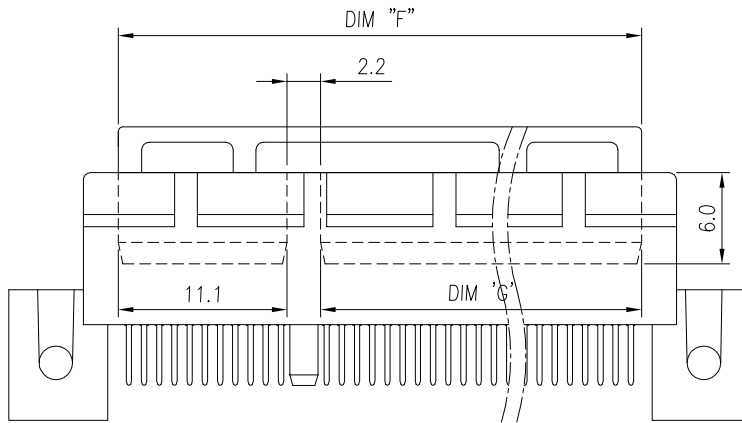
NOTES:

- 1. MATERIAL:
INSERT CAP: THERMOPLASTIC, HIGH TEMP.,
UL94V-0; BLACK COLOR.
- 2. THE INSERT CAP SHALL BE REMOVED OUT
AFTER RE-FLOWED PROCESS.

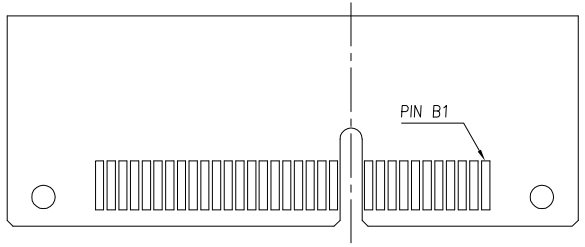
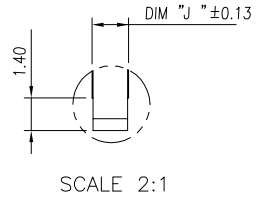
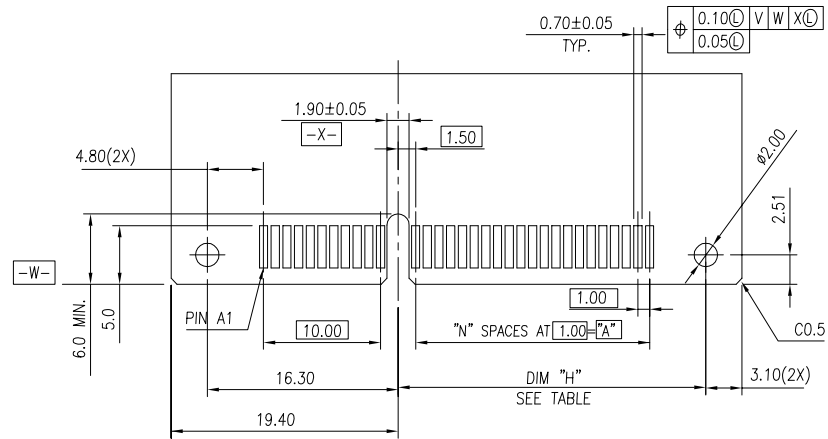
INSERT CAP



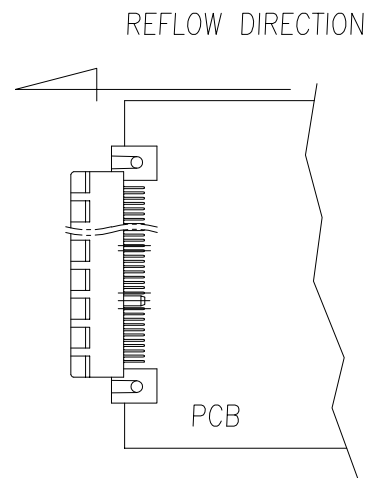
DIMENSIONS		
POSITION	F	G
36	20.4	7.1
64	34.4	21.1
98	51.4	38.1
164	84.4	71.1



mat'l. code		surface		tolerance		projection		product family	
-		-		ASME_Y14.5				PCI_EXPRESS	
ltr		ecn no		dr		date		title	
								PCI_EXPRESS_CARD_EDGE_GEN3 STRADDLE_MOUNT_ASS'Y	
				angles		tolerances unless otherwise specified		MM	
				±2°		.0±.030		scale N/A	
						.00±.020		dwg no	
						.000±.010		sheet 2 of 4	
		dr		ZHENHUA_LIU		2016-03-25		size	
		enr		ZHENHUA_LIU		2016-03-25		A4	
		chr		STONE_LI		2016-03-25		10069690	
		app		PM_ZHENG		2016-03-25		type	
								CUSTOMER Drawing	
sheet index		revision sheet		D					
4		4		4					



RECOMMEND OF PCB DIMENSIONS



RECOMMEND OF REFLOW DIRECTION

#	POS REF.	N	DIM "H"
36	6	12.30	
64	20	26.30	
98	37	43.30	
164	70	76.30	

mat'l. code		surface		tolerance		projection		product family	
-		-		ASME_Y14.5				PCI_EXPRESS	
ltr		ecn no		dr		date		title	
								PCI_EXPRESS_CARD_EDGE_GEN3 STRADDLE_MOUNT_ASS'Y	
				angles		tolerances unless otherwise specified		MM	
				±2°		.0±.020 .00±.013 .000±.005		scale N/A	
		dr		ZHENHUA_LIU		2016-03-25		dwg no	
		enfr		ZHENHUA_LIU		2016-03-25		sheet 3 of 4	
		chr		STONE_LI		2016-03-25		size	
		appc		PM_ZHENG		2016-03-25		A4	
sheet index		revision sheet		D				type	
4		4		4				CUSTOMER Drawing	

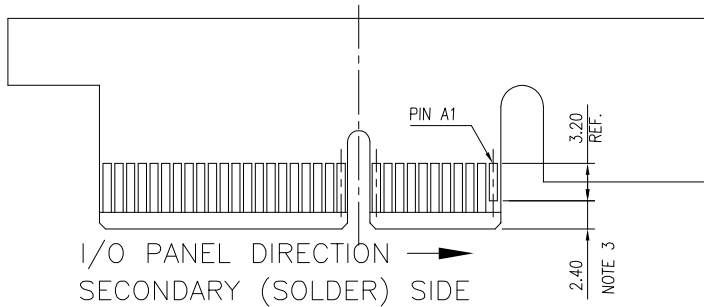
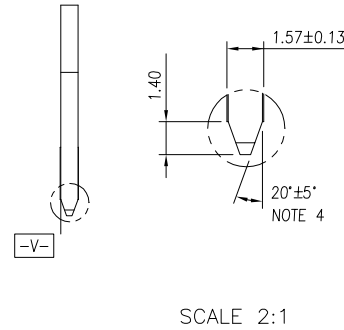
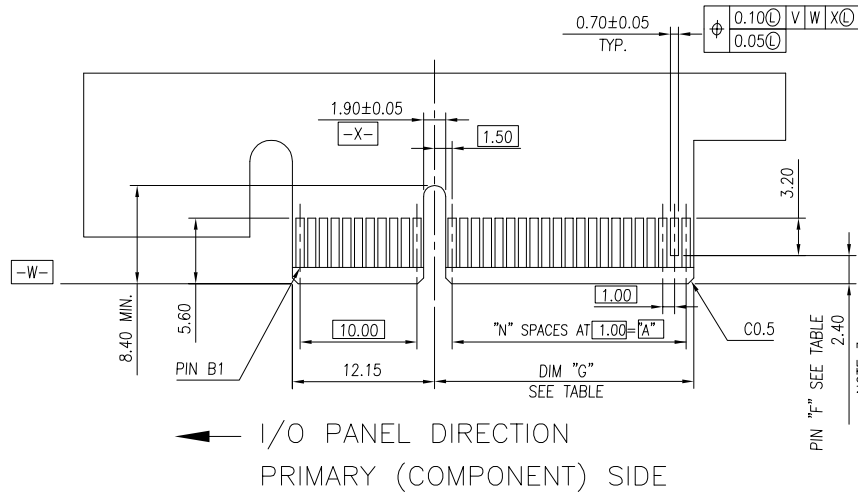
A

A

B

B

5



ADD-IN CARD EDGE-FINGER DIMENSIONS

#	POS	REF.	N	DIM "G" ±0.20	"F"
36	6		6	8.15	B17
64	20		20	22.15	B31
98	37		37	39.15	B48
164	70		70	72.15	B81

mat'l. code		surface		tolerance		projection		product family	
-		-		ASME_Y14.5				PCI_EXPRESS	
ltr		ecn no		dr		date		title	
								PCI_EXPRESS_CARD_EDGE_GEN3 STRADDLE_MOUNT_ASS'Y	
				angles				dwg no	
				±2°		scale N/A		sheet 4 of 4	
				dr		2016-03-25		size	
				engr		2016-03-25		A4	
				chr		2016-03-25		10069690	
				appd		2016-03-25		type	
				PM_ZHENG				CUSTOMER Drawing	
sheet index		revision		D					
4		sheet		4					