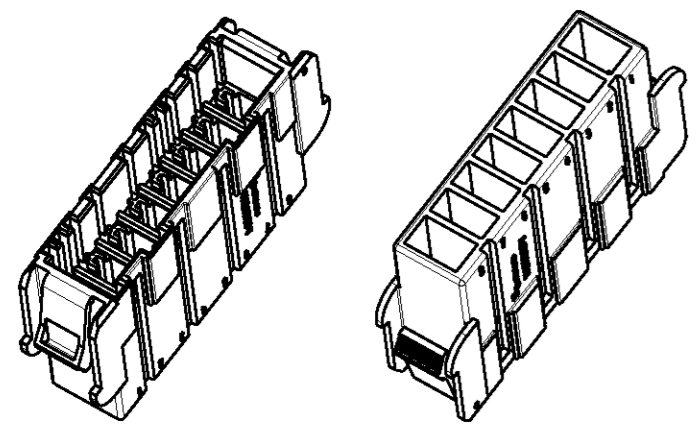
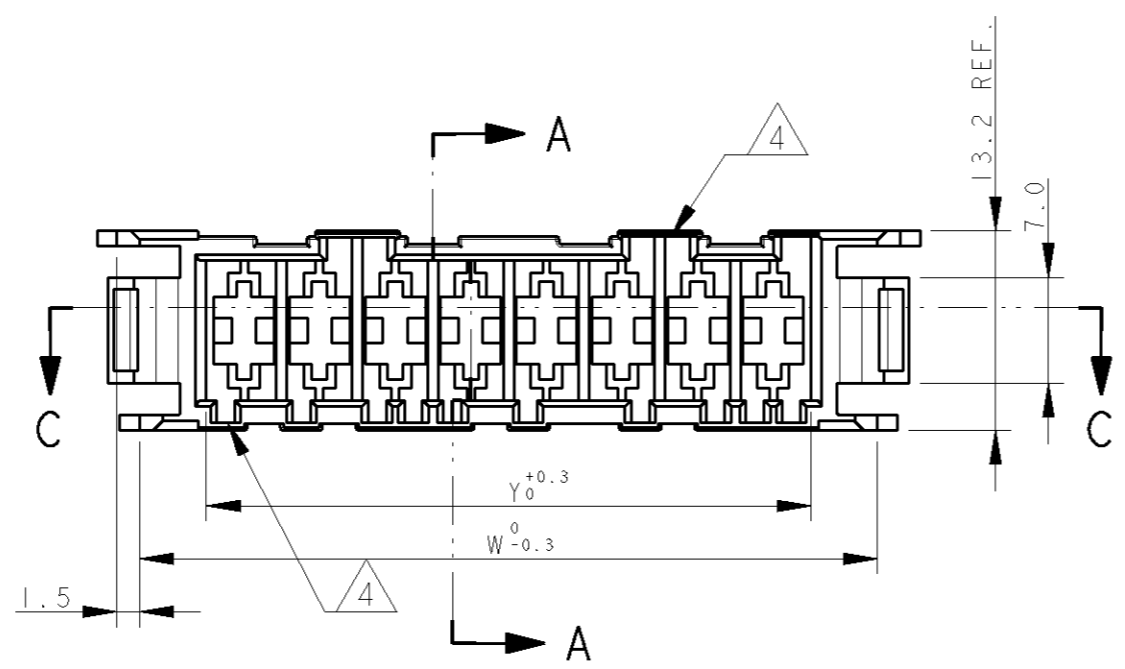


THIS DRAWING IS UNPUBLISHED. RELEASED FOR PUBLICATION 2003
 © COPYRIGHT 2003 BY TYCO ELECTRONICS CORPORATION. ALL RIGHTS RESERVED.

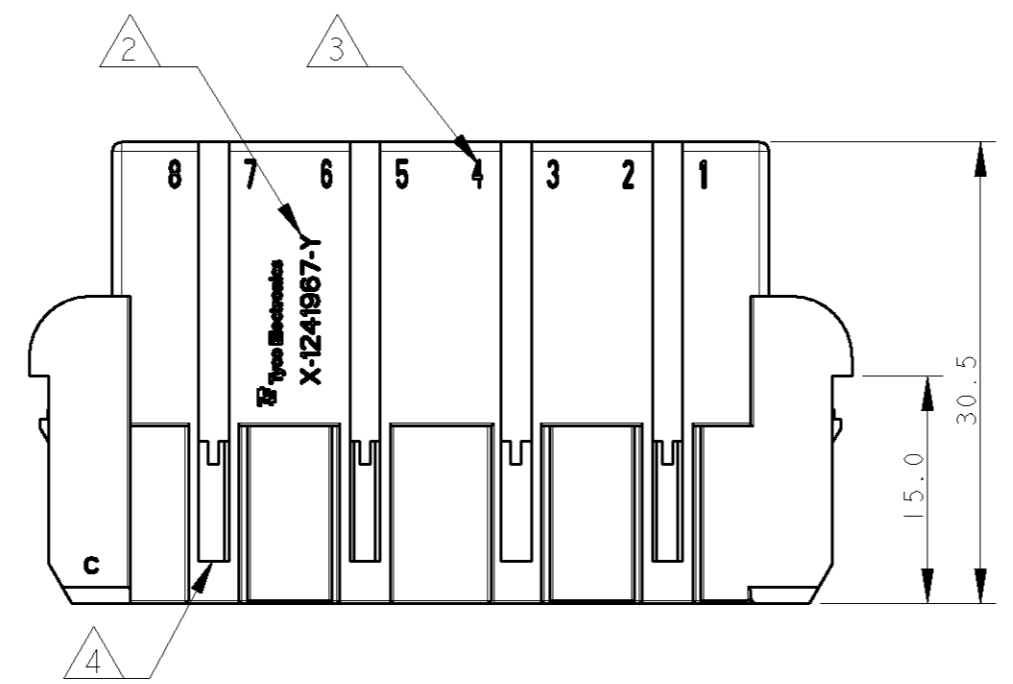
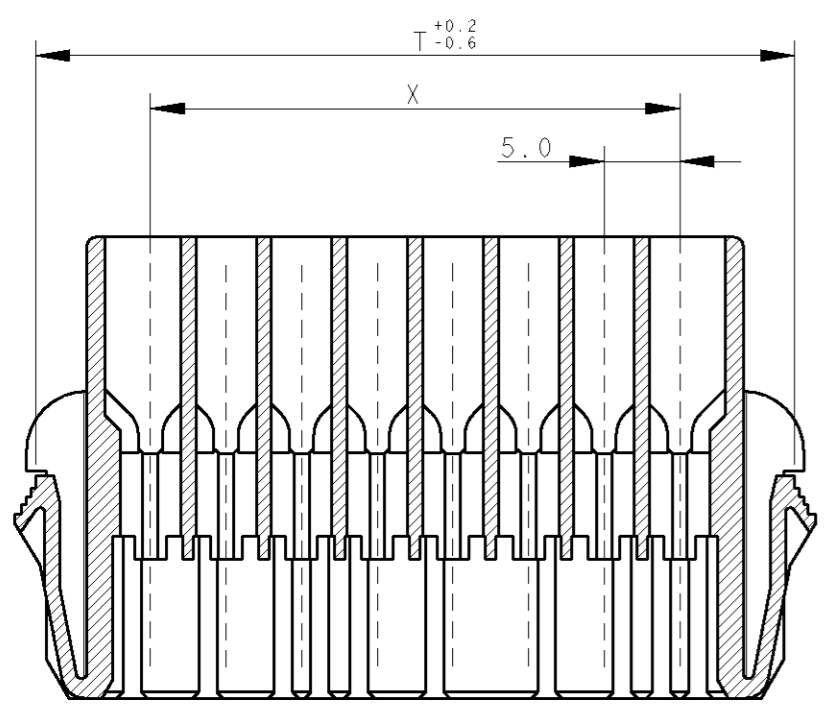
REVISIONS					
P	LTR	DESCRIPTION	DATE	DWN	APVD
B		REDRAWN	10 MAY 2005	HY	GT
B1		RELEASED 6POS., ECR-05-011385	20 SEP 2005	HY	GT
B3		ADDED 7 POS and 8 pos ECR-08-001489	05 DEC 2007	HY	GT
B4		REVISED NOTE 5-6	28 OCT 2009	RP	GT



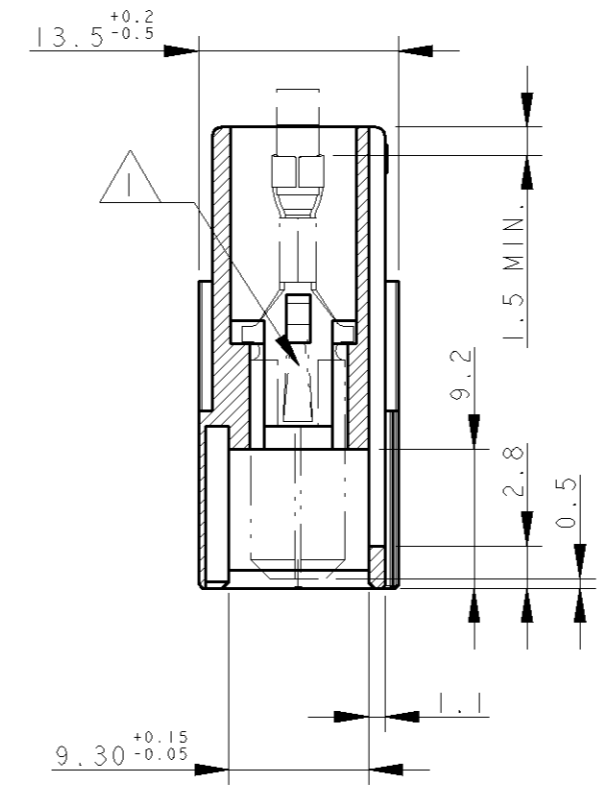
SCALE 1:1



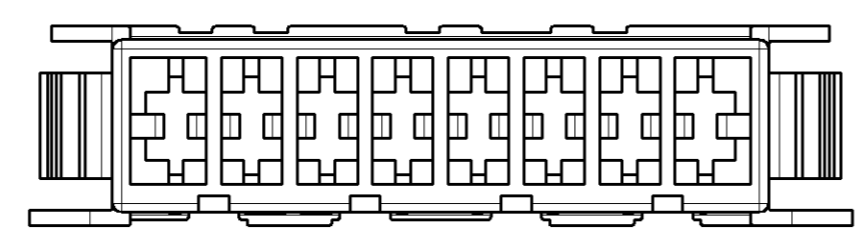
SECTION C-C



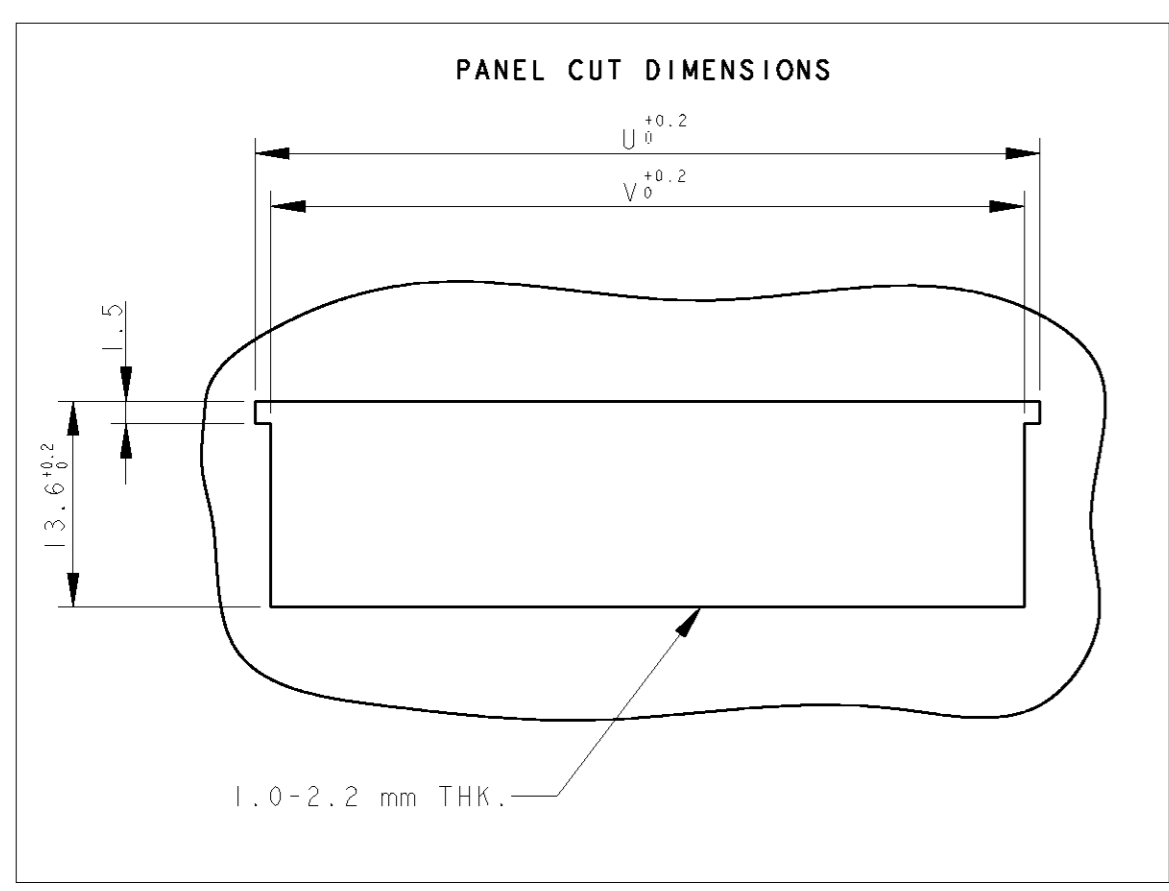
SECTION A-A



- 1 TYPICAL CAVITY SUITABLE FOR:
 FASTIN-FASTON TAB CONTACTS 6.3 mm SRS:
 P/N: 60294, 0.3-0.8 mm² WIRE RANGE
 160691, 0.3-0.8 mm² WIRE RANGE
 AMPLIVAR CONTACTS:
 P/N: 141051, 0.1-0.5 mm² WIRE RANGE
 142411, 0.3-1.6 mm² WIRE RANGE
 MAX. INSULATION DIA. 2.8 mm,
 MAX. INSULATION CRIMP WIDTH 3.3 mm.
- 2 TYCO ELECTRONICS TRADEMARK "LOGO"
 AND "PART NUMBER"
 OPTIONAL POSITION.
- 3 CIRCUIT IDENTIFICATION NUMBERS.
- 4 POLARIZATION KEYS DIMENSIONS AND POSITIONS
 ARE ACCORDING TO "RAST 5" NORM
- 5 PA6 UNFILLED, UL 94-V2,
 ACCORDING TO IEC 60335-1 NORM.
- 6 PA66 UNFILLED, UL 94-V2



PANEL CUT DIMENSIONS



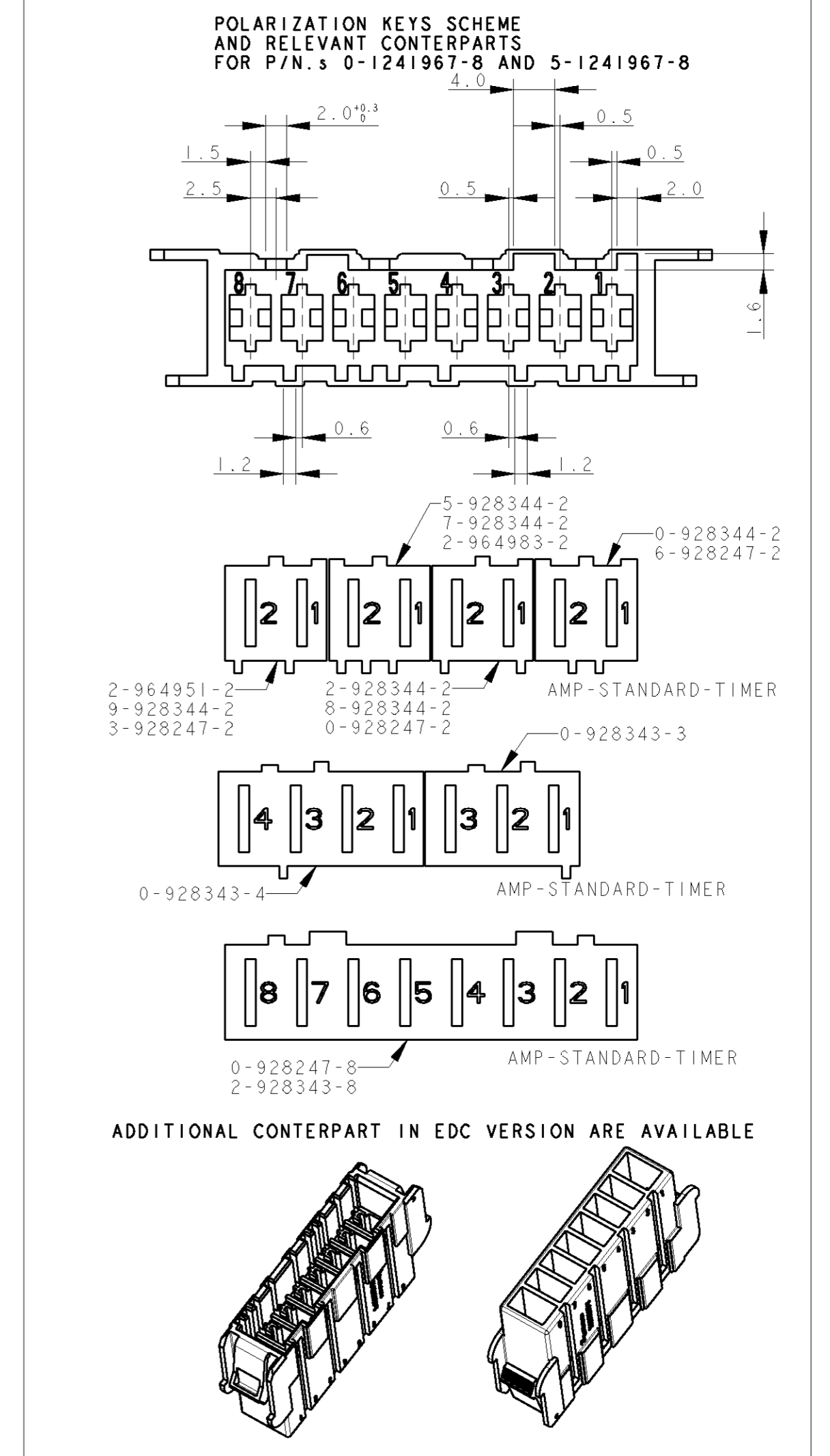
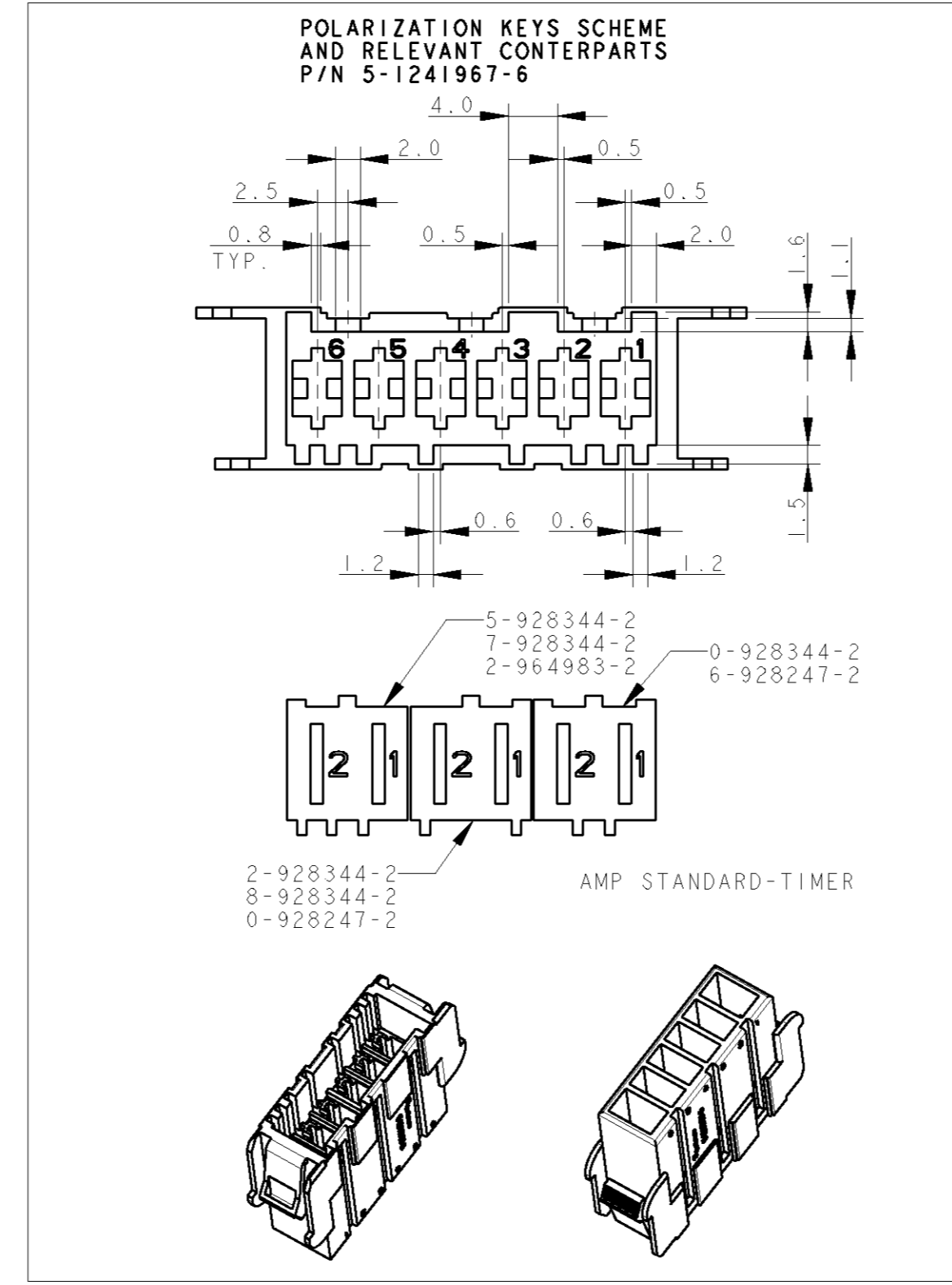
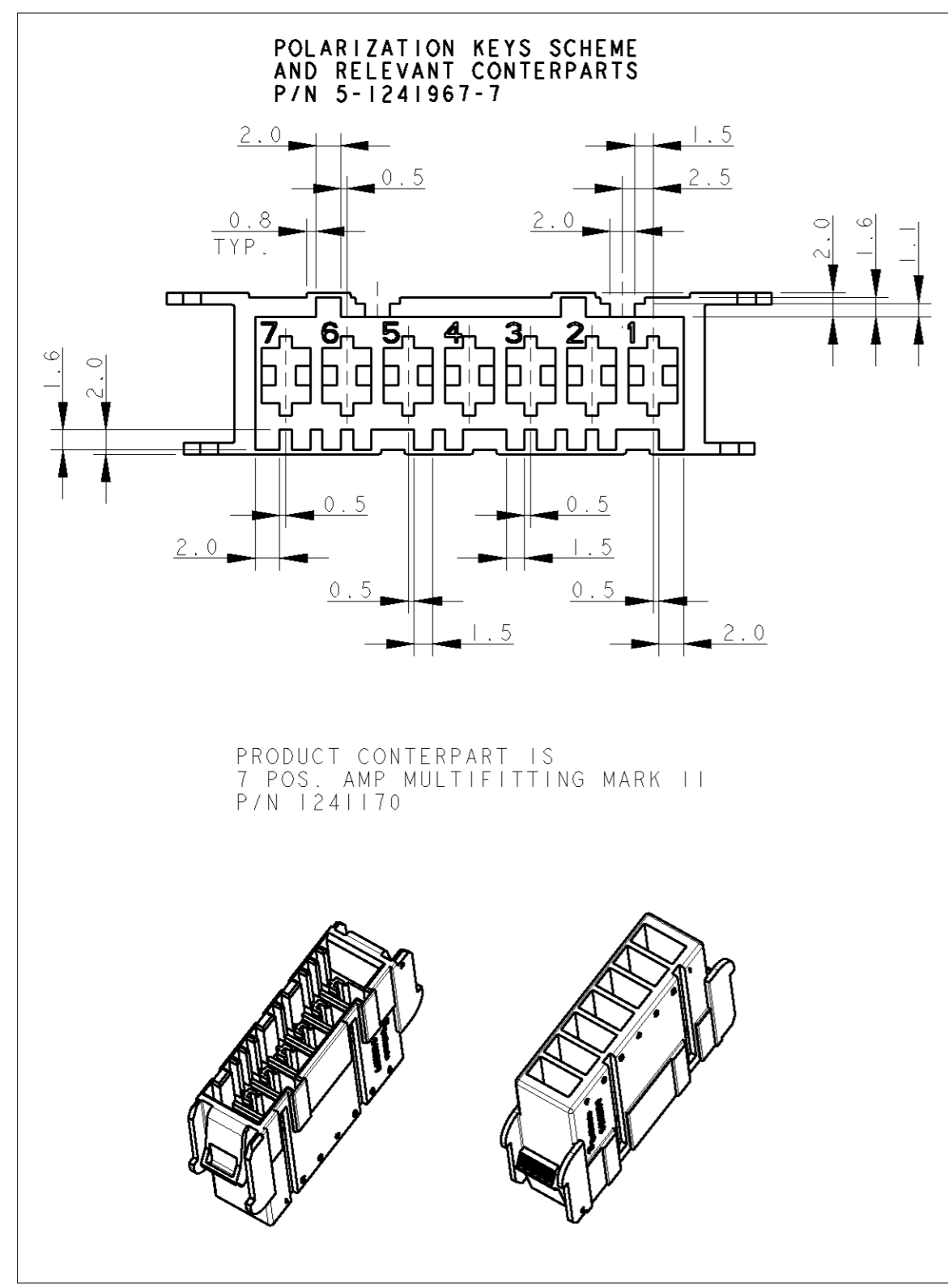
NOTE	POS.	W	T	X	Y	U	V	FINISH/COLOUR	MATERIAL	TE P/N	REV
	12	69	70.2	55	60	71.9	69.8				
	11	64	65.2	50	55	66.9	64.8				
	10	59	60.2	45	50	61.9	59.8				
	9	54	55.2	40	45	56.9	54.8				
	8	49	50.2	35	40	51.9	49.8	BLUE	SEE NOTE 5	6-1241967-8	B
	8	49	50.2	35	40	51.9	49.8	NATURAL	SEE NOTE 5	5-1241967-8	B
	8	49	50.2	35	40	51.9	49.8	NATURAL	SEE NOTE 6	0-1241967-8	B
	7	44	45.2	30	35	46.9	44.8	NATURAL	SEE NOTE 5	5-1241967-7	B
	6	39	40.2	25	30	41.9	39.8	NATURAL	SEE NOTE 5	5-1241967-6	B
	5	34	35.2	20	25	36.9	34.8				
	4	29	30.2	15	20	31.9	29.8				
	3	24	25.2	10	15	26.9	24.8				
	2	19	20.2	5	10	21.9	19.8				

PARTS LIST

THIS DRAWING IS A CONTROLLED DOCUMENT FOR TYCO ELECTRONICS CORPORATION IT IS SUBJECT TO CHANGE AND THE CONTROLLING ENGINEERING ORGANIZATION SHOULD BE CONTACTED FOR THE LATEST REVISION		DWN H. YAALI 11APR2005 CHK G. TURCO APVD - PRODUCT SPEC - APPLICATION SPEC - WEIGHT - CUSTOMER DRAWING	Tyco Electronics Tyco Electronics AMP Italia S.r.l. Corso F.lli Cervi, 15 COLLEGNO (TO)
DIMENSIONS: mm 	TOLERANCES UNLESS OTHERWISE SPECIFIED: 0 PLC ± 1 PLC ±0.2 2 PLC ± 3 PLC ± 4 PLC ± ANGLES ±° FINISH	NAME 2-12 POS. FASTIN-FASTON* Connector TAB HOUSING, RAST 5 PANEL MOUNT VERSION SIZE A2 CAGE CODE 00779 DRAWING NO. 1241967 RESTRICTED TO -	SCALE 2:1 SHEET 1 OF 3 REV B4

THIS DRAWING IS UNPUBLISHED. RELEASED FOR PUBLICATION 2003
 © COPYRIGHT 2003 BY TYCO ELECTRONICS CORPORATION. ALL RIGHTS RESERVED.

LOC	DIST	REVISIONS			
P	LTR	DESCRIPTION	DATE	DWN	APVD
		SEE SHEET 1 OF 3			

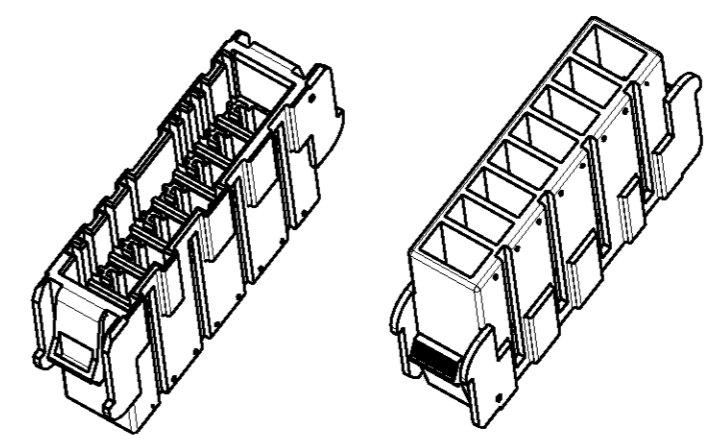
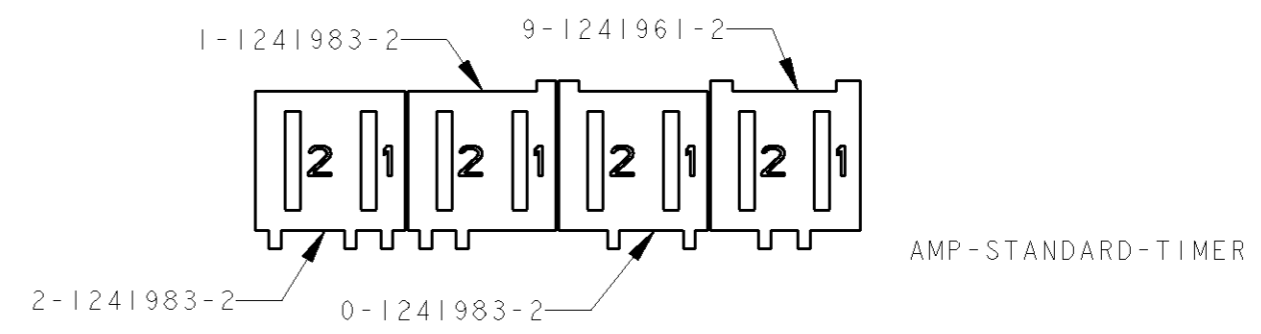
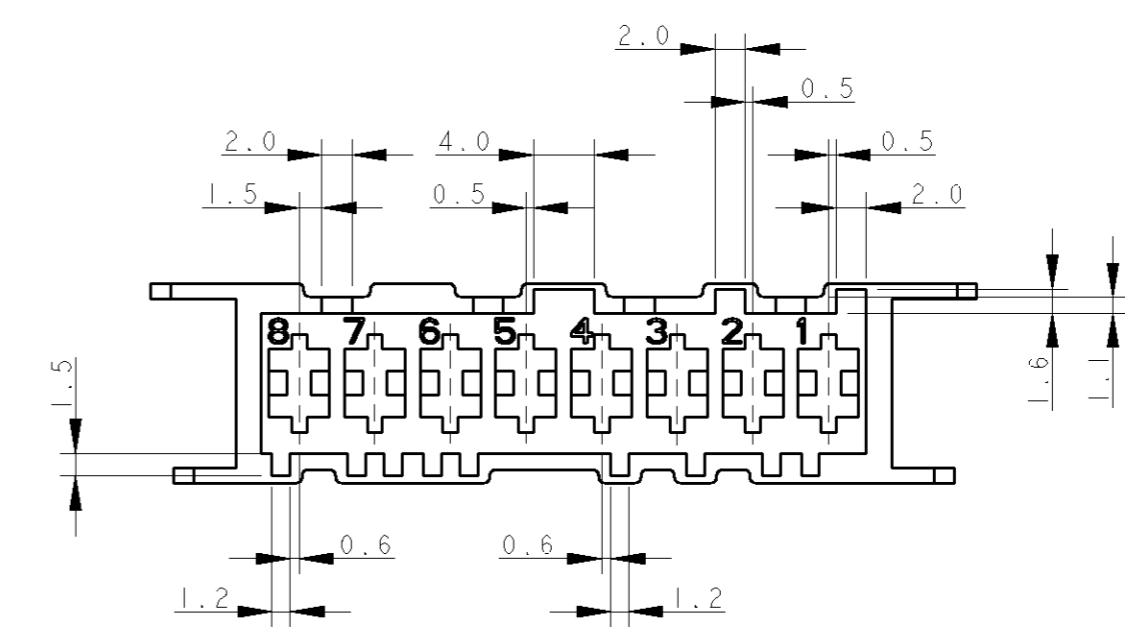


THIS DRAWING IS A CONTROLLED DOCUMENT FOR TYCO ELECTRONICS CORPORATION IT IS SUBJECT TO CHANGE AND THE CONTROLLING ENGINEERING ORGANIZATION SHOULD BE CONTACTED FOR THE LATEST REVISION.		DWN H. YAALI 09MAY2005	Tyco Electronics Tyco Electronics AMP Italia S.r.l. C.so F.lli Cervi, 15 COLLEGGNO (TO)	
DIMENSIONS: mm		CHK G. TURCO	NAME 2-12 POS. FASTIN-FASTON* Connector TAB HOUSING, RAST 5 PANEL MOUNT VERSION	
TOLERANCES UNLESS OTHERWISE SPECIFIED: 0 PLC ± 1 PLC ± 2 PLC ± 3 PLC ± 4 PLC ± ANGLES ±° FINISH		APVD -	PRODUCT SPEC -	APPLICATION SPEC -
MATERIAL	-	WEIGHT -	SIZE A2	CAGE CODE 00779
CUSTOMER DRAWING		DRAWING NO. G-1241967	RESTRICTED TO -	SCALE 2:1
			SHEET 2	OF 3
			REV B4	

THIS DRAWING IS UNPUBLISHED. RELEASED FOR PUBLICATION 2003
 © COPYRIGHT 2003 BY TYCO ELECTRONICS CORPORATION. ALL RIGHTS RESERVED.

LOC	DIST	REVISIONS			
P	LTR	DESCRIPTION	DATE	DWN	APVD
A1	-	SEE SHEET 1 OF 3	-	-	-

**POLARIZATION KEYS SCHEME
AND RELEVANT CONTERPART
P/N 6-1241967-8**



THIS DRAWING IS A CONTROLLED DOCUMENT FOR TYCO ELECTRONICS CORPORATION IT IS SUBJECT TO CHANGE AND THE CONTROLLING ENGINEERING ORGANIZATION SHOULD BE CONTACTED FOR THE LATEST REVISION.		DWN H. YAALI	11APR2005	Tyco Electronics AMP Italia S.r.l. Corso F.lli Cervi, 15 COLLEGNO (TO)
DIMENSIONS: mm		CHK G. TURCO		
TOLERANCES UNLESS OTHERWISE SPECIFIED: 0 PLC ± 1 PLC ±0.2 2 PLC ± 3 PLC ± 4 PLC ± ANGLES ±° FINISH		APVD -		NAME 2-12 POS. FASTIN-FASTON* Connector TAB HOUSING, RAST 5 PANEL MOUNT VERSION
MATERIAL SEE TABLE		PRODUCT SPEC -	APPLICATION SPEC -	SIZE A2
		WEIGHT -	CUSTOMER DRAWING	CAGE CODE 00779
				DRAWING NO. 1241967
				RESTRICTED TO -
				SCALE 2:1 SHEET 3 OF 3 REV B4