

MODEL NUMBER  
CPL-5214-20-SMA-79

NOTES:

1.0 ELECTRICAL SPECIFICATIONS:

1.1 FREQUENCY RANGE: 4.0 to 8.0 GHz

1.2 FREQ. SENSITIVITY:  $\pm 0.50$ dB

1.3 COUPLING: 20dB  $\pm 1.0$

1.4 VSWR (MAX): 1.25:1

1.5 INSERTION LOSS (EXC. COUPLED POWER):  
0.35dB MAX.

1.6 DIRECTIVITY: 20dB MIN.

1.7 POWER: INPUT: 50 WATTS

REF: 50 WATTS

PEAK: 4,000 WATTS

1.8 RF IMPEDANCE: 50 OHMS

1.9 WIEGHT: 0.60 Oz (17.0 GRAMS)

2.0 FINISHING:

2.1 GREY OVER MIL-E-15090 TYPE II, CLASS 2

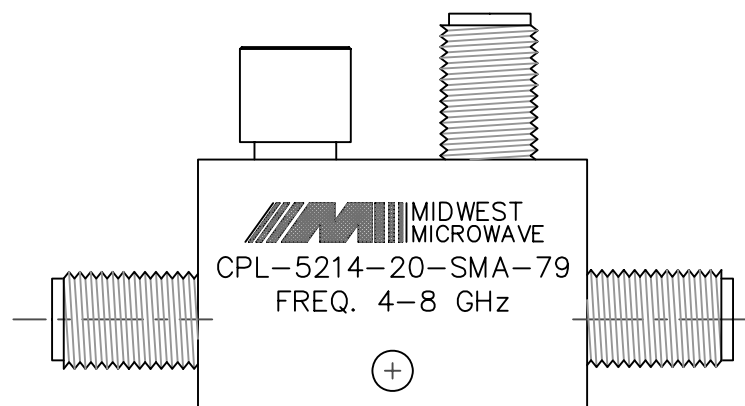
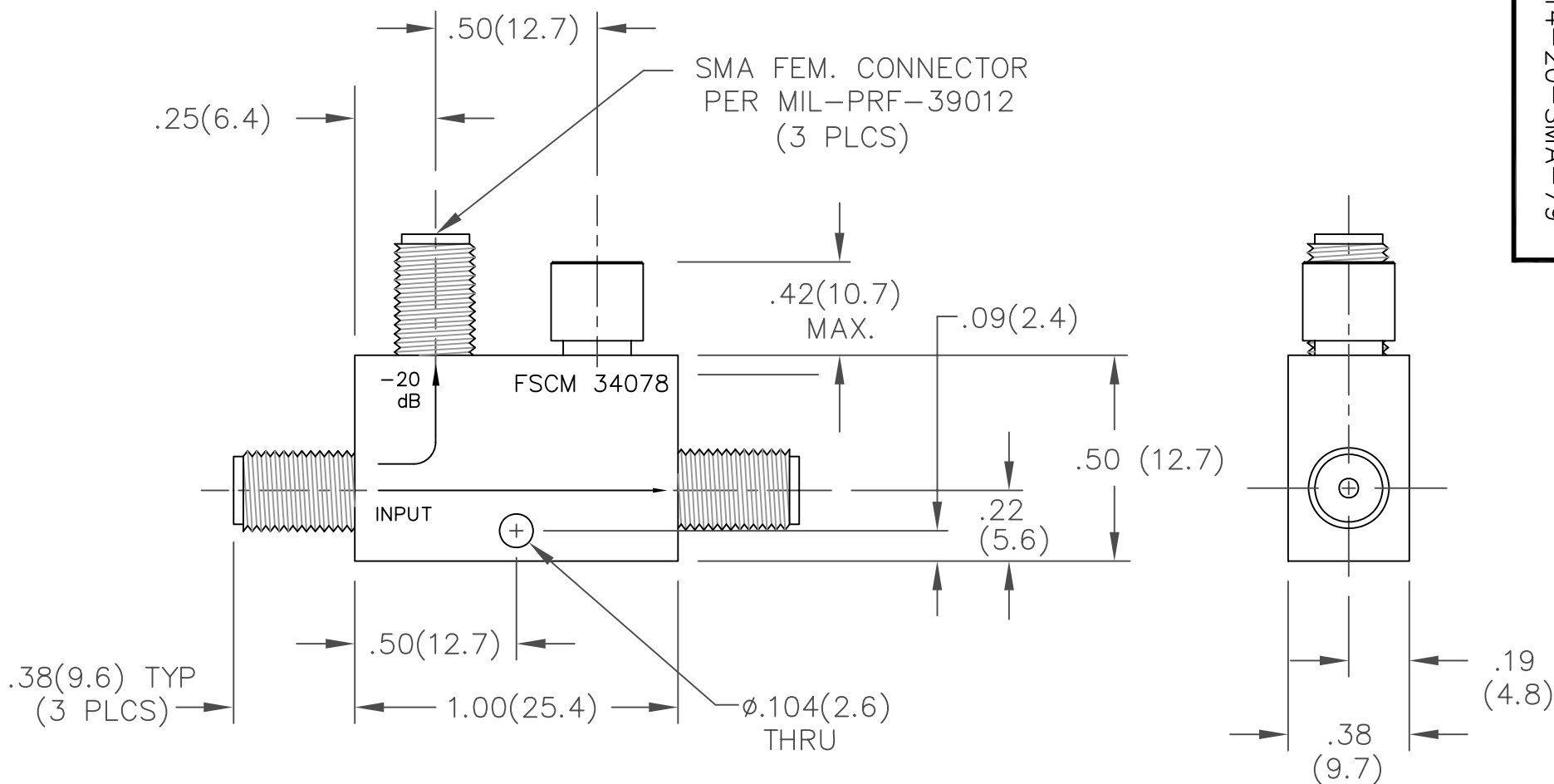
OVER MIL-C-5541 CLASS 3A

MEETS MIL-F-14072

MEETS MIL-E-5400 AND MIL-E-16400V.

2.2 MARK UNIT AS SHOWN.

3.0 DIMENSIONS IN PARENTHESIS ARE  
IN MILLIMETERS.



BACKSIDE MARKING

NOTICE: The information contained in this drawing is proprietary and must not be used without the permission of Emerson Network Power.		CAGE CODE <b>34078</b>		<b>MIDWEST MICROWAVE</b>	
UNLESS OTHERWISE NOTED DIMENSIONS ARE IN INCHES AND TOLERANCES ARE: 3 PLACE DECIMALS $\pm .005$ 2 PLACE DECIMALS $\pm .02$ FRACTIONS $\pm 1/64$ PARALLELITY: T.I.R. _____ FLATNESS: T.I.R. _____ CONCENTRICITY: T.I.R. _____ ANGLES AND PERPENDICULARITY: $\pm 1^\circ$				TITLE DIRECTIONAL COUPLER OUTLINE DRAWING	
DRAWN/DATE A.BEATTY 8/9/91	ENG./DATE T.MATTHEWS 8/13/91	DRAWING NUMBER CPL-5214-20-SMA-79-01		REV. G1	
CHECKED/DATE C.RICKARD 8/12/91	APPROVED/DATE	SCALE: 2=1	SHEET 1 of 1		

DATE	8/13/91
DESCRIPTION	RELEASED
REV.	A
	A1
	G
	G1