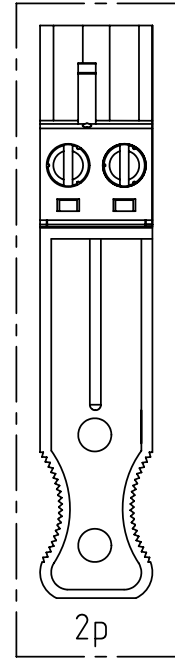
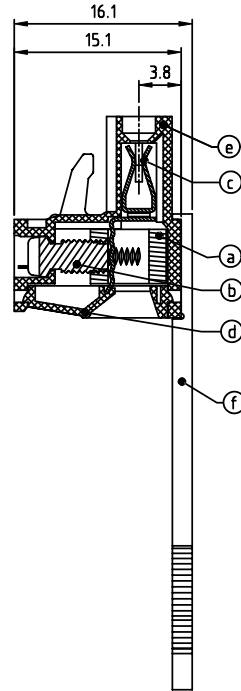
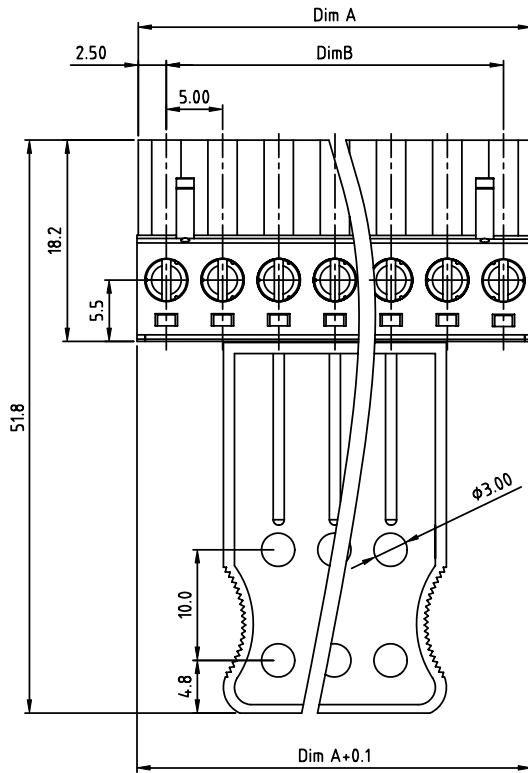


PRODUCT NUMBER	PITCH
TJxx71x400JOG	5.00 mm



Corresponding poles for the handle

product	handle
2P-4P	2P
5P-9P	5P
10P-15P	8P
16P-24P	12P

N = Number of poles
Dim A=Nx5.0
Dim B=(N-1)x5.0

	Dim A	Dim B
2-6p	±0.20	±0.15
7-12p	±0.25	±0.20
13-18p	±0.30	±0.25
19-24p	±0.40	±0.30

Material

- Item ① Clamp: Brass(CuZn) Ni plated
- Item ② Terminal screw: Steel Zinc plating "-" slot type
- Item ③ Female contact: High conductivity copper ,Tin plated
- Item ④ Terminal (Cover): Thermoplastic (UL94V-0)
- Item ⑤ Terminal (Body): Thermoplastic (UL94V-0)
- Item ⑥ Handle: Thermoplastic (UL94V-0)

Electrical cULus/VDE/TUV

- Voltage rating: 300V/300V/300V
- Current rating: 20A/20A/20A
- Wire range:
- Solid wire(AWG): 12-24
- Stranded wire(AWG): 12-24
- Torque: 5Lb-In/0.5Nm/0.56Nm
- Screw: M3
- Wire strip length: 7-8mm
- Withstanding Voltage: 1.6KV/2.5KV/2.5KV
- Operating temperature: -40°C to +115°C
- Safety Approval:

PART NO.: TJ xx 71 x 4 00J0 G

No. of poles	Body Color	RoHS compliant (lead<4%) In copper Alloy
02 2 poles	0 Black (RAL9005)	
03 3 poles	2 Red (RAL3001/D)	
...	3 Orange(RAL2011/P)	
24 24 poles	4 Yellow(RAL1018/A)	
	5 Green(RAL6018/T)	
	6 Blue (RAL5015/A)	
	8 Grey(RAL7035/D)	
	9 White(RAL1102)	
	C Green(RAL6018/U)	

mat'l. code		surface ASME Y14.5	tolerance ASME Y14.5	projection	product family	
ltr ecn no dr date		tolerances unless otherwise specified			TERMINAL BLOCK	
		angles	X.±0.5	MM	title	
		X*±1*	X.XX±0.3	scale	TERMINAL BLOCK	
		dr	HANKE FENG 032614		PLUGGABLE PLU, WITH HANDLE	
		enr	HANKE FENG 032614		dwg no	
		chr	SHI JUN 032614		sheet 1 of 1	
		appd	SHI JUN 032614		TJxx71x400JOG	
sheet index		revision sheet	A 1	type		size A4
				CUSTOMER Drawing		