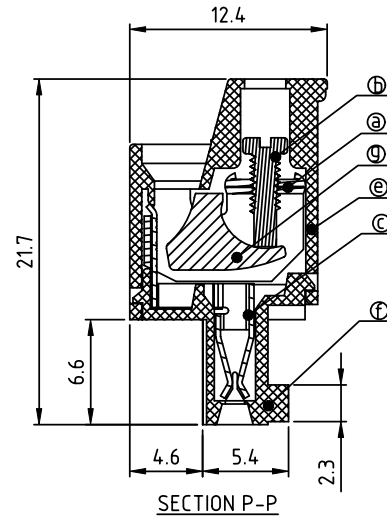
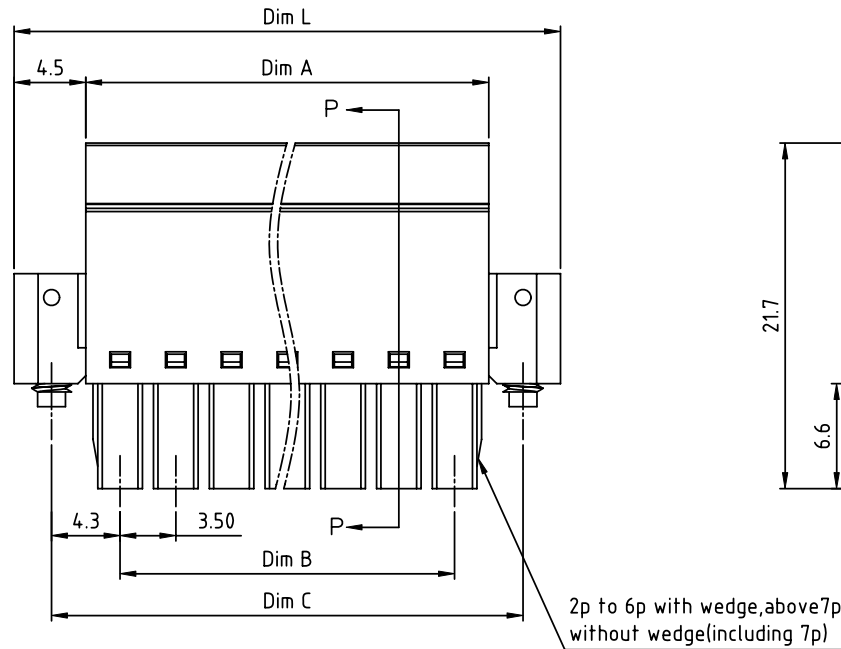
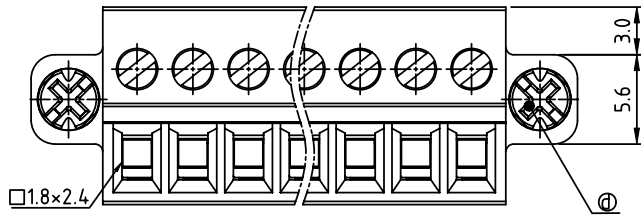


PRODUCT NUMBER	PITCH
VMxx15x200J0G	3.50 mm



Material

- Item a Clamp: Steel zinc plated.
- Item b Terminal screw: Steel Zinc plating "-" slot type
- Item c Female contact: PhBz Tin plated
- Item d With flange screw: Steel zinc plated M2.5"+/-"slot type
- Item e Terminal (top body): Thermoplastic (UL94V-0)
- Item f Terminal (bottom body): Thermoplastic (UL94V-0)
- Item g Clampage: Steel Zinc plated

Electrical cULus

- Voltage rating: 300VAC
- Current rating: 10A
- Wire range:
- Solid wire(AWG): 16-28
- Stranded wire(AWG): 16-28
- Torque: 1.7Lb-In
- Screw: M2
- Wire strip length: 6-7mm
- Withstanding Voltage: 1.6KV
- Operating temperature: -40°C to +115°C
- Safety approval:

Dimension

Dim L	(N-1)x3.5+13.3
Dim A	Nx3.5+0.80
Dim B	(N-1)x3.5
Dim C	(N-1)x3.5+8.6

N = Number of poles

Poles	Tolerance
2p-6p	±0.10
7p-12p	±0.20
13p-18p	±0.30
19p-24p	±0.40

PART NO.: VM xx 15 x 2 00J0 G

Solid block	No. of poles	Color	RoHS compliant
0	2	Black (RAL9005)	(lead<4%) In copper Alloy
02	2	Red (RAL3001/D)	
03	3	Orange(RAL2011/P)	
...	...	Yellow(RAL1018/A)	
...	...	Green(RAL6018/T)	
24	24	Blue (RAL5015/A)	
		8 Grey(RAL7035/D)	
		9 White(RAL1102)	
		C Green(RAL6018/U)	

mat'l. code		surface ASME Y14.5	tolerance ASME Y14.5	projection 	product family TERMINAL BLOCK
ltr ecn no dr date		tolerances unless otherwise specified		MM	title TERMINAL BLOCK PLUGGABLE PLUG, WITH FLANGE
		angles $X \pm 0.5$		scale	dwg no sheet 1 of 1 size A4
		$X \pm 1$	$X.X \pm 0.3$		VMxx15x200J0G
		dr EVIN ZHONG 041914			type CUSTOMER Drawing
		enrg EVIN ZHONG 041914			
		chr HANKE FENG 041914			
		appd SHI JUN 041914			
sheet index	revision sheet	A	1		