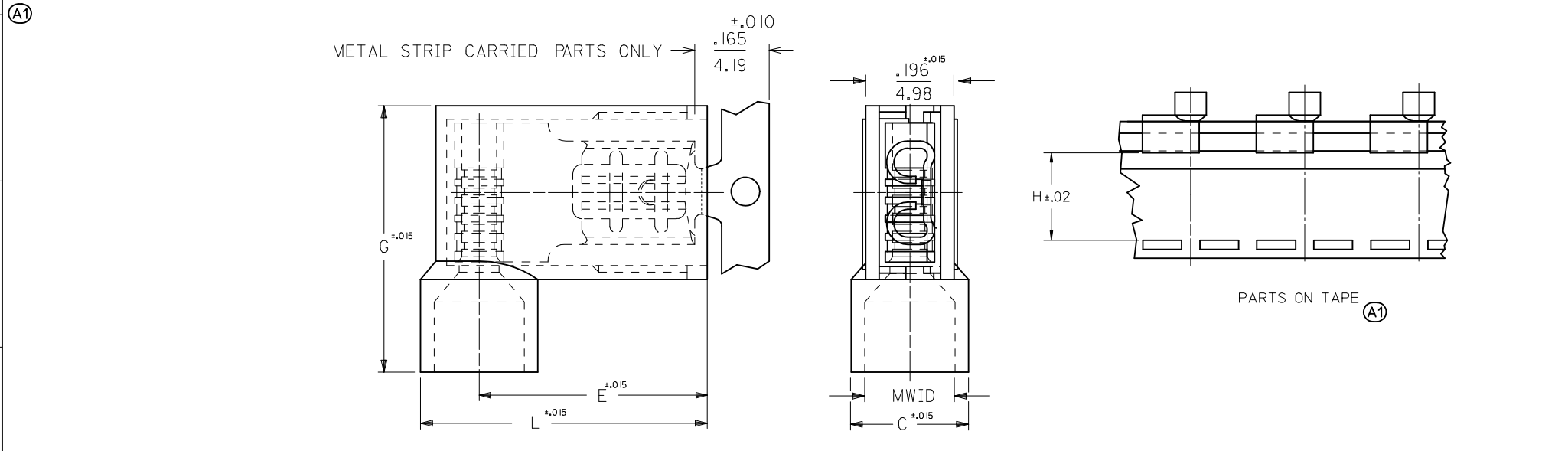


10		9		8		7		6		5		4		3		2		19007	
LOOSE PIECE		METAL STRIP CARRIED		MYLAR TAPE CARRIED		FEATURES				DIMENSIONS									
MATERIAL NUMBER	ENGINEERING NUMBER	MATERIAL NUMBER	ENGINEERING NUMBER	MATERIAL NUMBER	ENGINEERING NUMBER	AWG	COLOR	FITS TAB SIZE	MWID	L	G	E	C	H					
190070009	AA-2222	190070014	AA-2222Z	190070010	AA-2222T	22-18	RED	.187 x .020	.176/4.47	.630/16.00	.585/14.86	.512/13.00	.236/5.99	.93/23.6					
190070011	AA-2222X	190070013	AA-2222XZ	190070012	AA-2222XT	22-18	RED	.187 x .020	.240/6.10	.662/16.81	.625/15.88	.512/13.00	.300/7.62	.93/23.6					
190070015	AA-2223	190070020	AA-2223Z	190070016	AA-2223T	22-18	RED	.187 x .020	.176/4.47	.630/16.00	.585/14.86	.512/13.00	.236/5.99	.93/23.6					
190070017	AA-2223X	190070019	AA-2223XZ	190070018	AA-2223XT	22-18	RED	.187 x .020	.240/6.10	.662/16.81	.625/15.88	.512/13.00	.300/7.62	.93/23.6					
190070029	BB-2224	190070034	BB-2224Z	190070030	BB-2224T	16-14	BLUE	.187 x .032	.200/5.08	.630/16.00	.585/14.86	.500/12.70	.260/6.60	.93/23.6					
190070031	BB-2224X	190070033	BB-2224XZ	190070032	BB-2224XT	16-14	BLUE	.187 x .032	.265/6.73	.670/17.02	.625/15.88	.500/12.70	.325/8.26	.93/23.6					
190070035	BB-2225	190070039	BB-2225Z	190070036	BB-2225T	16-14	BLUE	.187 x .032	.200/5.08	.630/16.00	.585/14.86	.500/12.70	.260/6.60	.93/23.6					
190070037	BB-2225X	190070060	BB-2225XZ	190070038	BB-2225XT	16-14	BLUE	.187 x .032	.265/6.73	.670/17.02	.625/15.88	.500/12.70	.325/8.26	.93/23.6					



(A1) NOTES:
 1. MWID: MAX. WIRE INSULATION DIA.
 2. MATERIAL:
 HOUSING: NYLON
 TERMINAL: TIN PLATED BRASS.
 3. ASSEMBLY IS ROHS COMPLIANT.

REDRAWN, ADD PARTS EC NO: ICG2016-0913 DRWNG: G0JAS01 2015/12/17 CHKD: JMAGNEIL 2015/12/18 APPR: JMAGNEIL 2015/12/31	QUALITY SYMBOLS ▽=0 ▽=0	GENERAL TOLERANCES (UNLESS SPECIFIED)		DIMENSION STYLE		SCALE	DESIGN UNITS	THIRD ANGLE PROJECTION			
				IN/MM			INCH				
				DRAWN BY DATE		TITLE		FLAG QUICK DISCONNECT FULLY INSULATED .187X.020 &.032 TAB SIZE molex			
				CHECKED BY DATE		DOCUMENT NO.					
		APPROVED BY DATE		MATERIAL NO.		SD-19007-005		1 OF 1			
		ANGULAR ±1/2°		SEE CHART		THIS DRAWING CONTAINS INFORMATION THAT IS PROPRIETARY TO MOLEX INCORPORATED AND SHOULD NOT BE USED WITHOUT WRITTEN PERMISSION					
		DRAFT WHERE APPLICABLE MUST REMAIN WITHIN DIMENSIONS		SIZE B							