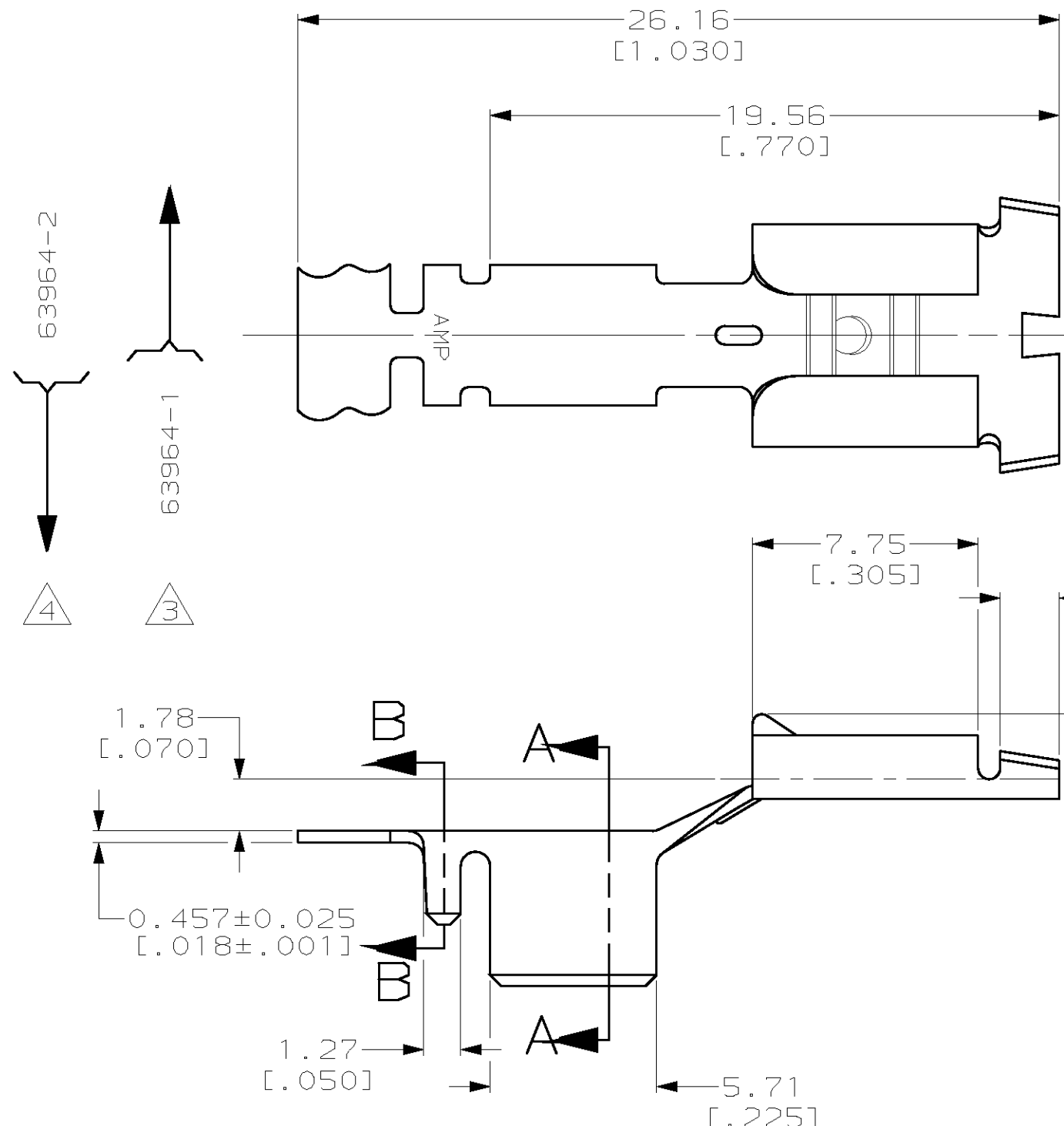
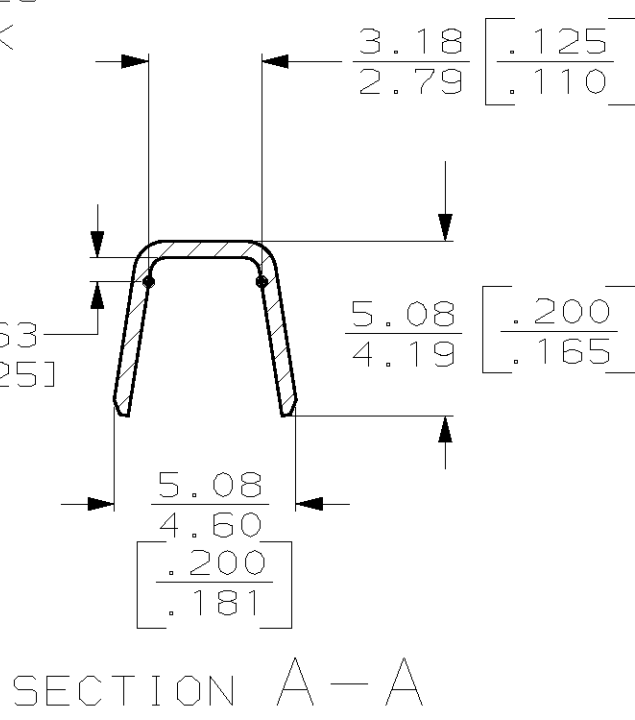
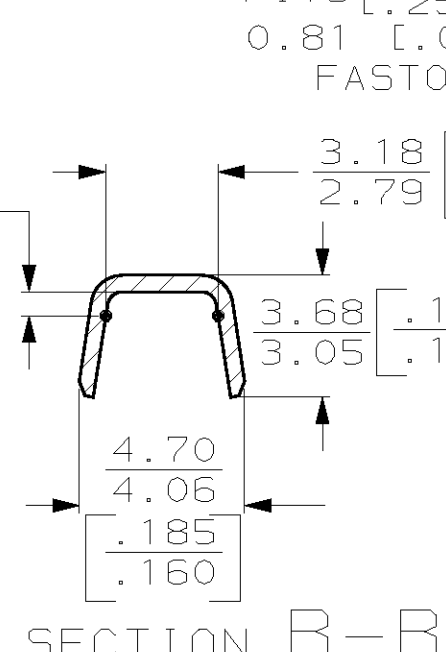
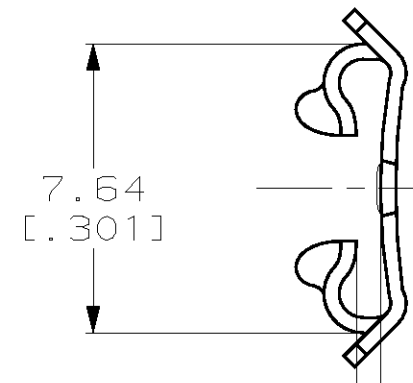


THIS DRAWING IS UNPUBLISHED. RELEASED FOR PUBLICATION ,19 .
 © COPYRIGHT 19 BY AMP INCORPORATED. ALL RIGHTS RESERVED.

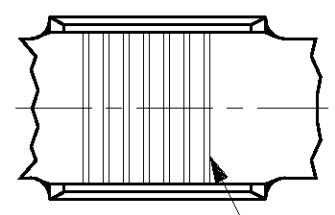
LOC	DIST	REVISIONS			
P	LTR	DESCRIPTION	DATE	DWN	APVD
AF	50	B	RELEASE PER FASR & 0L10-0510-97	05/JAN/98	PF DS



- 1 CONTINUOUS STRIP ON REEL.
- 2 CRIMP 3.94 [.155] F, AMPLIVAR PIGTAIL.



4	0.81	2800-7400 CMA	63964-2
3	[.032]		63964-1
REELING	MATING TAB THK ±.001	MAGNET WIRE RANGE	PART NUMBER



7 SERRATIONS

THIS DRAWING IS A CONTROLLED DOCUMENT.		DWN 21/MAY/97 PHILLIP M FORTNEY	AMP Incorporated Harrisburg, PA 17105-3608	
DIMENSIONS: mm [INCHES]		CHK 21/MAY/97 MICHAEL S FEHER	NAME	
TOLERANCES UNLESS OTHERWISE SPECIFIED: 0 PLC ±- 1 PLC ±- 2 PLC ±0.25 [.010] 3 PLC ±- 4 PLC ±- ANGLES ±-		APVD 21/MAY/97 DENNIS SCHWENK	STATOR RECEPTACLE, AMPLIVAR™	
MATERIAL 4M BRASS		PRODUCT SPEC -	SIZE A3	CAGE CODE 00779
FINISH 0.002032 [.000080] MIN PRE-TIN PER MIL-T-10727		APPLICATION SPEC 114-2128	DRAWING NO C-63964	RESTRICTED TO -
CUSTOMER DRAWING		WEIGHT -	SCALE 5:1	SHEET 1 OF 1