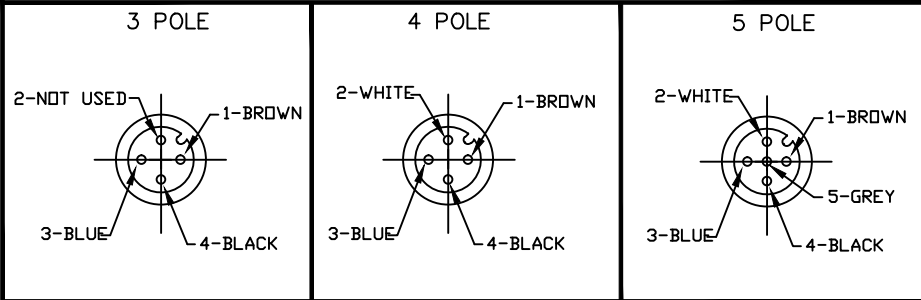


10 9 8 7 6 5 4 3 2 1

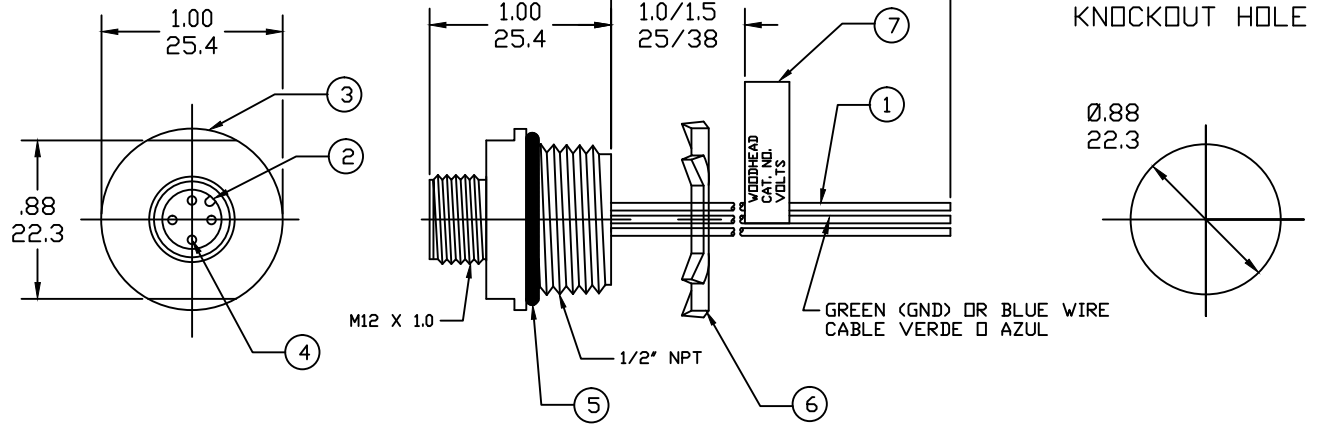
FRONT VIEW - MALE INSERT CONFIGURATION CHART



POLE	MATERIAL NO.	ENGINEERING NO.	FINISHED LENGTH
3	1200700090	8R3006A16M010	3'3" +2.19-0 (1M +55.6mm-0)
4	1200700175	8R4006A16A120	12.0" +.75-0 (.3M +19mm-0)
5	1200700250	8R5006A16M020	6'7" +3.50-0 (2M +88.9mm-0)

CONNECTOR SPECIFICATION:

VOLTAGE RATING 3 - 4 PIN	250V per IEC 60664
VOLTAGE RATING 5 PIN	60V per IEC 60664 250V per UL 2238
AMPERAGE RATING	4 AMPS
PROTECTION	IP67
OPERATING TEMPERATURE	-20°C TO 80°C
UL CERTIFICATIONS	UL LISTED, FILE NO. E152210
CSA CERTIFICATIONS	CSA CERTIFIED, FILE NO. LR6837



ITEM	COMPONENT	MATERIAL	FINISH
7	LABEL	MYLAR	BLACK/YELLOW
6	LOCKNUT	STEEL	ZINC PLATED
5	O-RING	VITON	BLACK
4	CONTACT SOCKET	COPPER ALLOY	GOLD OVER NICKEL
3	SHELL FEMALE M12x1	ALUMINUM	BLACK ANODIZED
2	MALE INSERT	NYLON	BLACK
1	CONDUCTOR- 18 AWG 3-5 CONDUCTOR 300V	PVC	SEE WIRING DIAGRAMM

NEW SALES DOC EC NO: IPG2017-0318 DRWN: BBRAUCH 2016/09/21 CHKD: RSILLER 2016/09/21 APPR: RSILLER 2013/02/07	DESCRIPTION REV	QUALITY SYMBOLS $\nabla=0$ $\nabla C=0$	GENERAL TOLERANCES (UNLESS SPECIFIED)	DIMENSION STYLE INCH/MM	SCALE ---	DESIGN UNITS INCH	THIRD ANGLE PROJECTION
		4 PLACES ±--- ±---	mm INCH	DRAWN BY DATE RSTONE 2012/11/07	TITLE MICRO-CHANGE RECEPTACLE 3-5 POLE MALE #18/3-5 AWG PVC WIRE		
		3 PLACES ±--- ±---	±--- ±.01	CHECKED BY DATE K JOZWIK 2012/11/28	MOLEX INCORPORATED SD-120070-044		
		2 PLACES ±--- ±.01	±.03 ±---	APPROVED BY DATE JFMURPHY 2013/02/07			
1 PLACE ±0.3 ±---	ANGULAR ±2°	DRAFT WHERE APPLICABLE MUST REMAIN WITHIN DIMENSIONS	SEE CHART	DOCUMENT NO.	SHEET NO.		
A2	REV	SIZE B	THIS DRAWING CONTAINS INFORMATION THAT IS PROPRIETARY TO MOLEX INCORPORATED AND SHOULD NOT BE USED WITHOUT WRITTEN PERMISSION				

10 9 8 7 6 5 4 3 2 1