

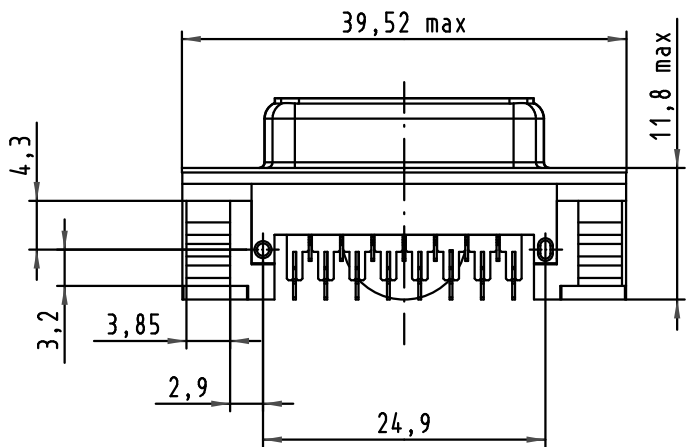
1 2 3 4 5 6

A

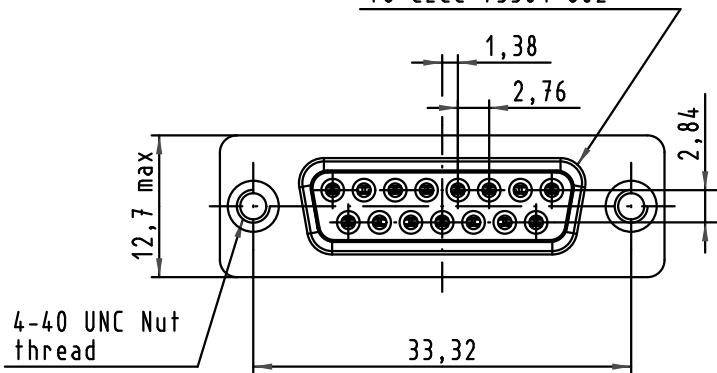
B

C

D



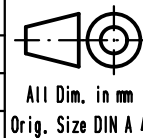
Mating face according to CECC 75301-802



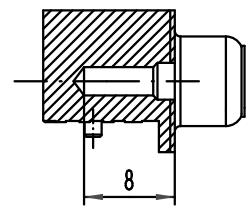
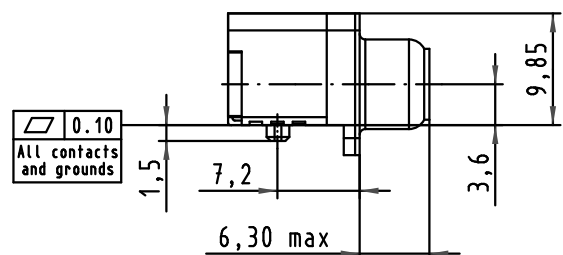
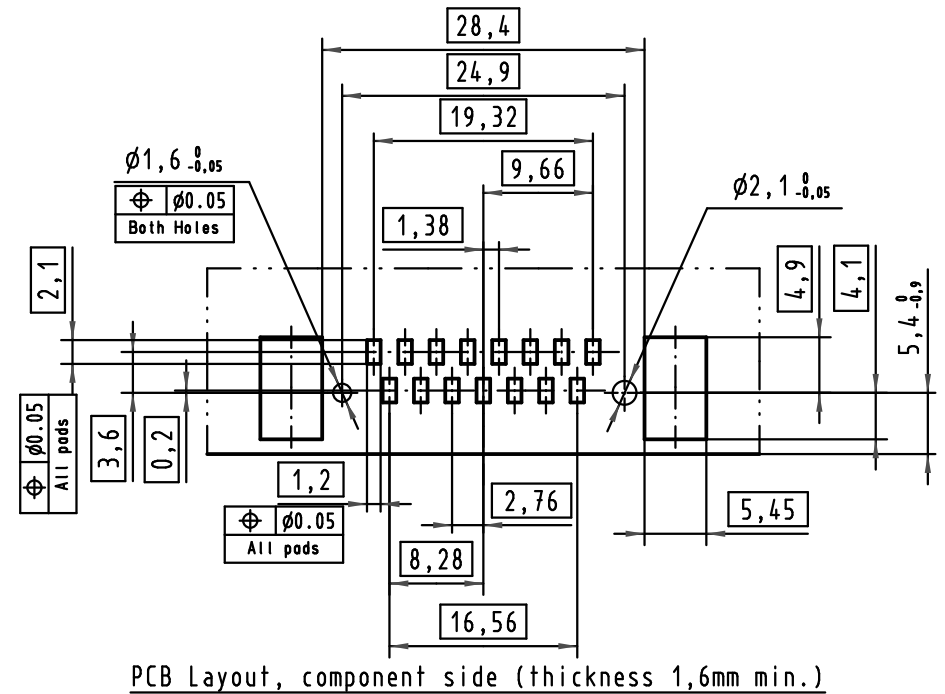
Max. Temperature: 260°C during 10 seconds

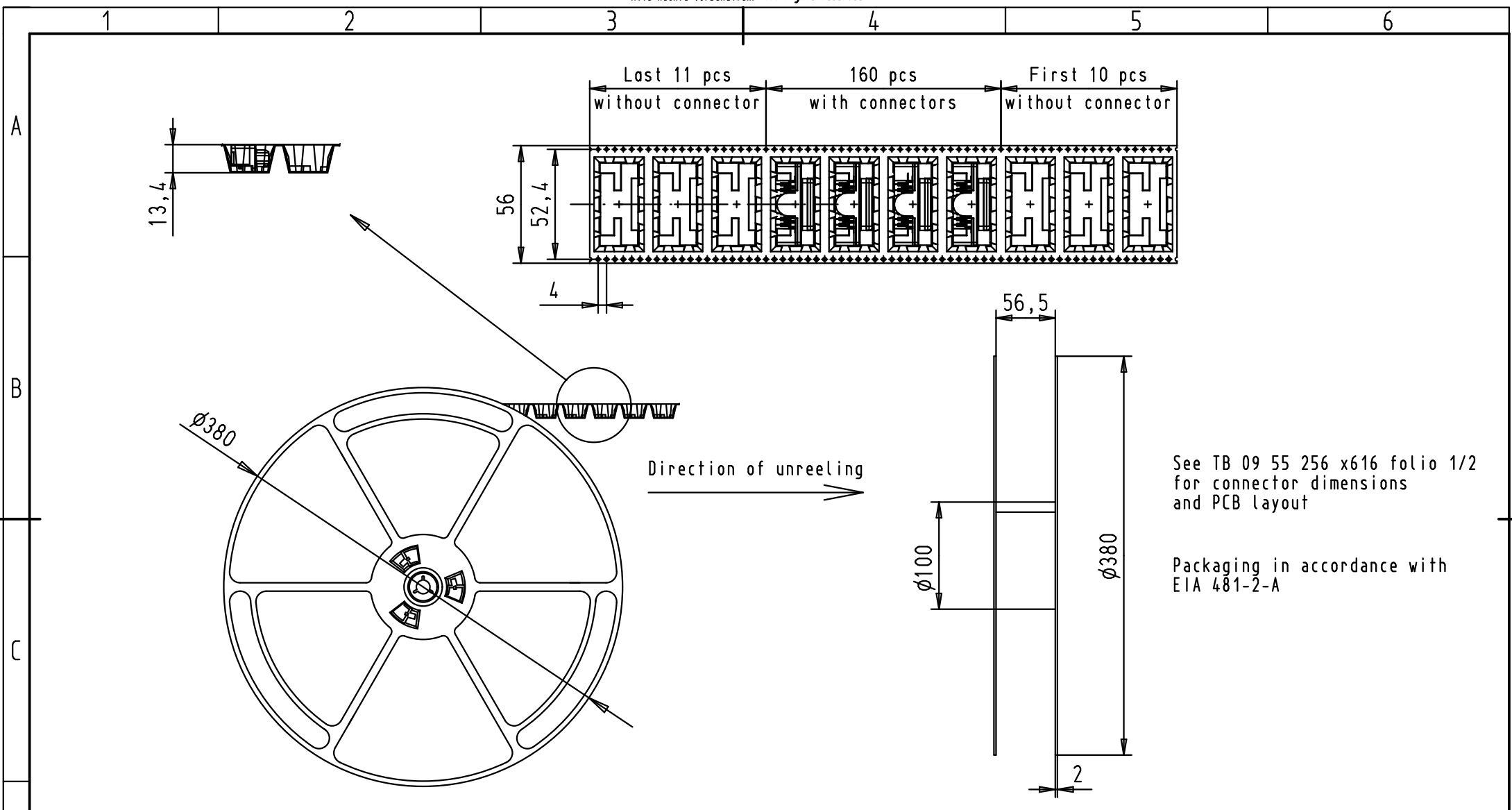
09552563616.741	1	4-40 UNC	Black Insulator	Reel Packaging (160 connectors) see page 2/2
09552566616.741	2			
09552567616.741	3			
Part number	PL	Thread	Index designation	

				Dot.	Name
				Detail.	29Sep2009 LP
				Insp.	
				Stand.	
EC01257	25Jan2010	ED	HARTING EURL F-95972 Paris		
EC00385	29/09/2009	LP			
Mod.	Dot.	Name			



D-SUB SMT Low Profile Female 15p with die casted grounds and 4-40 UNC nuts		Maßstab/ Scale 1,5:1
TB 09 55 256 x616		Blatt/ Page 1/2
Sub.		





See TB 09 55 256 x616 folio 1/2 for connector dimensions and PCB layout

Packaging in accordance with EIA 481-2-A

								Dot.		Name		 All Dim. in mm Orig. Size DIN A 4		D-SUB SMT Low Profile Female 15p with die casted grounds and 4-40 UNC nuts		Maßstab/ Scale					
								Detail.		17Jul2006						ED					
								Insp.													
								Stand.													
09552563616.741		1		4-40 UNC		Black Insulator		Reel Packaging (160 connectors)		EC01257		25Jan2010		ED		HARTING EURL F-95972 Paris		TB 09 55 256 x616		Blatt/ Page	
09552566616.741		2								EC01078		09Nov2009		LP						2	
09552567616.741		3																		2	
Part number		PL		Thread		Index designation		Mod.		Dot.		Name		Sub.							

