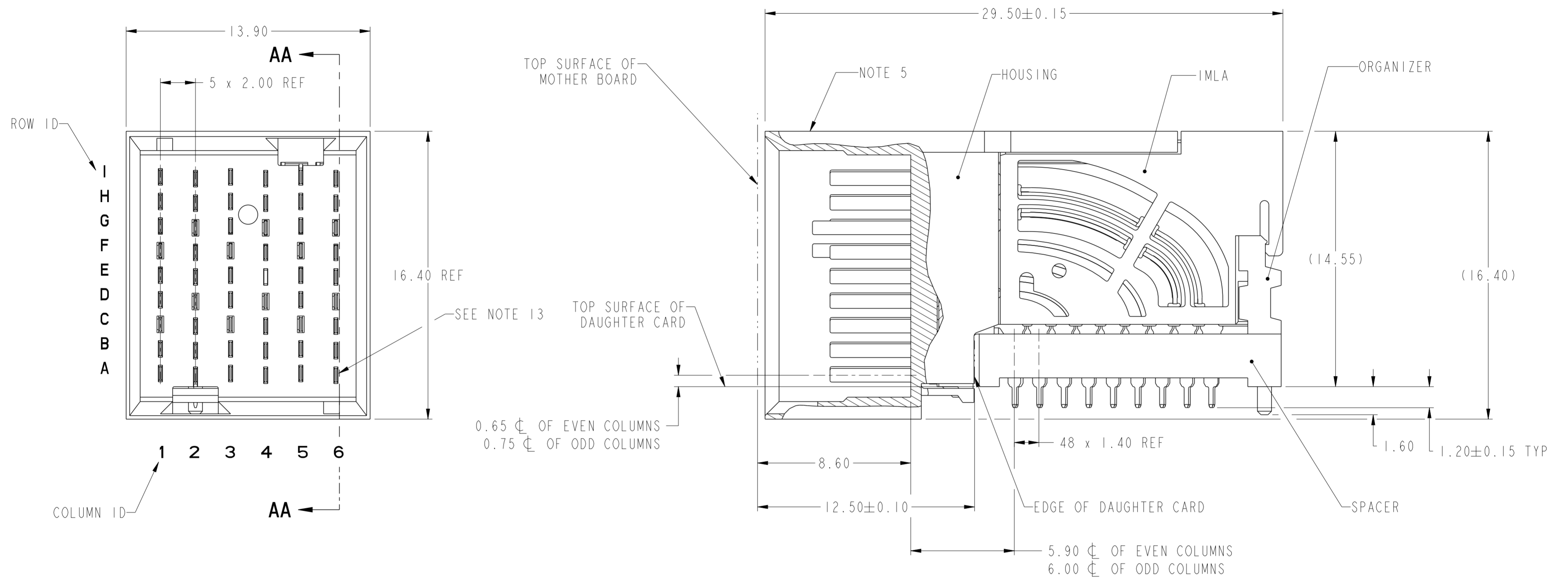


PRODUCT NUMBER
SEE SHEET 3



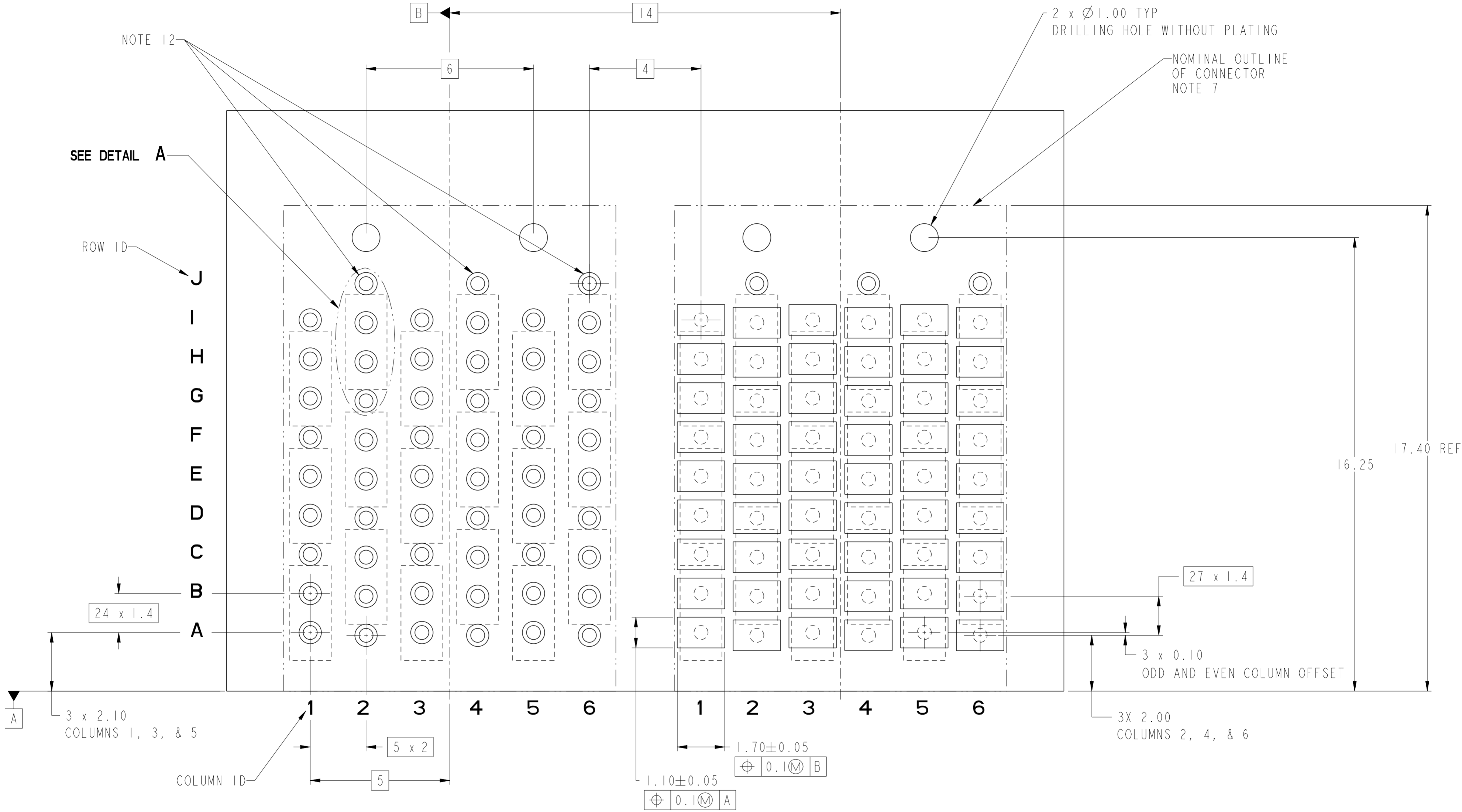
SECTION AA-AA

spec ref	---	dr	Tao Zhan	2014/04/08	projection	MM	size	A2	scale	6:1
tolerance std	ASME Y14.5M	eng	Jeny Ren	2015/04/07			ecn no	ELX-DG-20091-1	rel level	Released
TOLERANCES UNLESS OTHERWISE SPECIFIED		chr	-	app			Collins Lu	2015/04/07		product family
surface		linear	0.X	±.3		FCI title AirMax VS2 R.A. HEADER 3 Pair, 54 pos, 2mm, 6Col, PIP	cat. no.	Product - Customer Drw	sheet 1 of 3	rev D
			0.XX	±.10						
			0.XXX	±.050						
		angular	0°	±2°	www.fci.com					

PDS: Rev :D

STATUS:Released

Printed: Apr 08, 2015



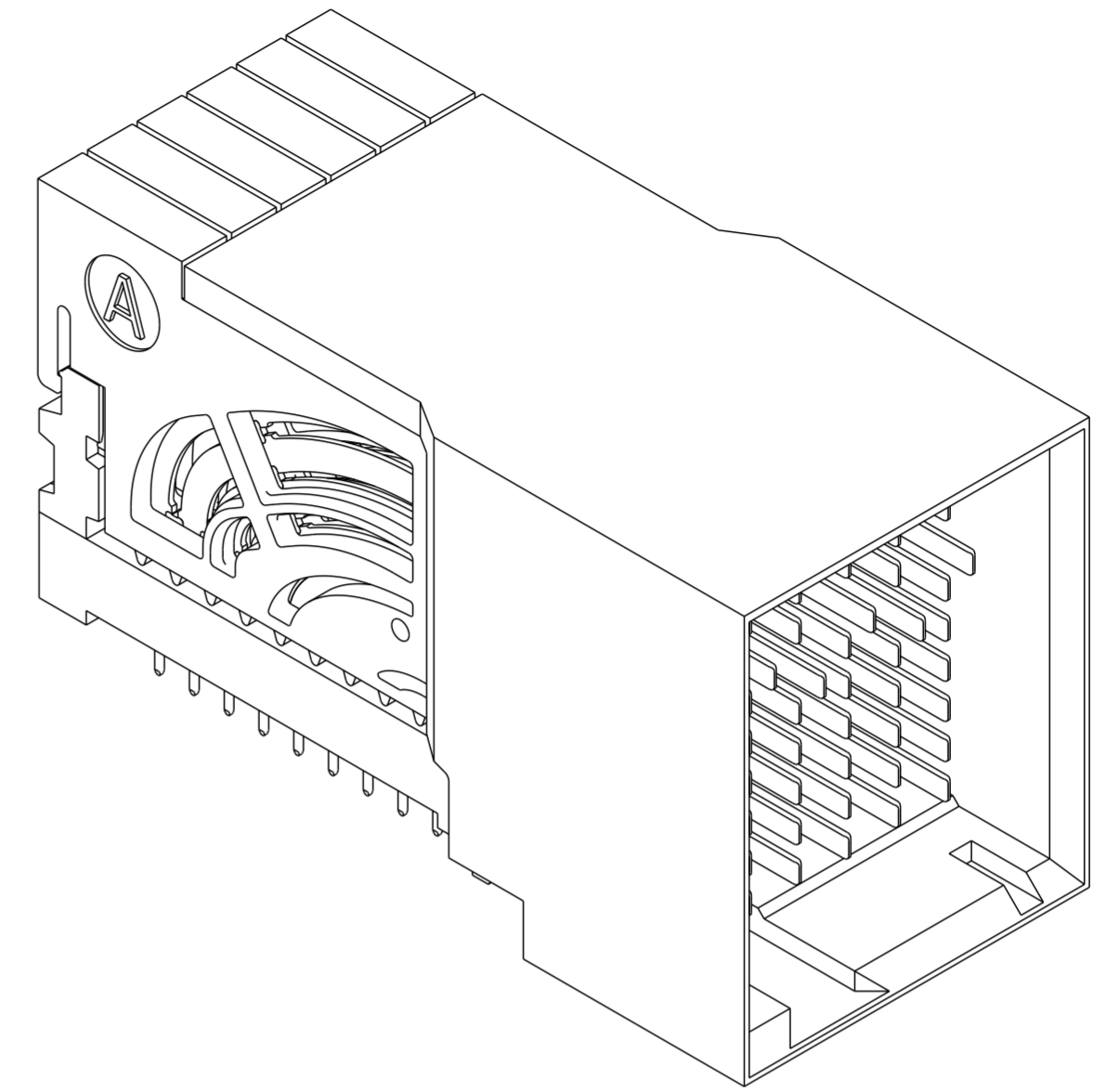
RECOMMENDED PASTE SCREEN LAYOUT
 PCB THICKNESS: 2.1+/-0.05MM
 STENCIL THICKNESS 0.20MM

spec ref	---	dr	Tao Zhan	2014/04/08	projection	MM	size	A2	scale	8:1
tolerance std	ASME Y14.5M	eng	Jeny Ren	2015/04/07			ecn no	ELX-DG-20091-1	rel level	Released
TOLERANCES UNLESS OTHERWISE SPECIFIED		chr	-	appr						
surface	✓	linear	0.X	±.3		title AirMax VS2 R.A. HEADER 3 Pair, 54 pos, 2mm, 6Col , PIP	dwg no 10127714	rev D	cat. no. -	Product - Customer Drw
			0.XX	±.10						
			0.XXX	±.050						
		angular	0°	±2°	www.fci.com				sheet 2 of 3	

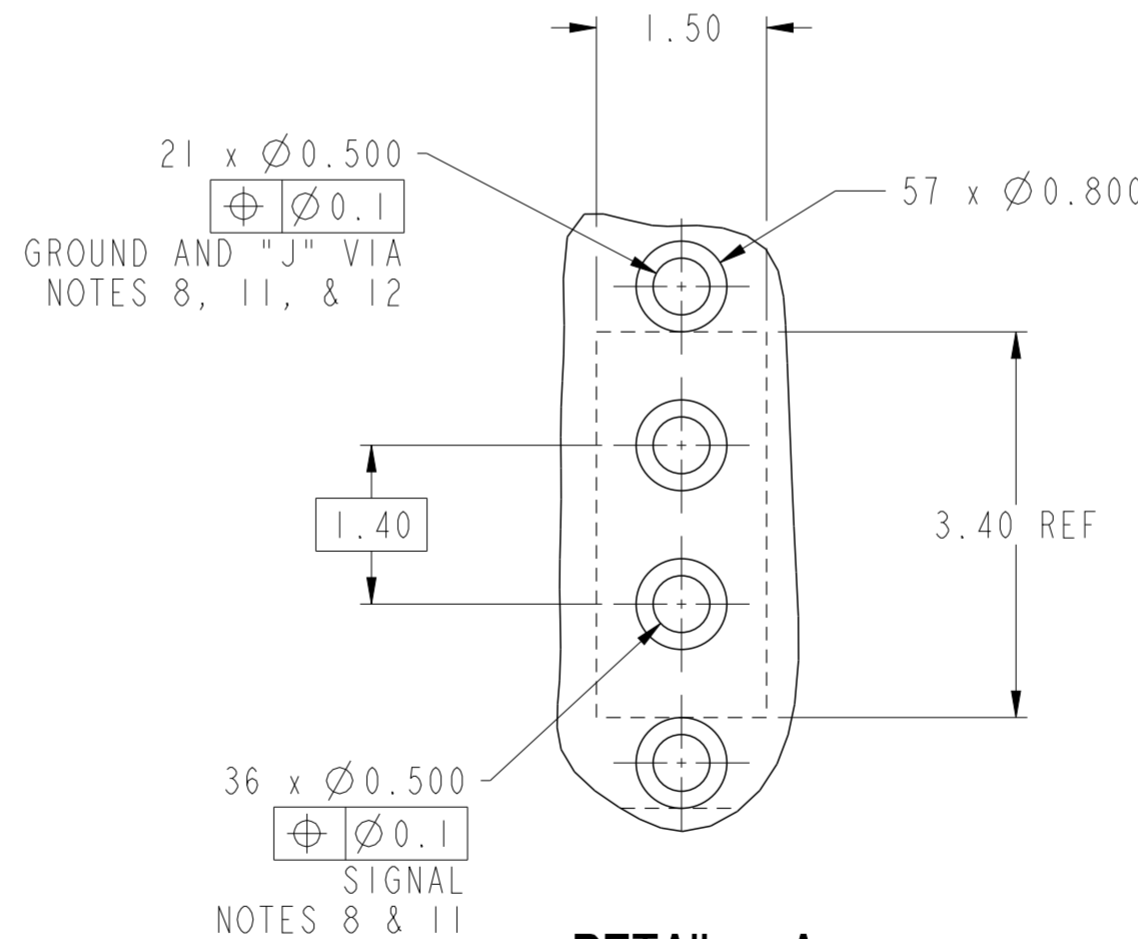
Copyright FCI.

PRODUCT NUMBER	PRESS-FIT TAIL PLATING TYPE	SHORT DETECT CONTACT
10127714-101LF	TIN OVER NICKEL (LEAD FREE)	NO
10127714-111LF	TIN OVER NICKEL (LEAD FREE)	YES (SEE NOTE 13)

- 1 - CONNECTOR MATERIALS:
HOUSING: HIGH TEMP THERMOPLASTIC, NATURAL, UL94-V0
IMLA PLASTIC: HIGH TEMP THERMOPLASTIC, BLACK, UL94-V0
CONTACT: COPPER ALLOY
ORGANIZER: HIGH TEMP THERMOPLASTIC, NATURAL, UL94-V0
SPACER: HIGH TEMP THERMOPLASTIC, NATURAL, UL94-V0
- 2 - CONTACT PLATING:
SEPARABLE INTERFACE:
PERFORMANCE-BASED PLATING, QUALIFIED TO MEET THE REQUIREMENTS OF FCI PRODUCT SPECIFICATION GS-12-0956 INCLUDING TELCORDIA GR-1217-CORE (NOVEMBER 2008) CENTRAL OFFICE TEST SEQUENCE
- PIP TAILS: SEE TABLE
- 3 - PRODUCT SPECIFICATION: GS-12-0956
- 4 - APPLICATION SPECIFICATION: GS-20-0305
- 5 - PRODUCT MARKING, (PROTOTYPE, PART NUMBER & LOT CODE), ON THIS SURFACE.
- 6 - POSITIONS "F" OF ODD NUMBERED COLUMNS AND POSITIONS "G" OF EVEN NUMBERED COLUMNS CORRESPOND TO EARLY MATE HEADER PINS.
- 7 - CONNECTOR OUTLINE MAY BE SCREEN PRINTED ONTO CUSTOMER PCB TO BE USED AS A GUIDE FOR CONNECTOR PLACEMENT.
- 8 - REFER TO CUSTOMER DRAWING 10104444 FOR INFORMATION ON PCB HOLE DIAMETERS AND PLATING OPTIONS
- 9 - LEAD FREE PRODUCT MEETS THE EUROPEAN UNION DIRECTIVES & OTHER COUNTRY REGULATIONS AS DESCRIBED IN GS-22-008
- 10 - PACKAGING MEETS GS-14-920 LEAD FREE LABELING SPECIFICATION.
- 11 - GROUND CONTACTS (C, F, & I IN ODD COLUMNS AND A, D, & G IN EVEN COLUMNS) REQUIRE ($\varnothing 0.500$) FINISHED HOLES. SIGNAL LOCATIONS REQUIRE ($\varnothing 0.500$) FINISHED HOLES
- 12 - THESE OUTER VIAS (J) ARE OPTIONAL. WHILE NO CONNECTOR TAILS INTO THESE HOLES WE RECOMMEND ($\varnothing 0.500$) FINISHED HOLES AT THESE LOCATIONS TO PROVIDE GROUND SYMMETRY THROUGH THE PCB.
- 13 - MATING PIN A6 HAS 0.5mm LESS NOMINAL WIPE THAN THE SHORTEST PIN.
- 14 - A \triangle SYMBOL WILL BE NEXT TO ANY DIMENSION, VIEW, OR NOTE, WHICH HAS BEEN MODIFIED WITH THE CURRENT DRAWING REVISION



10127714-101LF



DETAIL A
SCALE 15:1

spec ref	---	dr	Tao Zhan	2014/04/08	projection	MM	size	A2	scale	5:1	
tolerance std	ASME Y14.5M	eng	Jeny Ren	2015/04/07	chr	-	ecn no	ELX-DG-20001-1	rel level	Released	
TOLERANCES UNLESS OTHERWISE SPECIFIED		appr	Collins Lu	2015/04/07	product family	AirMax VSE	rel level	Released	cat. no.	10127714	
surface	✓	linear	0.X	±.3	0.XX	±.10	0.XXX	±.050	angular	0°	±2°
FCI		www.fci.com		title		AirMax VS2 R.A. HEADER		3 Pair, 54 pos, 2mm, 6Col, PIP		rev	D
PDS: Rev :D		STATUS: Released		Printed: Apr 08, 2015		Product - Customer Drw		sheet 3 of 3			