

PRODUCT NUMBER

71978-YXXLF

RoHS COMPATIBLE, SEE NOTE 12

LATCHING  
 0= WITHOUT LATCH  
 1= STANDARD LATCH  
 2= LOW PROFILE LATCH

TOTAL NUMBER OF POSITIONS	
06	26
08	34
10	40
14	44
16	50
18	60
20	64

NOTES:

- HOUSING MAT'L : GLASS FILLED THERMOPLASTIC. UL94V-0 COLOR: BLUE
- PIN MATERIAL : PHOSPHOR BRONZE
- 0.76µm GOLD/GXT (PdNi WITH GOLD FLASH) ON CONTACT AREA  
2µm MIN MATTE TIN ON TAIL.  
UNDERPLATE : 1.27µm Ni MIN
- PRODUCT PACKED IN TUBES
- 40N MIN LATCH RETENTION FORCE AT FIRST EXTRACTION
- TO DETERMINE DIMENSIONS :  
N = NUMBER OF POSITIONS PER ROW  
EXAMPLE : 8 POS N x 2.54 = 20.32mm
- NO CENTRAL SLOT ON POSITIONS 6 & 8
- NO LEFT POLARIZATION ON POSITIONS 06, 08, 10, 14.
- NO GROOVE ON POSITIONS 06, 08, 10, 14, 30, 34
- RETENTION LEGS LOCATED IN THE CENTER OF THE CONNECTOR
- MARKING : XX = YEAR CODE  
YY = WEEK NUMBER
- RoHS COMPATIBLE PRODUCT SPECIFICATIONS

a - PLATING:

- "LF" MEANS THE PRODUCT IS LEAD-FREE,  
2µm MINIMUM MATTE TIN OVER 1.27µm  
MINIMUM NICKEL UNDERPLATE.

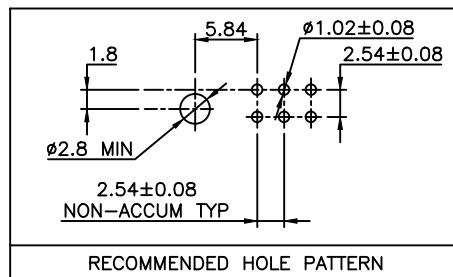
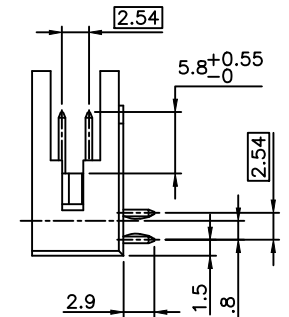
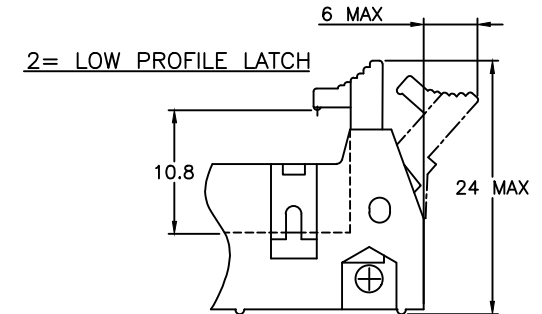
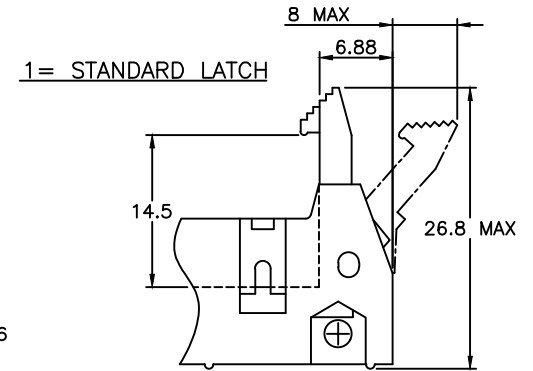
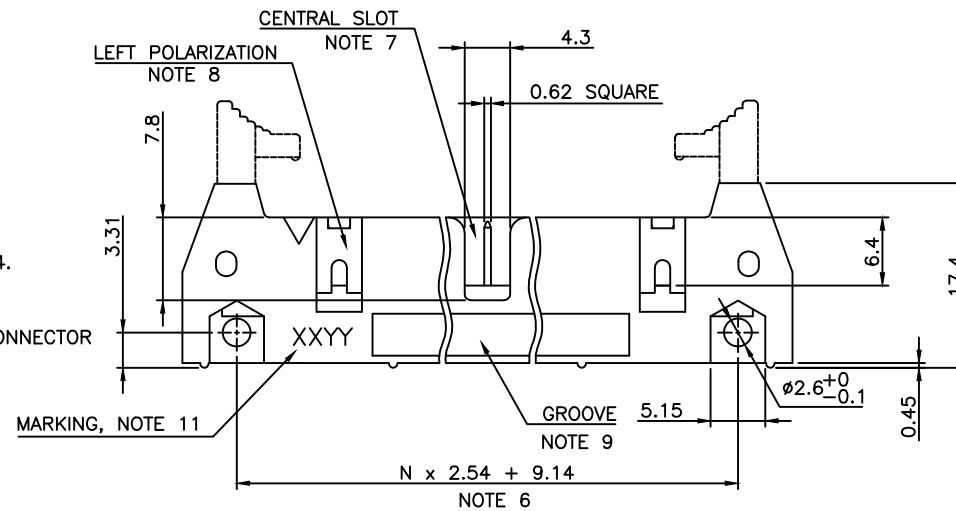
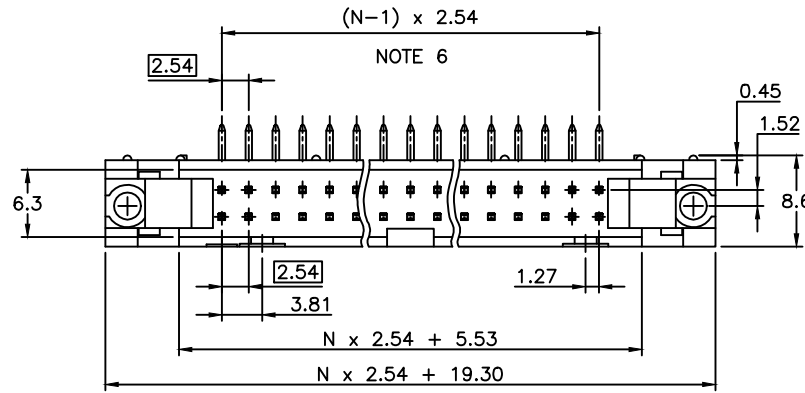
b - MANUFACTURING PROCESS COMPATIBILITY

- THE HOUSING WILL WITHSTAND EXPOSURE TO  
260°C ±5°C SOLDER BATH TEMPERATURE FOR  
5 SECONDS IN A WAVE SOLDER APPLICATION  
WITH A 1.6mm MIN THICK CIRCUIT BOARD.

c - LABELING:

- MEETS PACKAGING SPECS AS PER GS-14-920

d - LEGAL STATEMENT: SEE GS-47-0004



mat'l. code		surface		tolerance		projection		product family	
SEE NOTES		ISO 1302		ISO 406 ISO 1101		mm		QUICKIE	
ltr	ecn no	dr	date	tolerances unless otherwise specified		mm		title	
H	B-16860	LMU	14.01.27	angles	linear	scale 2:1		SHR.EL.HEADER	
J	B-19093	LMU	14.10.16					R.A, RETENTION LEGS	
D	F04-0389	JCO	04.12.22	dr	O.MATHEVON			sheet 1 of 1 size	
E	F06-0229	LMU	06.07.17	enfr	JM.PHAMVAN			71978 A3	
F	F07-0195	LMU	07.05.25	chr	L.MULIN			type CUSTOMER Drawing	
G	F08-0146	YOY	08.04.11	appd	JCO				
sheet index	revision sheet								



Copyright FCJ