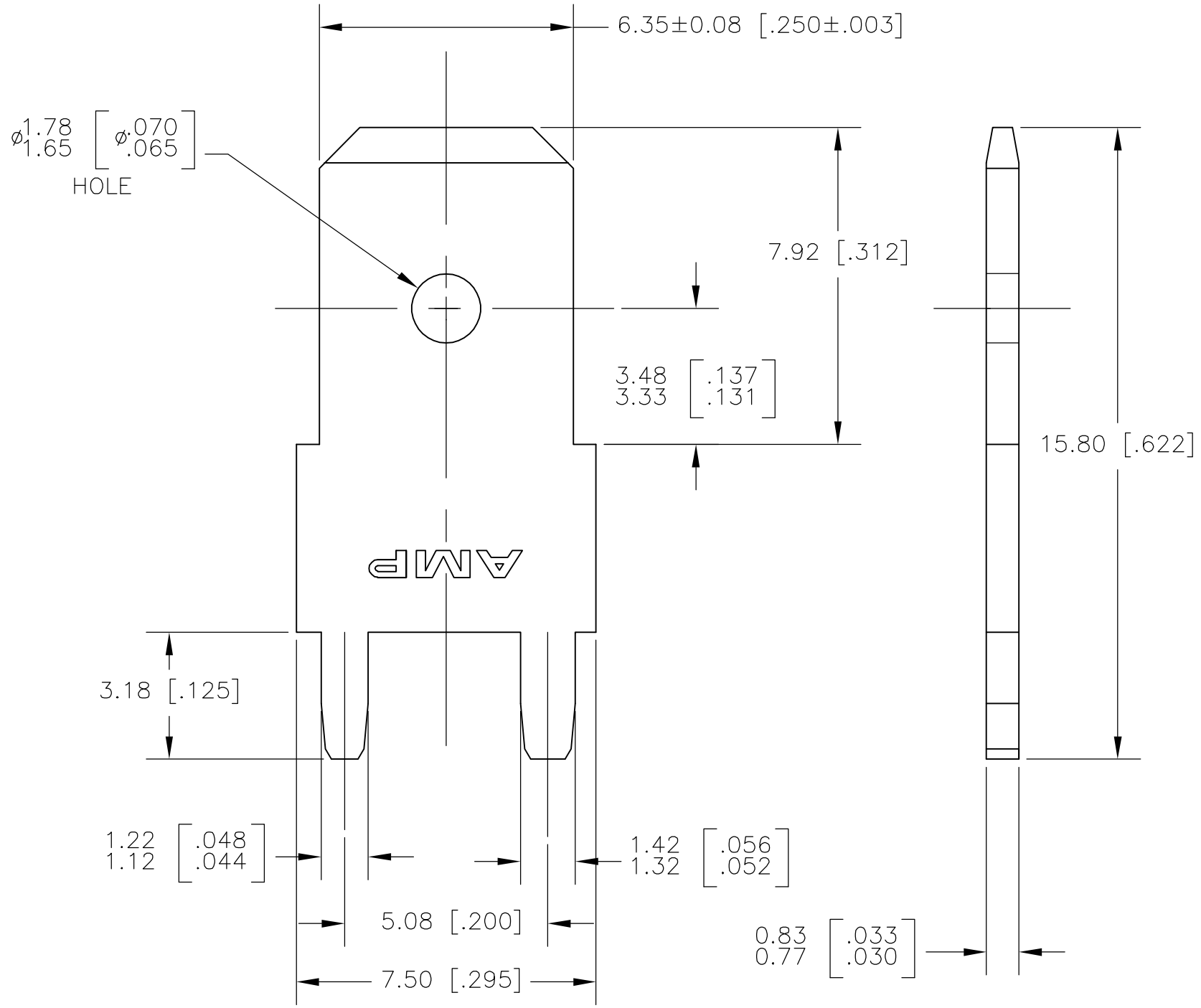


THIS DRAWING IS UNPUBLISHED. RELEASED FOR PUBLICATION -,-
 © COPYRIGHT BY TYCO ELECTRONICS CORPORATION. ALL RIGHTS RESERVED.

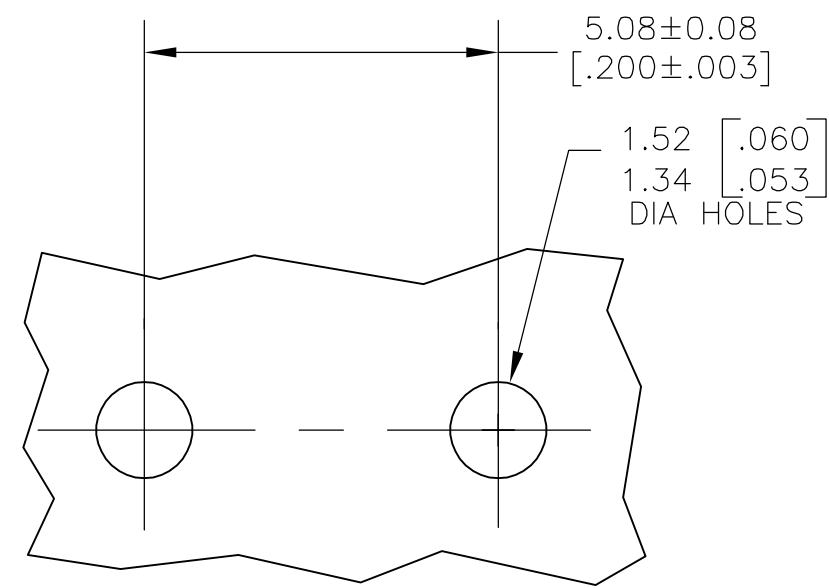
LOC	DIST	REVISIONS			
P	LTR	DESCRIPTION	DATE	DWN	APVD
AF	50	D	REV PER ECR-05-017407	11APR06	HMR KR

D

D



1 SUPPLIED IN LOOSE PIECE.
 2 0.00381 [.000150] MIN TIN OVER
 0.00254 [.000100] MIN THK COPPER.



P.C. BOARD HOLES
 SCALE 10:1

C

C

B

B

A

A

1217056-1
 PART NUMBER

THIS DRAWING IS A CONTROLLED DOCUMENT.		DWN JR RUTH 20MAR01	Tyco Electronics Corporation Harrisburg, PA 17105-3608	
DIMENSIONS: mm [INCHES]		CHK MS FEHER 20MAR01		
TOLERANCES UNLESS OTHERWISE SPECIFIED:		APVD N DEIBERT 20MAR01	NAME TAB, FASTON, PC BOARD, 6.35 [.250] SERIES	
0 PLC ± - 1 PLC ± - 2 PLC ± 0.38 [.015] 3 PLC ± - 4 PLC ± - ANGLES ± -		PRODUCT SPEC -	RESTRICTED TO -	
MATERIAL 082 BRASS	FINISH 2	APPLICATION SPEC -	SIZE A3	CAGE CODE 00779
		WEIGHT -	DRAWING NO C-1217056	
CUSTOMER DRAWING			SCALE 8:1	SHEET 1 OF 1
			REV D	