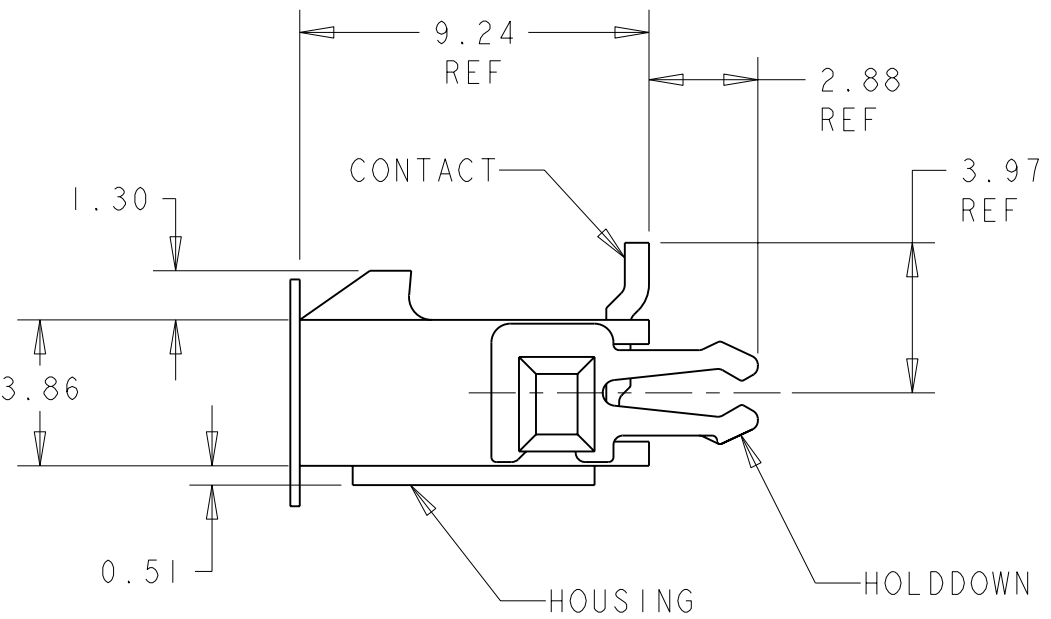
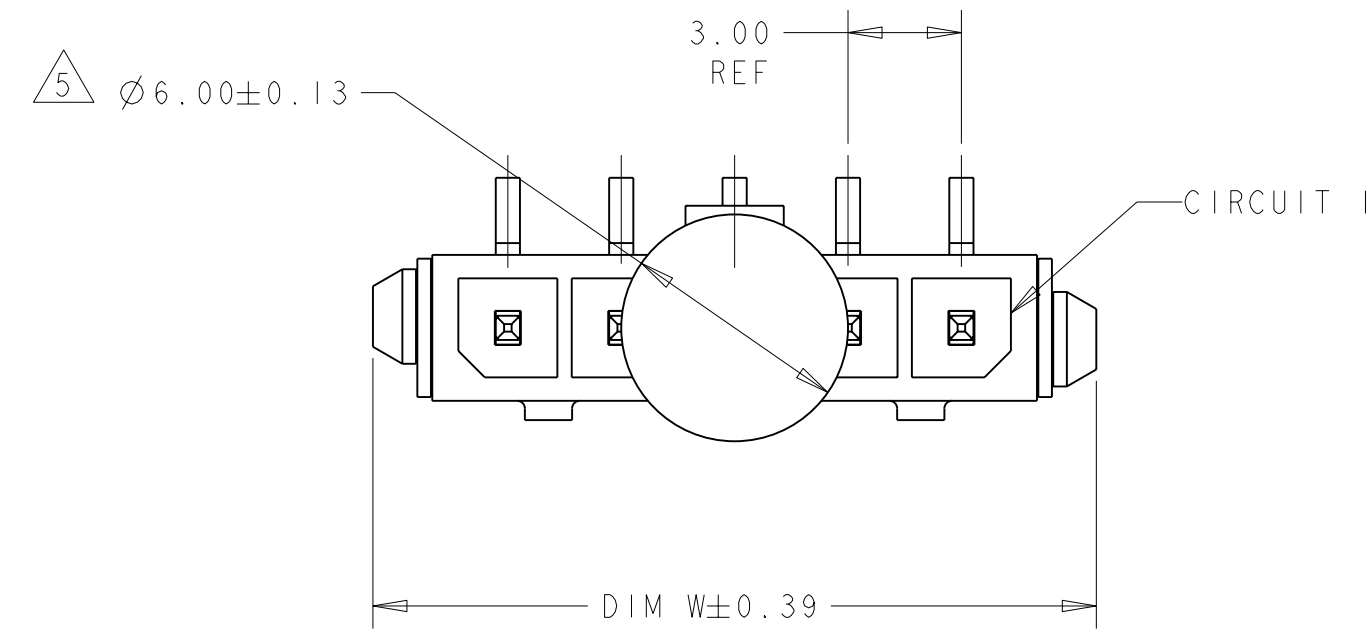
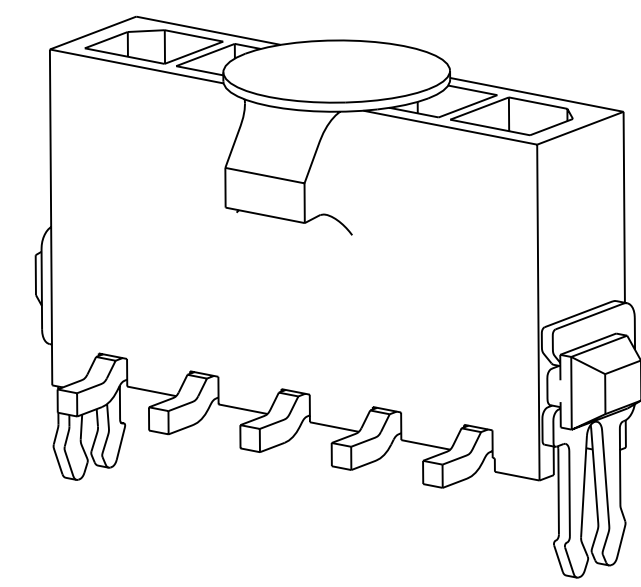
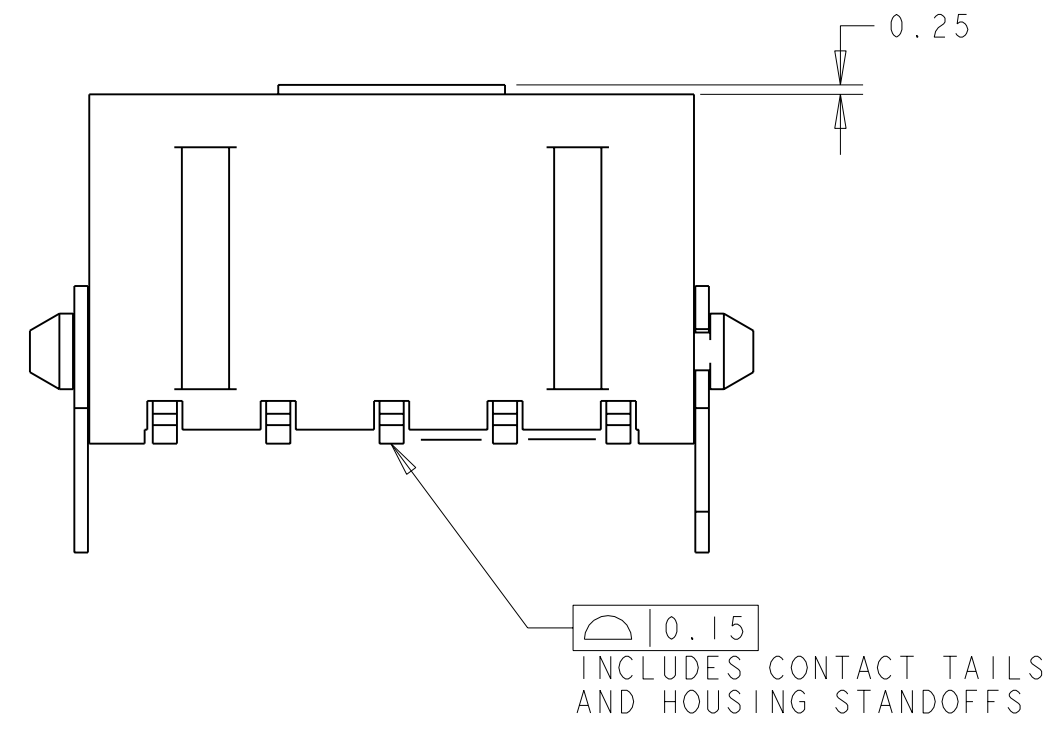


THIS DRAWING IS UNPUBLISHED. RELEASED FOR PUBLICATION .19
 © COPYRIGHT 19 BY AMP INCORPORATED. ALL RIGHTS RESERVED.

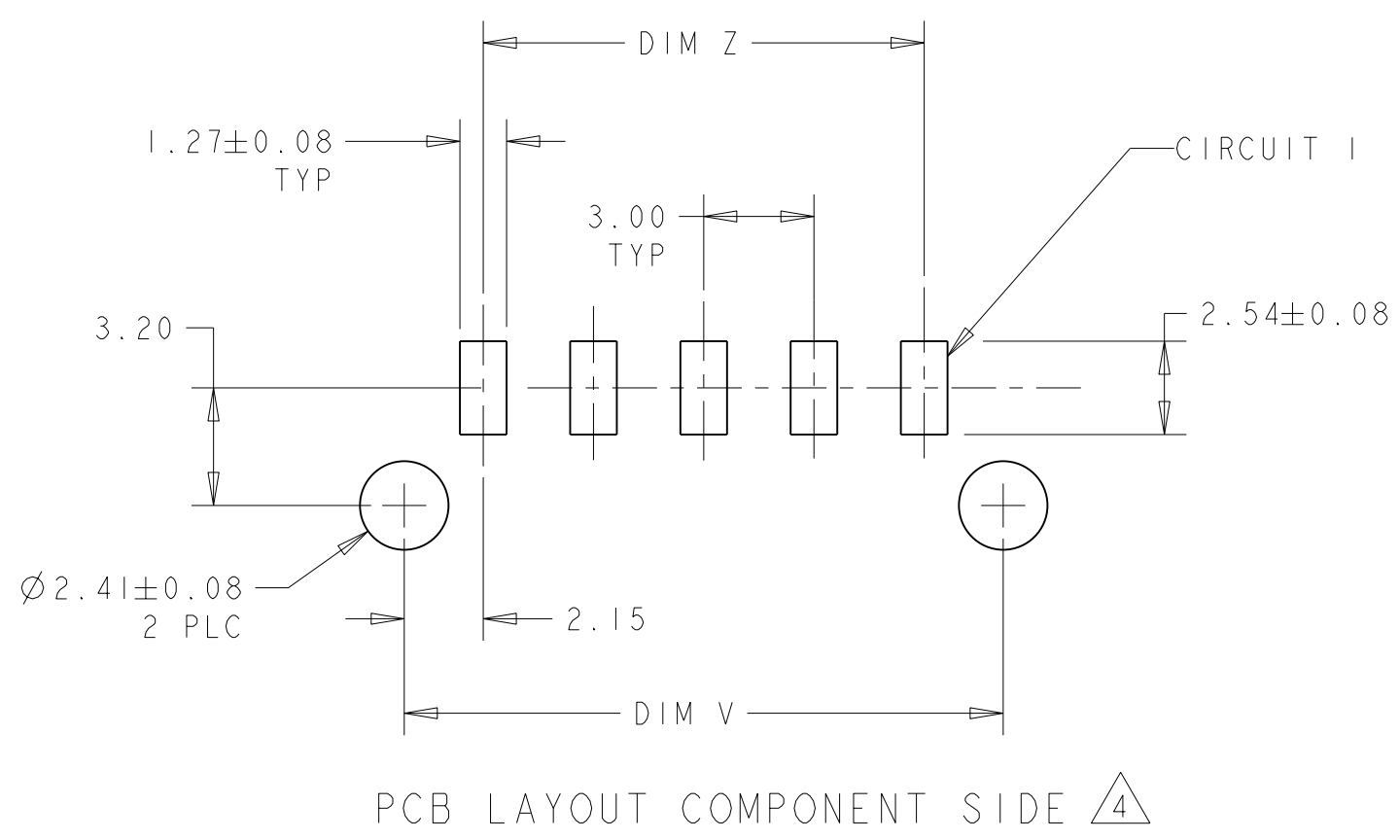
LOC		DIST		REVISIONS			
P	LTR	DESCRIPTION	DATE	DWN	APVD		
	B	REVISED PER 0G3B-0204-05	23APR05	KW	CJ		



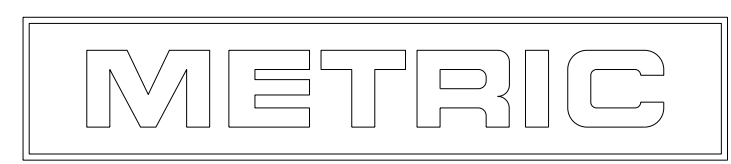
- 1 MATERIAL: CONTACTS - BRASS
HOUSING - UL 94V-0 RATED HIGH TEMP NYLON, COLOR BLACK.
HOLDDOWNS: - PHOSPHOR BRONZE.
- 2 PLATING: CONTACTS - 2.54µm MINIMUM TIN-LEAD OVER 1.27µm MINIMUM NICKEL.
HOLDDOWNS: 2.54µm MINIMUM TIN-LEAD OVER 1.27µm MINIMUM NICKEL.
- 4 RECOMMENDED PC BOARD THICKNESS OF 1.57.
- 5 KAPTON VACUUM PICK UP BUTTON.
- 6 PLATING: CONTACTS - 2.54µm MINIMUM MATTE TIN OVER 1.27µm MINIMUM NICKEL.
HOLDDOWNS: 2.54µm MINIMUM MATTE TIN OVER 1.27µm MINIMUM NICKEL.



FINISH	DIM Z	DIM V	DIM W	NO. OF POSN	PART NUMBER
6	33.00	37.43	40.00	12	3-1445052-2
6	30.00	34.43	37.00	11	3-1445052-1
6	27.00	31.43	34.00	10	3-1445052-0
6	24.00	28.43	31.00	9	2-1445052-9
6	21.00	25.43	28.00	8	2-1445052-8
6	18.00	22.43	25.00	7	2-1445052-7
6	15.00	19.43	22.00	6	2-1445052-6
6	12.00	16.43	19.00	5	2-1445052-5
6	9.00	13.43	16.00	4	2-1445052-4
6	6.00	10.43	13.00	3	2-1445052-3
6	3.00	7.43	10.00	2	2-1445052-2
2	33.00	37.43	40.00	12	1-1445052-2
2	30.00	34.43	37.00	11	1-1445052-1
2	27.00	31.43	34.00	10	1-1445052-0
2	24.00	28.43	31.00	9	1445052-9
2	21.00	25.43	28.00	8	1445052-8
2	18.00	22.43	25.00	7	1445052-7
2	15.00	19.43	22.00	6	1445052-6
2	12.00	16.43	19.00	5	1445052-5
2	9.00	13.43	16.00	4	1445052-4
2	6.00	10.43	13.00	3	1445052-3
2	3.00	7.43	10.00	2	1445052-2



PCB LAYOUT COMPONENT SIDE 4



THIS DRAWING IS A CONTROLLED DOCUMENT FOR AMP INCORPORATED. IT IS SUBJECT TO CHANGE AND THE CONTROLLING ENGINEERING ORGANIZATION SHOULD BE CONTACTED FOR THE LATEST REVISION.		DWN J. ROOT 07OCT2000	AMP Tyco Electronics Harrisburg, PA 17105-3608
DIMENSIONS: mm		CHK K. WHITAKER 20-FEB-2001	
TOLERANCES UNLESS OTHERWISE SPECIFIED:		APVD C. JONES 20-FEB-2001	NAME VERTICAL SURFACE MOUNT HEADER ASSY TIN CONTACTS, WITHRU HOLE HOLDDOWNS, SINGLE ROW, MICRO MATE-N-LOK™
0 PLC ± 1 PLC ± 2 PLC ±0.13 3 PLC ± 4 PLC ± ANGLES ± FINISH SEE TABLE		PRODUCT SPEC - APPLICATION SPEC - WEIGHT -	
MATERIAL -	FINISH -	CUSTOMER DRAWING	SIZE A2 CAGE CODE 00779 DRAWING NO. C=1445052
			SCALE 5:1 SHEET 1 OF 1 REV B