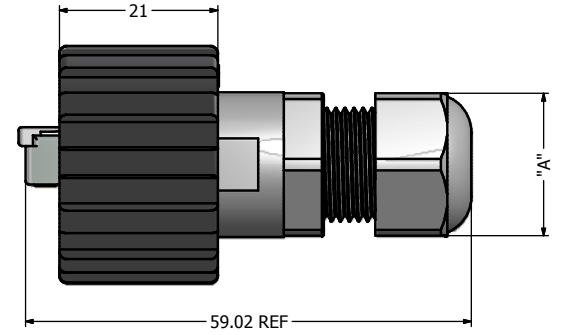
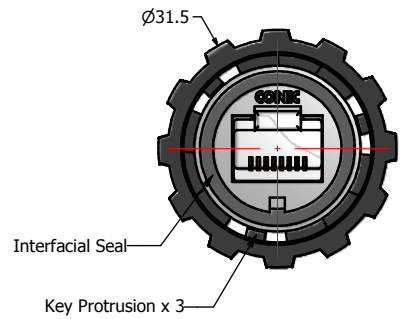
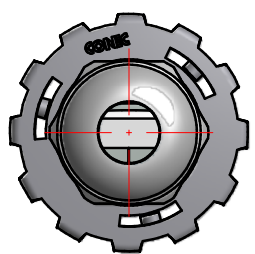
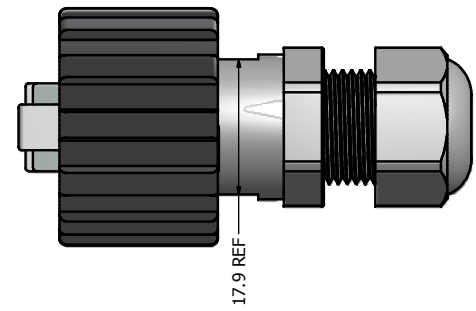
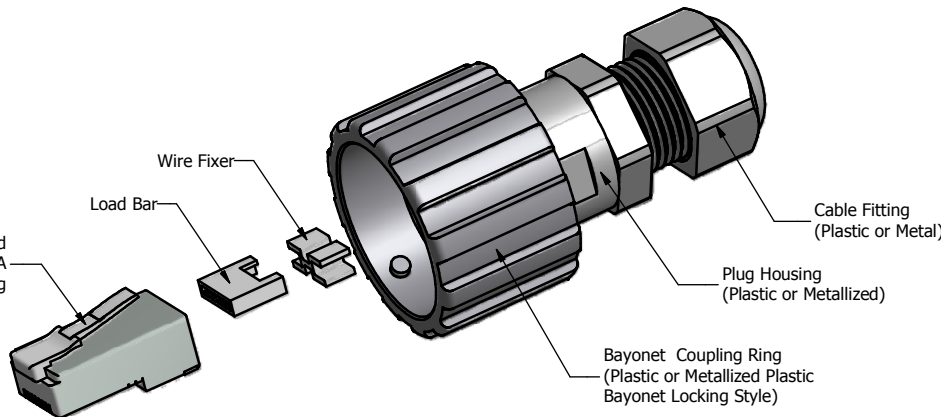


Shielded Cat. 6A RJ45 Plug

Load Bar

Wire Fixer



Notes:

1. Electrical Specifications:
 - Meets EIA/TIA-568-B.2-10 Cat.6A Channel Specification
 - Contact Resistance: 20mOhm max.
 - Insulation Resistance: 500MOhm min. @ 100 VDC
 - Current Rating: 1.2A max. at 25° C
 - Working Voltage: 100 VDC
 - DWV: 1000 VDC/60s Contact to Contact, 1500 VDC/60s Contact to Metal Shell
 - Operating Temperature: -40° C to +85° C
2. Material and Finish:
 - Bayonet Coupling Ring and Housing: Polyester (Black) or Metallized ABS, UL94 V-0 (Nickel Plated)
 - Interfacial Seal: Silicone, Color: White
 - Cable Fitting: PA (Black), UL94 V-0 or Brass, Nickel Plated
 - Cable Fitting Rubber Ring: NBR, Color: Black
 - Cat.6A RJ45 Plug Metal Shell: Copper Alloy, Nickel Plated
 - Cat.6A RJ45 Plug Plastic Housing: Clear Polycarbonate UL94 V-2
 - Cat.6A RJ45 Plug Contacts: Phosphor Bronze, Finish: 50u" Gold min. over Nickel
3. Cat.6A RJ45 Plug accepts both Stranded and Solid Cables with Outer Diameter of 4.83mm to 6.73mm
4. Plastic Version Cable Fitting accepts Cable Outer Diameter Range of 4mm to 8mm
5. Metal Version Cable Gland accepts Cable Outer Diameter Range of 4.5mm to 8mm
6. RoHS compliant
7. IP67 rated when fully mated with the appropriate mating connector

Directive 2002/95/EC RoHS Compliant

Version	"A"	Part Number
Plastic Version	18.9mm REF.	17-150234
Metallized Plastic Version	17.9mm REF.	17-150244

THIS DRAWING MAY NOT BE COPIED OR REPRODUCED IN ANY MANNER AND MAY NOT BE PASSED ON TO A THIRD PARTY WITHOUT WRITTEN PERMISSION. OWNERSHIP AND COPYRIGHT OF CONEC CORPORATION.	Customer:			 Autodesks Inventor	Scale: 1.5:1	Dim. in mm	
	Name	Title	Approval Date		Material: See Notes Title: RJ45 Plug Kit with shielded Cat. 6A RJ45 Plug Plastic or Metallized Plastic Version	Drawing No.: 17K1A268 Part No.: SEE PART NUMBER ABOVE	DIN A3 Sheet 1/1
				Tolerance Unless otherwise specified 0 PLC ±0.50 1 PLC ±0.38 2 PLC ±0.25 3 PLC ±0.10 ANGLES ±3°			
				2011 Date Name Draw. Jul. 06 Vincent Ke Appd. Jul. 06 J. Chaudry			
				Norm D-old			
				a original Rev. Changes Date Name			

Directive 2002/95/EC RoHS Compliant